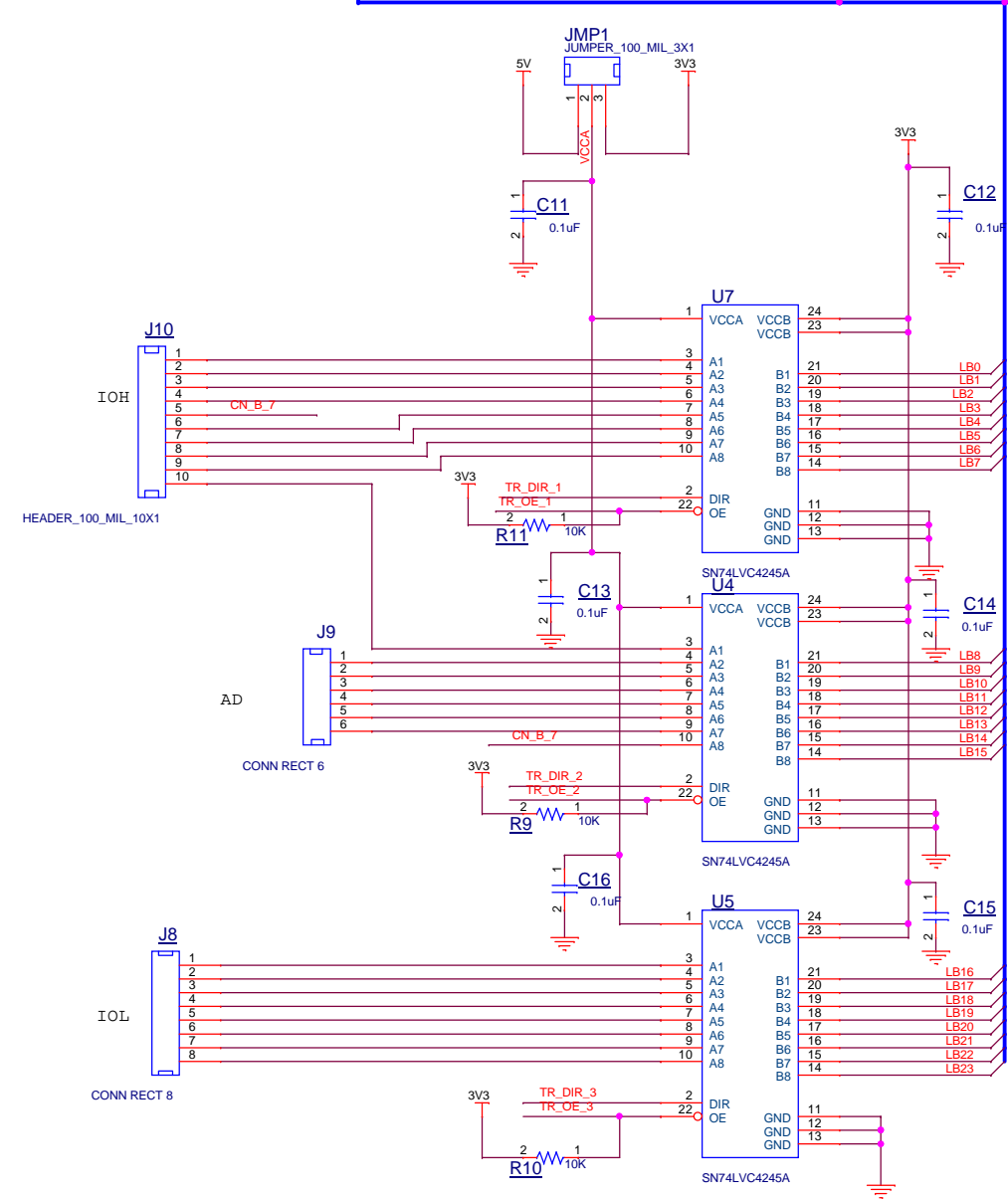
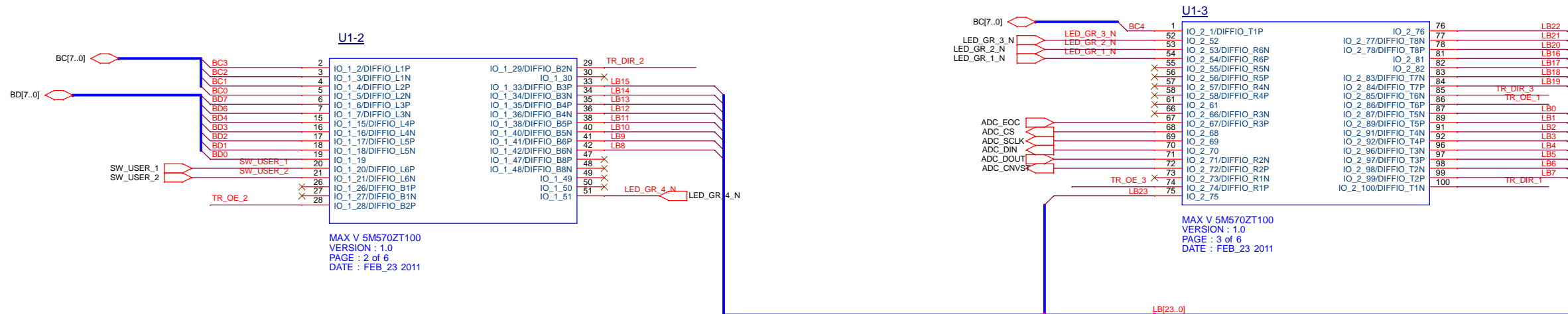
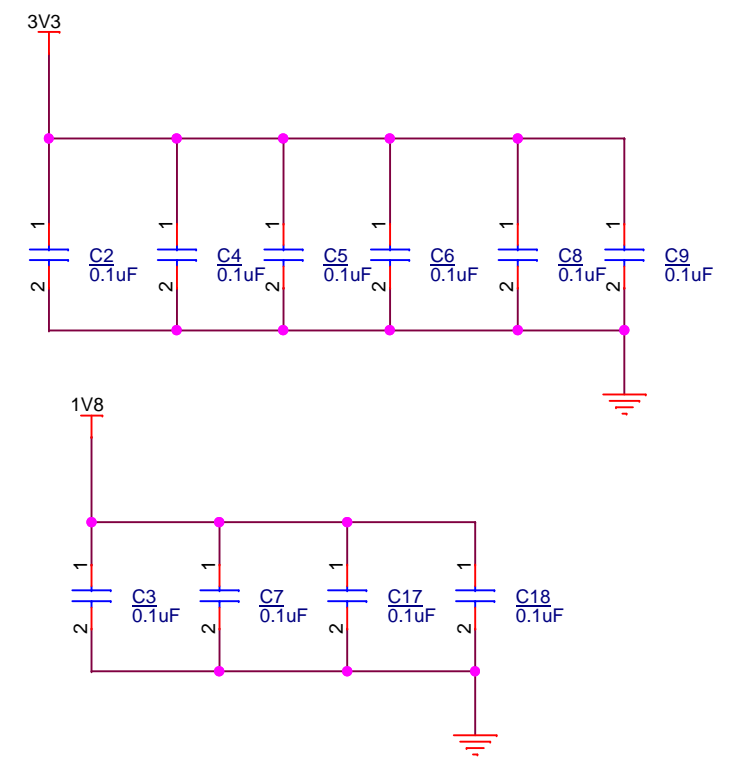
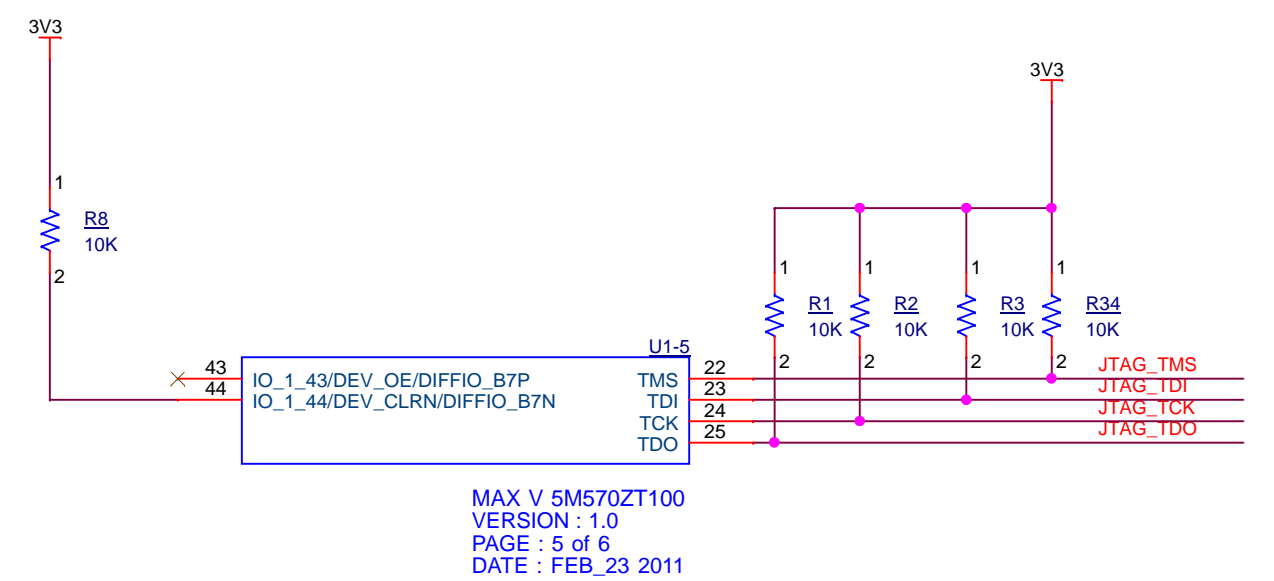
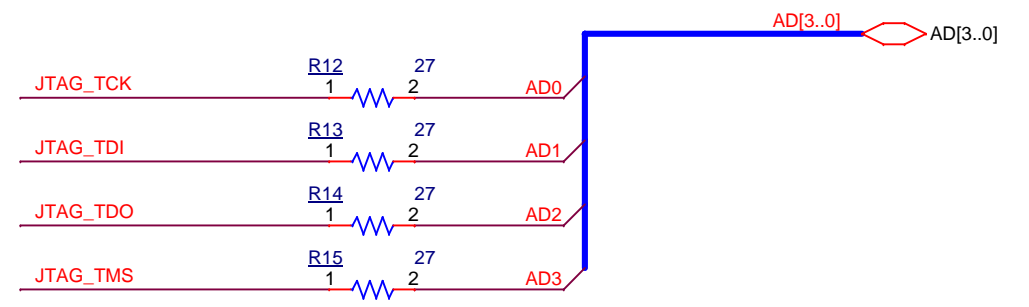
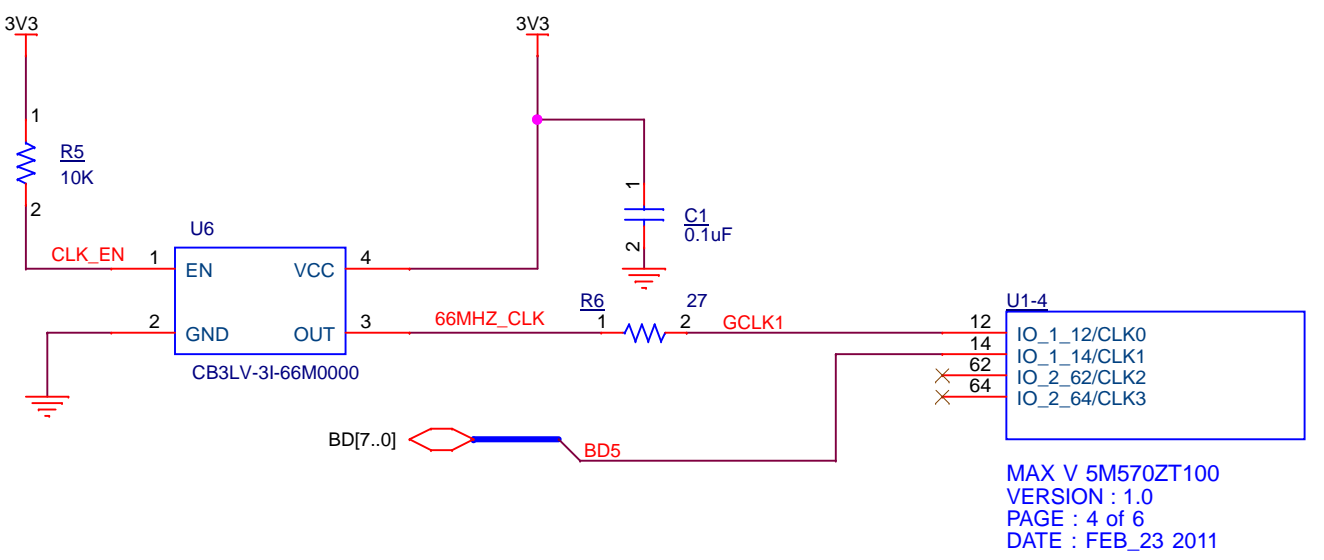
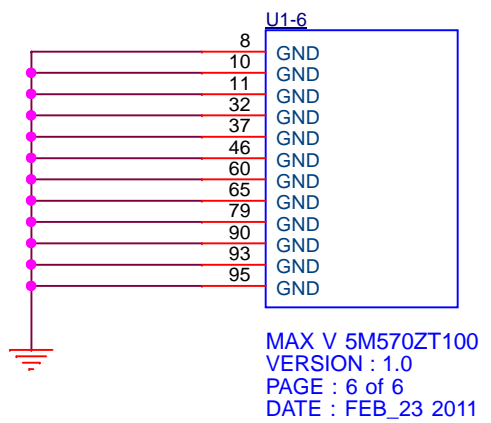
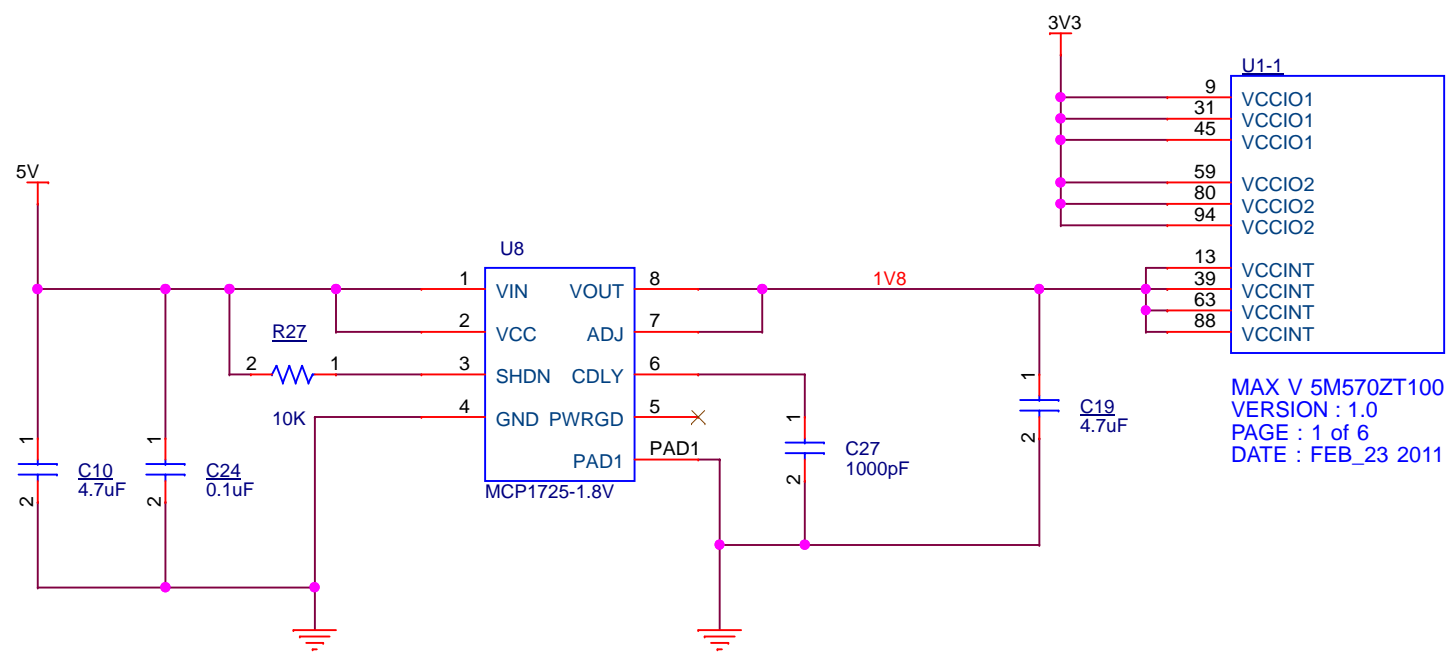


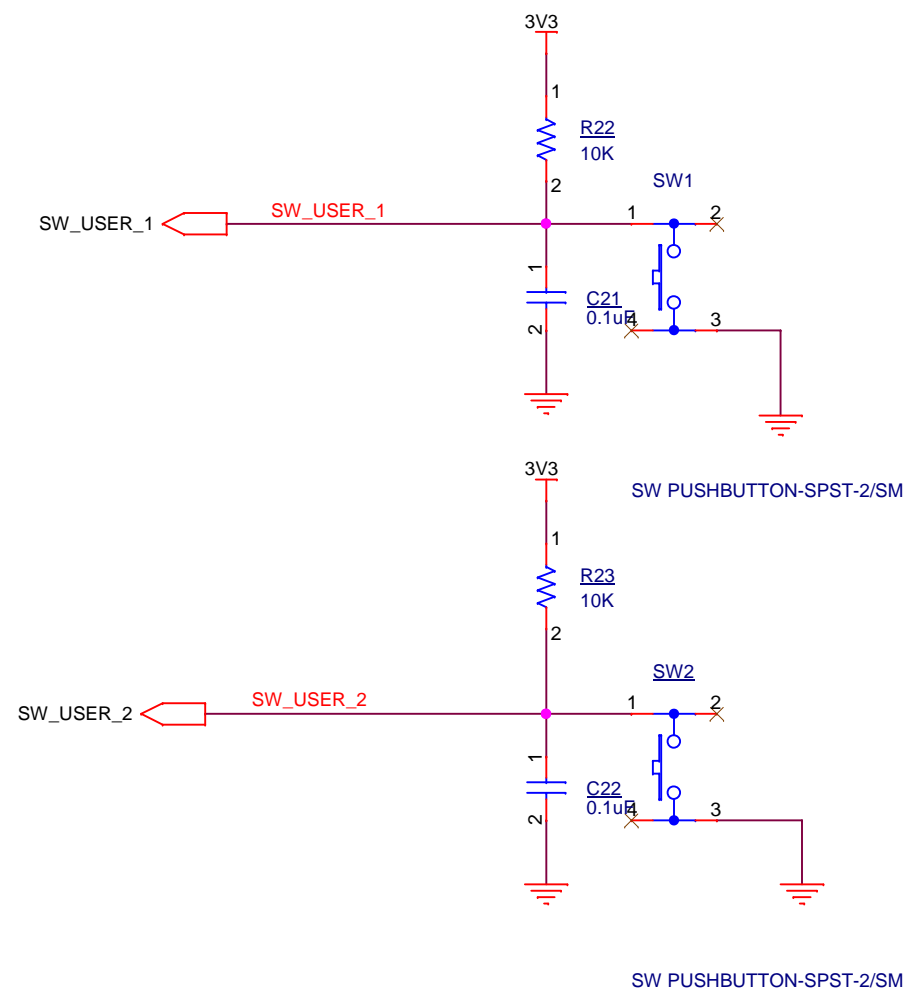
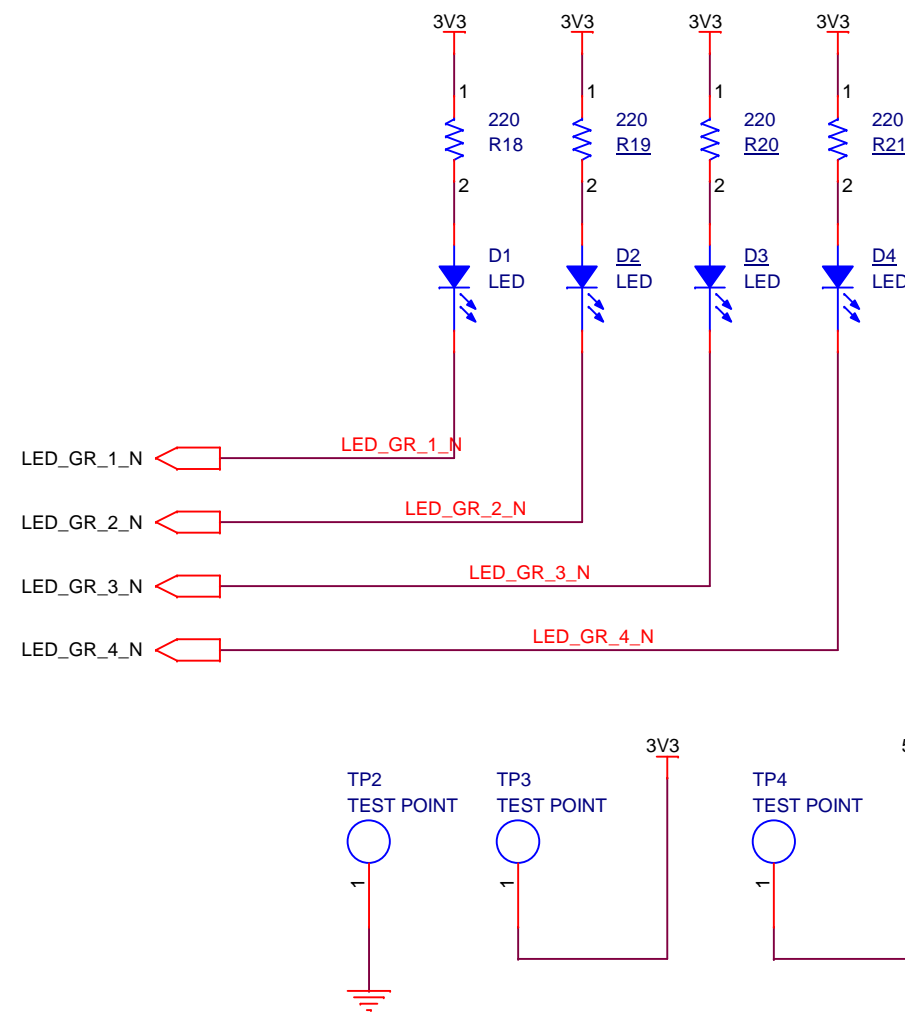
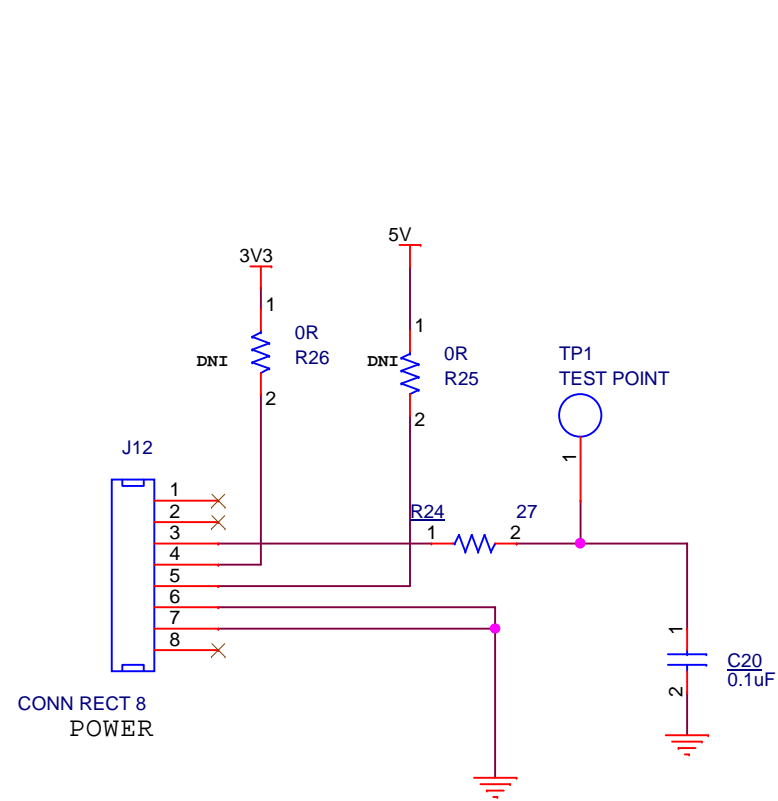
- NOTES
1. TWO LAYER BOARD
 2. GROUND FLOOD ON TOP AND BOTTOM LAYERS
 3. ADD GROUND ISLAND UNDER U6 AND R6
 4. ADD 3V3 ISLAND UNDER U1
 5. C2 THROUGH C10 MUST BE CLOSE TO U1
 6. GCLK1 AND GCLK2 MUST BE THE SAME LENGTH

Title		
EPT-5M57-AP-U2		
Size	Document Number	Rev
C	EARTH PEOPLE TECHNOLOGY	3
Date:	Monday, July 13, 2015	Sheet 1 of 5

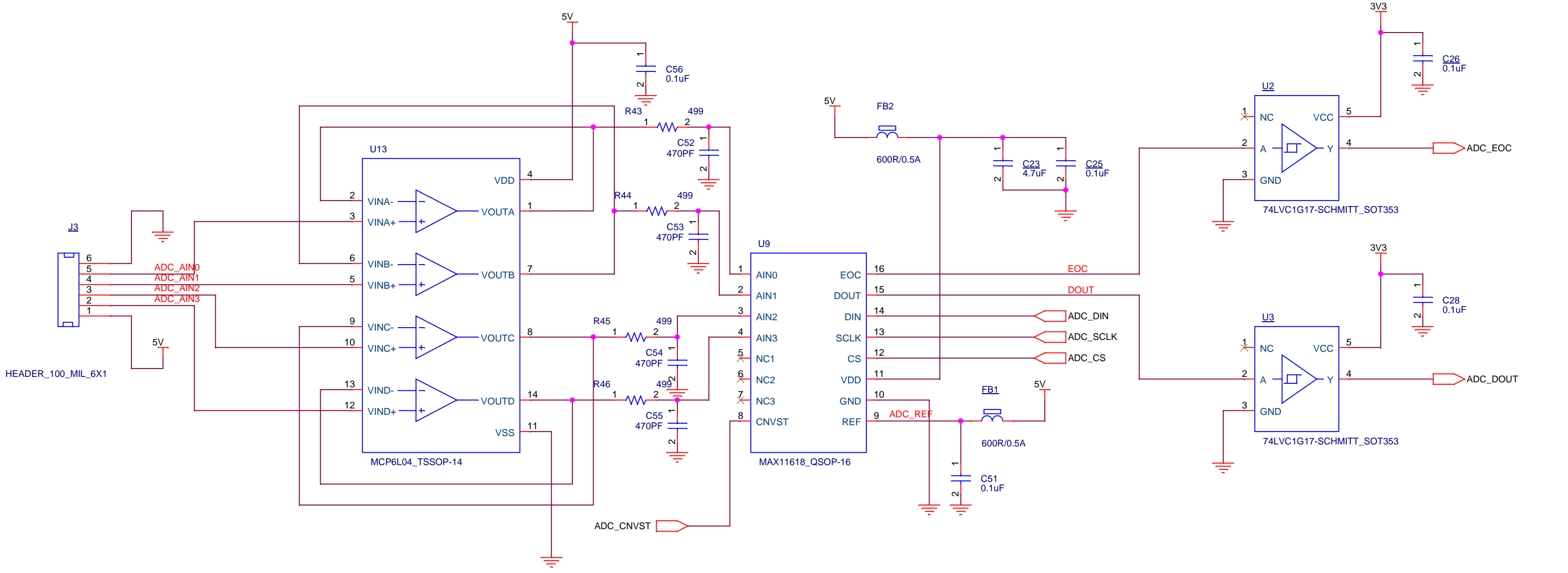




Title		
EPT-5M57-AP-U2		
Size	Document Number	Rev
B	EARTH PEOPLE TECHNOLOGY	3
Date:	Monday, July 13, 2015	Sheet 3 of 5



Title		
EPT-5M57-AP-U2		
Size	Document Number	Rev
B	EARTH PEOPLE TECHNOLOGY	3
Date:	Monday, July 13, 2015	Sheet 4 of 5



Title		
EPT-5M57-AP-U2		
Size	Document Number	Rev
B	EARTH PEOPLE TECHNOLOGY	3
Date:	Monday, July 13, 2015	Sheet 5 of 5