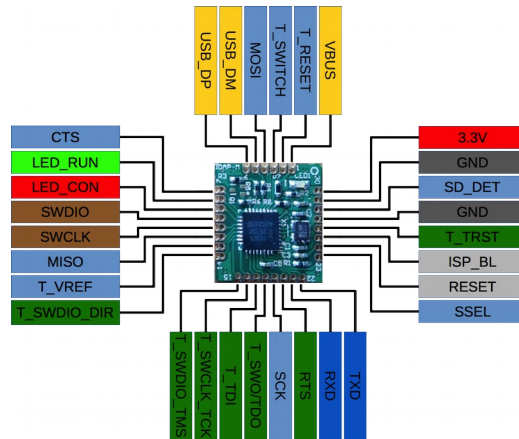


# IDAP-M

## CMSIS-DAP Debug JTAG Module



The IDAP-M is a low cost CMSIS-DAP debug JTAG on module with enhanced features. Designed to be integrated onboard of target MCU. Beside from full JTAG/SWD debug, it is a USB composite device providing a UART to USB bridge for the target MCU, mass storage device to program target by drag & drop. These features can turn the target device into mBed enable. It can also be used as an ultra low cost solution to production programming by integrating multiple modules for parallel programming. Besides from our proprietary firmware, BSP is provided for use with mBed.org Open Source CMSIS-DAP firmware which make it totally customizable.

Mbed.org CMSIS-DAP open source support :  
[https://github.com/I-SYST/CMSIS-DAP\\_IDAP-Link](https://github.com/I-SYST/CMSIS-DAP_IDAP-Link)

### TECHNICAL SUPPORT

Free technical support is provided via email to [support@i-syst.com](mailto:support@i-syst.com) and indirectly through tutorial blog post :  
<http://embeddedsoftdev.blogspot.ca/p/idap-link.html>

### SOFTWARE SUPPORT

Software library is provided as open source on Github :  
<https://github.com/I-SYST>

### CUSTOMIZATION

I-SYST can assist you in both software and hardware development: Custom base board, BSP customization, Firmware development, etc...

For more information please visit us at: <http://www.i-syst.com>

## Features

- Support both SWD & JTAG
- Supported by most IDE (Keil, Crossworks, CodeRed, Eclipse...)
- UART to USB bridge
- SPI interface for SD Card
- USB mass storage
- Drag & Drop flashing.
- Gang programming (requires multiple IDAP-M)
- mBed enable target MCU
- Dimension : 16x15mm

