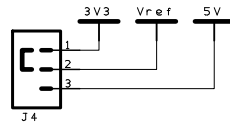
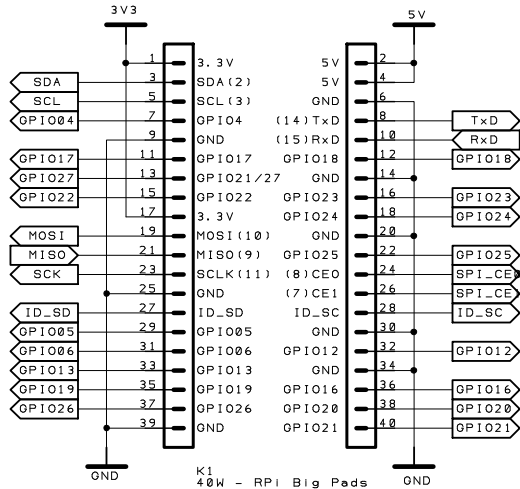
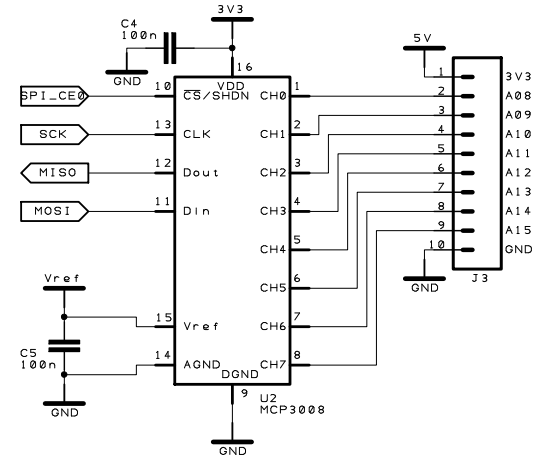
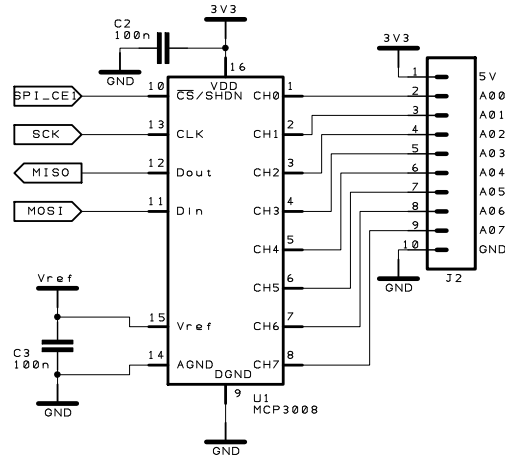
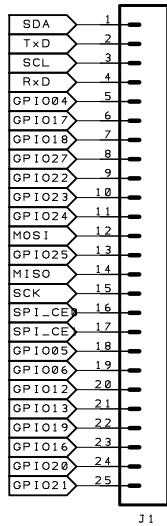
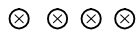


RPi Zero ADC16



OSHW
LOGO

CC3 by SA



E	D	C	B	A v0.1 08/12/15	Drawn TonyD	Check	Projection Do Not Scale		DTRONIXS.COM
Drn	Drn	Drn	Drn	Project Raspberry Pi Zero PIIO ADC 8/16ch Board		Client			
Chk	Chk	Chk	Chk	Title RPI0_PII0_ADC16	Filename RPI0_PII0_ADC16.sch	Drawing No. 314-4060	Sheet 1 of 1		