

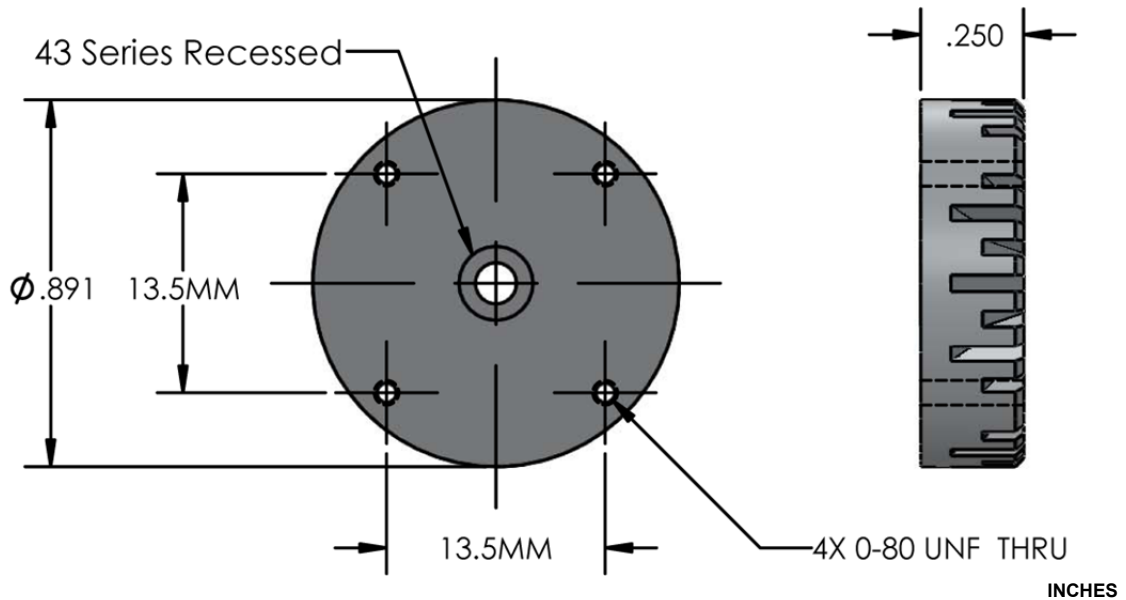
The GP-43-A Dissipater is a general purpose heat spreader designed for connection with 43 Series Power Pegs.

Features

- Precision made from solid 6061 aluminum in USA
- Nickel plated for long-lasting performance
- 1.29 square inches of fin surface
- 13.5MM bolt pattern fits most 17MM cooling fans

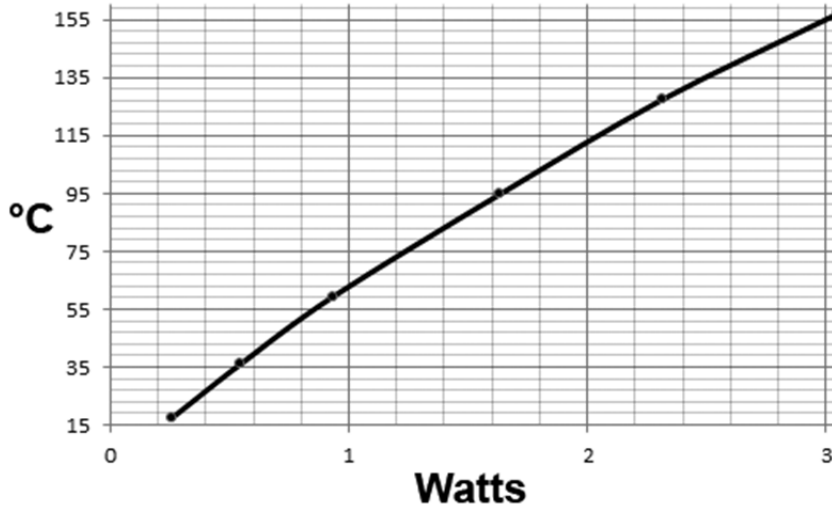
1. Specifications

Symbol	Parameter	Typical	Units
Θ_N	Thermal Resistance (natural convection)	58	$^{\circ}\text{C}/\text{W}$
Θ_{FC}	Thermal Resistance (0.7 CFM forced convection)	17	$^{\circ}\text{C}/\text{W}$
M	Mass	5.87	grams
C_{TH}	Heat Capacity	0.896	$\text{J}/(\text{g}^{\circ}\text{C})$
A_S	Exposed Surface Area	1.29	Inches ²
Surface plating		Nickel ASTM B733	



2. Characteristics

Rth - Natural Convection



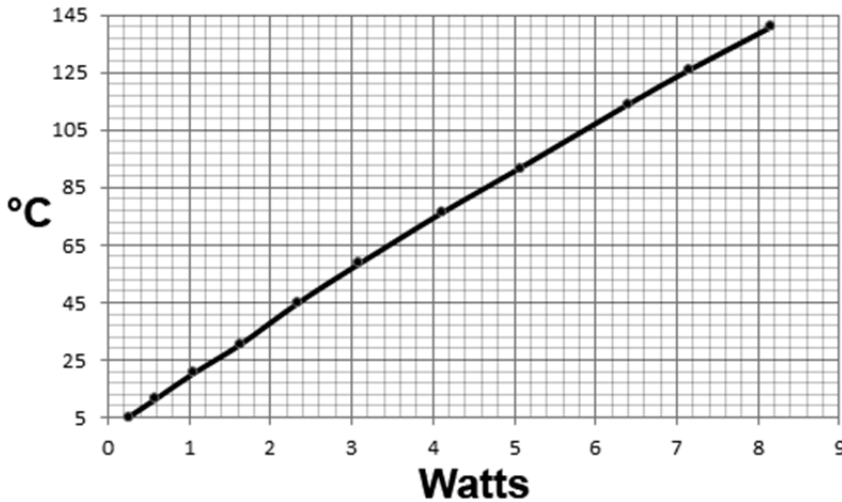
Conditions

PCB: None

Ambient Temp: 27°C

Dissipater suspended in air.

Rth - Forced Convection



Conditions

PCB: None

Ambient Temp: 27°C

Flow: 0.7 CFM

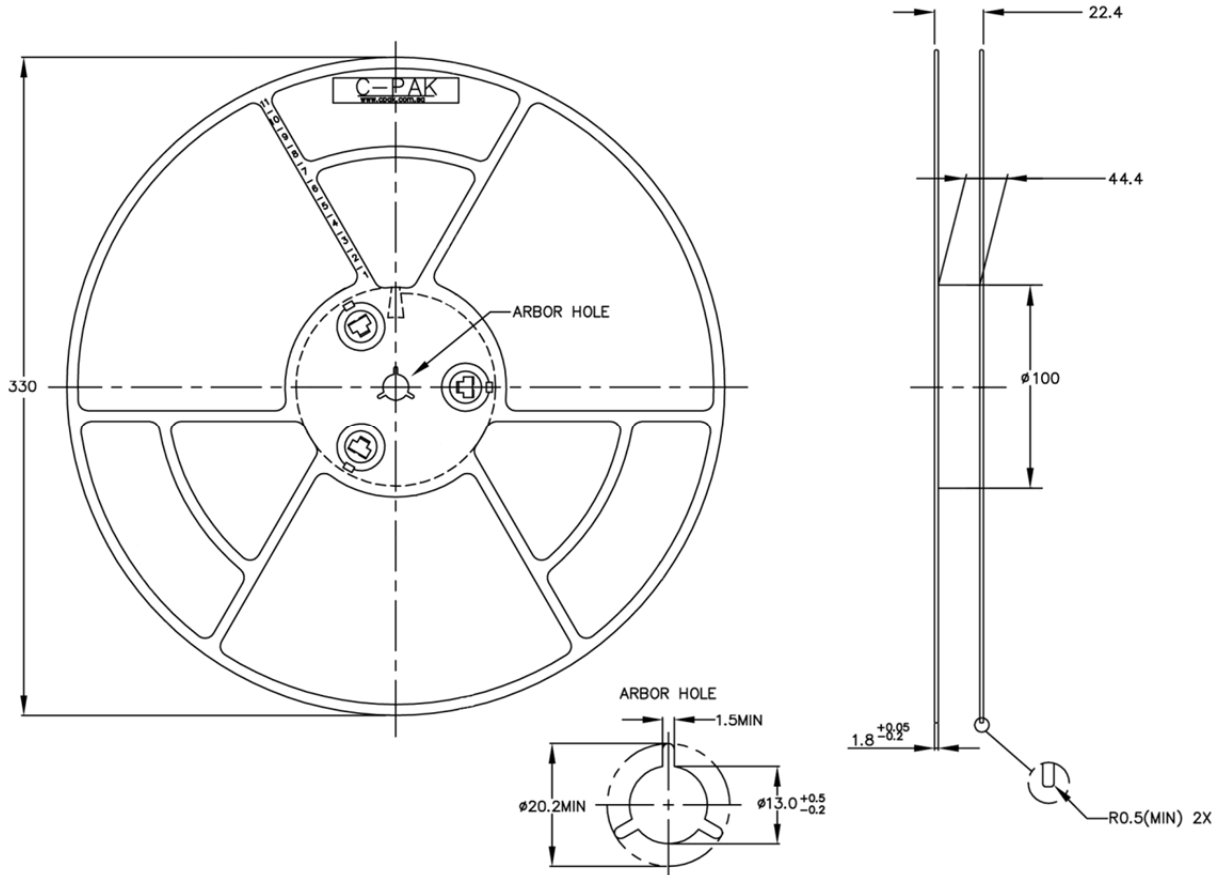
Fan Spacing: 2MM

Dissipater suspended in air with 17MM cooling fan attached.

3. Packaging

Reel Dimensions

UNIT : MM



Tape Dimensions

