

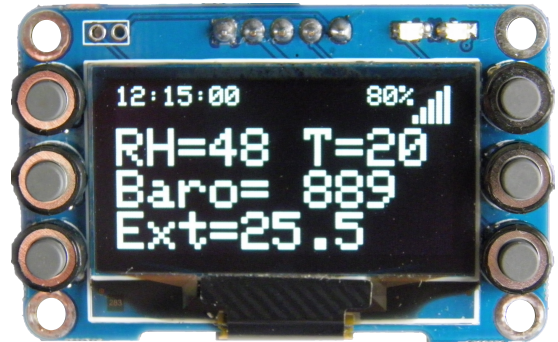
Module OLED 1,3 pouces I2C with six buttons and two LEDs

MBTech
ModularBoardTechnology



Description

Its small size, low power consumption, its integrated buttons, two LED, and its I2C interface, make this small LCD display ideal companion for your microcontroller based development boards. The 6 buttons and two LED's are connected to the Microchip I2C I/O port expander MCP23008. You easily find library for this display controller based on SH1106. The same size, it can easily plug on the ESP8266 module. The main features of OLED technology are high brightness, self-emission, high contrast ratio, thin outline, wide viewing angle, wide temperature range and low power consumption. It is available in 3 models, 3 buttons on the right, left 3 buttons and 3 buttons on the right and left (another key layout contact us).



LCD display features

- controller SH1106.
- OLED white on black.
- Size: 1.3 inches.
- Resolution: 128x64.
- Supply voltage 3.3 Volt.
- Low power consumption:
 - 170mW during normal operation all pixels on.
 - 5 Amps u sleep mode.
- Module Size 47 x 30 mm
- Active Area 29.42 × 14.7 mm
- I2C bus @ 400 kHz with two address 0x3C and 0x3D.
- Temperature -40 ° C to 70 ° C

MCP23008 features

- Low power consumption:
 - 1u Amp sleep mode.
- up to six buttons (GPIO GPIO-0-5)
- Two LEDs (GPIO GPIO-6 and-7).
- I2C bus @ 100 kHz, 400 kHz, 1.7MH, with 3 Address pins.
- configurable interruption.
- Temperature -40 ° C to 85 ° C

Module OLED 1,3 pouces I2C

www.m-b-tech.com
contact@m-b-tech.com



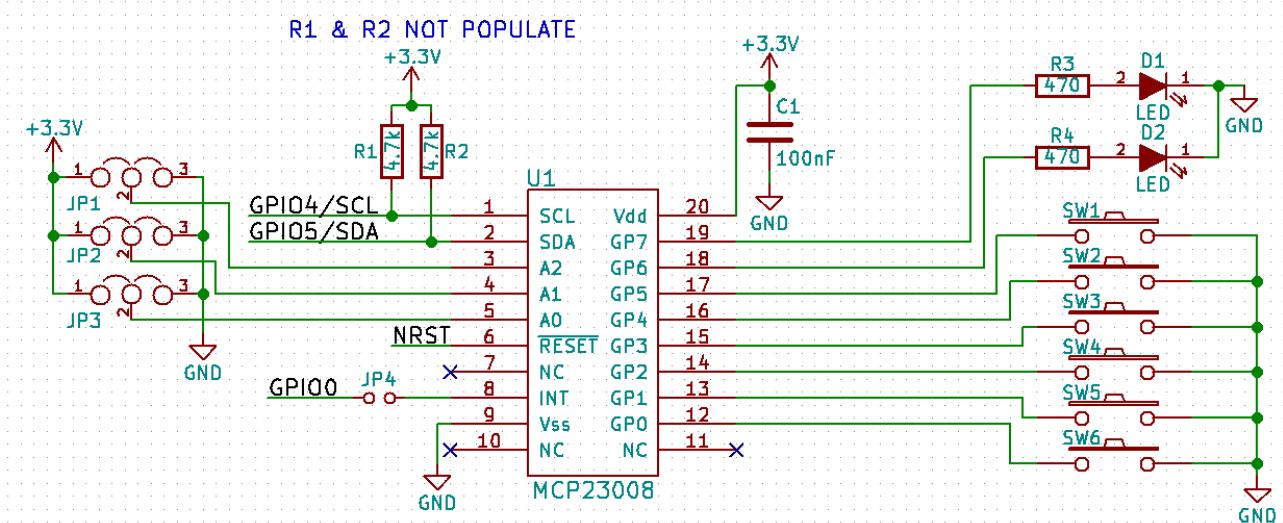
Module OLED 1,3 pouces I2C with six buttons and two LEDs



Connection Diagram

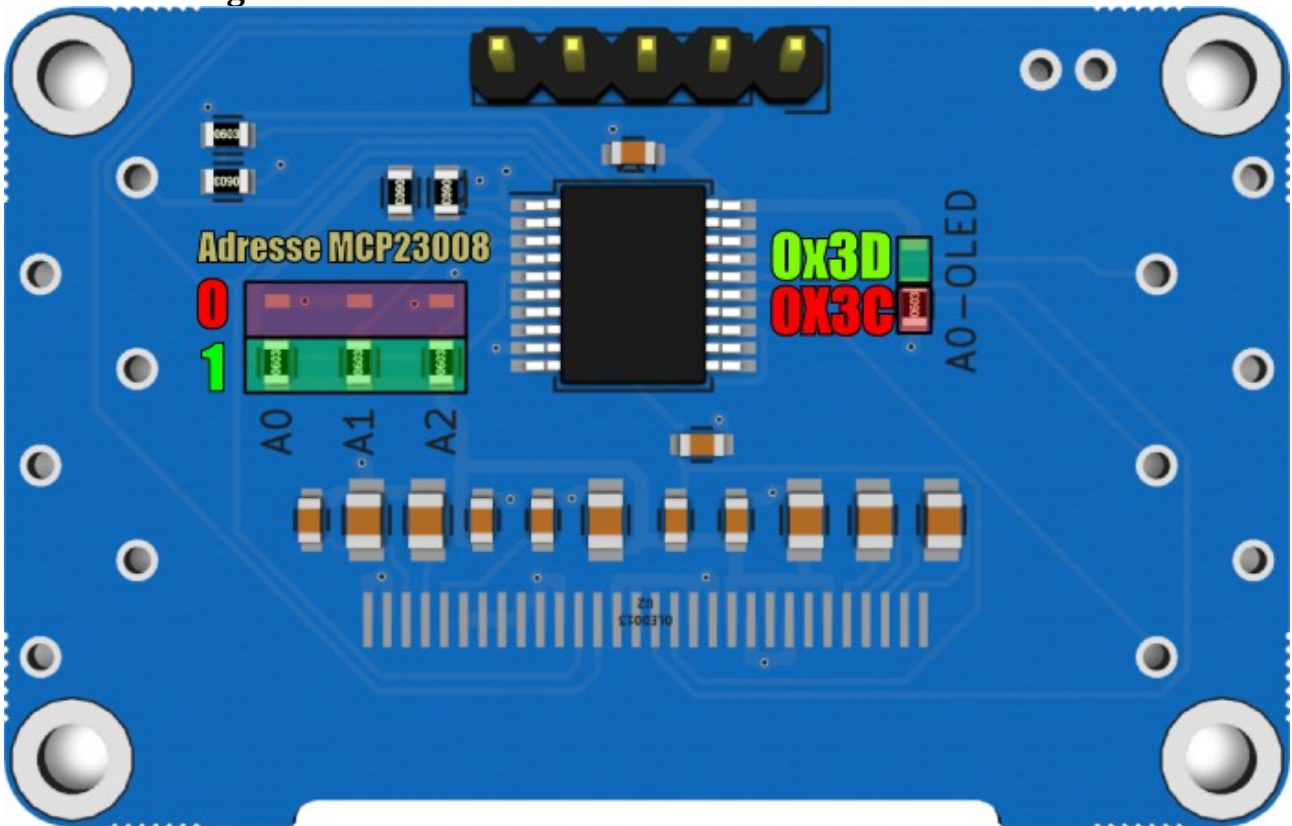


On board schematic for MCP23008

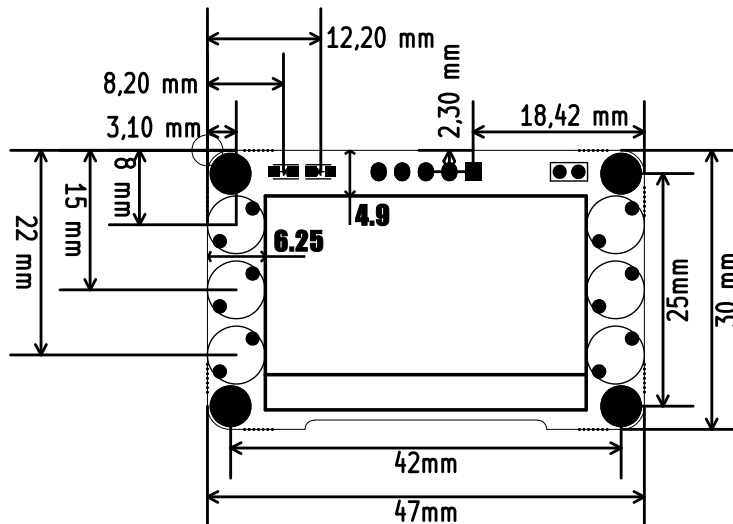




I2C addressing OLED and MCP23008



Drawings



the fixing holes diameter is 2.6 mm and the buttons diameter is 6.2 mm

