


SIGN	DATE	DESCRIPTION	APPROVER
	03.12.2012	Spec updated	Lin
THIS IS CAD DRAWING, DO NOT REVISE MANUALLY!!!			

Material

- Terminal body
- (metal housing): Brass(CuZn)
- Terminal screw: Steel Zinc plating "-" slot type
- Wire guard: Stainless steel
- Surface of solder tail: Tin plated
- Insulator (housing): Thermoplastic (UL94V-0)

Electrical UL/VDE

- Voltage rating: 250VAC/250VAC
- Current rating: 16A/16A
- Wire range: 0.5-2.5mm²
Solid wire(AWG): 14-26
Stranded wire(AWG): 14-26
- Torque: 2.6Lb-In/0.5Nm
- Screw: M3
- Wire strip length: 6-7mm
- Withstanding Voltage: 1.5KV/2KV
- Operating temperature: -40°C to +115°C
- Soldering temperature: 250°C±10°C/5 Sec
- Safety Approval: 

RoHS Compliant

PART NUMBER:

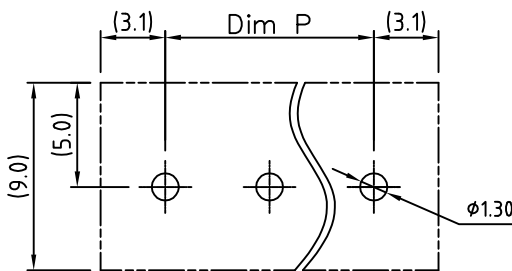
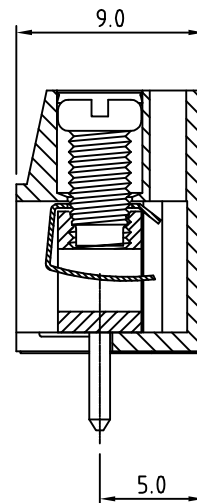
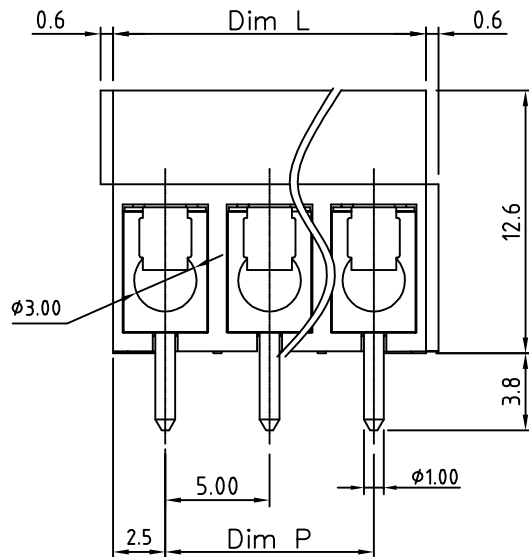
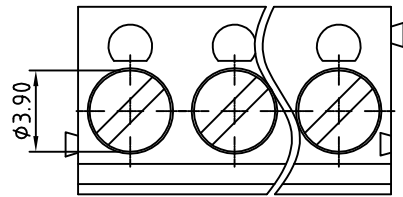
OSTTAXX0161

No. of Poles	COLOR
02 2 Poles	0: Black
03 3 Poles	2: Red
... ..	3: Orange
24 24 Poles	4: Yellow
	5: Green
	6: Blue (Standard)
	8: Grey

THESE DRAWINGS AND SPECIFICATIONS ARE THE PROPERTY OF ON-SHORE TECHNOLOGY, INC. AND SHALL NOT BE REPRODUCED, COPIED OR USED IN ANY MANNER WITHOUT THE PRIOR WRITTEN CONSENT OF ON-SHORE TECHNOLOGY, INC.



TITLE		OSTTA - 5.0mm series 2-Interlocks	
PART NO.	OSTTAXX0161	DWG NO.	OSTTAXX0161.DWG
APPROVED	CHECKED	DESIGNED	DRAWN
		Guoxue 2014.05.16	Guoxue 2014.05.16
SHEET: 01/01		UNIT: mm	Tolerance
		SCALE: NONE	X. ±0.50
		REV: G	X.X ±0.30
			X.XX ±0.10
			X° ±1°



RECOMMENDED PCB LAYOUT
TOP VIEW

N = Number of poles
Dim L = Nx5.0
Dim P = (N-1)x5.0

	Dim L	Dim P
2-6p	±0.15	±0.10
7-12p	±0.20	±0.20
13-18p	±0.30	±0.25
19-24p	±0.40	±0.30