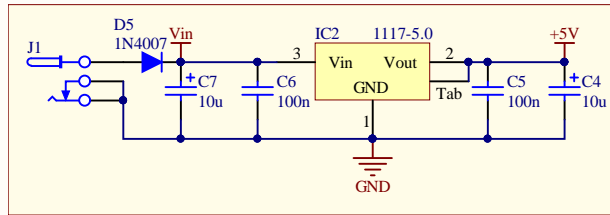
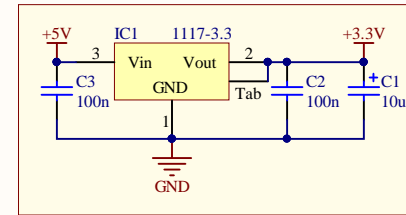


File name: Top_level.SchDoc		Author: MCUdude	
Project name: MightyCore_dev_board.PrjPcb		Board name: MightyBoard	
Rev: R3	Last edited: 25.03.2019	Page number: 1	Total pages: 4

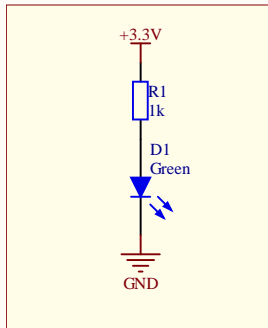
5V REGULATOR



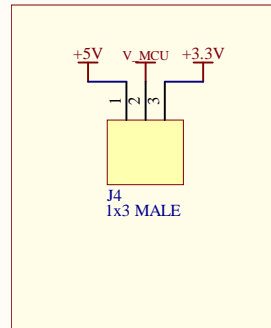
3.3V REGULATOR



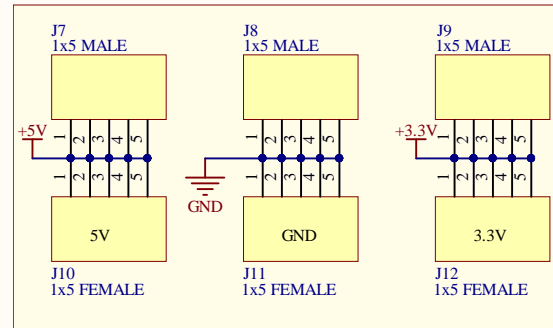
POWER LED



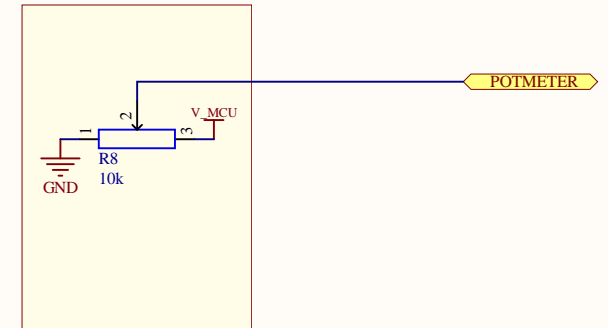
VCC SELECT



POWER BREAKOUT PINS

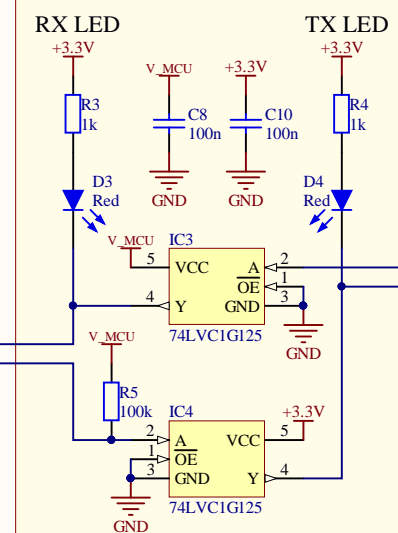


POTMETER

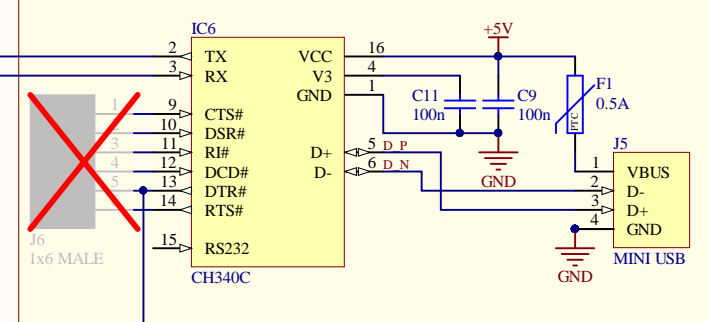


File name: Power.SchDoc		Author: MCUdude	
Project name: MightyCore_dev_board.PrjPcb		Board name: MightyBoard	
Rev: R3	Last edited: 25.03.2019	Page number: 2	Total pages: 4

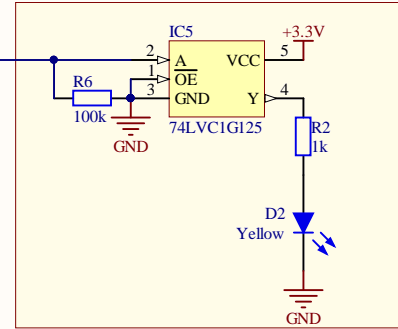
UART LEDS & BUFFERS



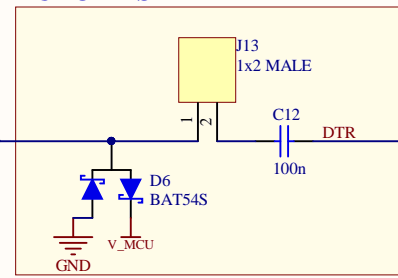
USB TO SERIAL



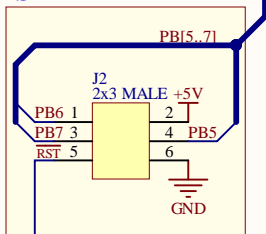
USER LED



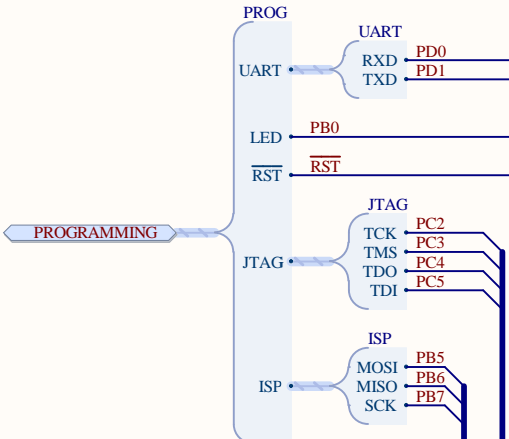
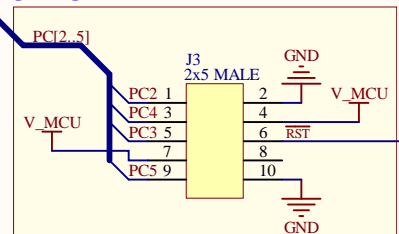
AUTO RESET



ISP HEADER

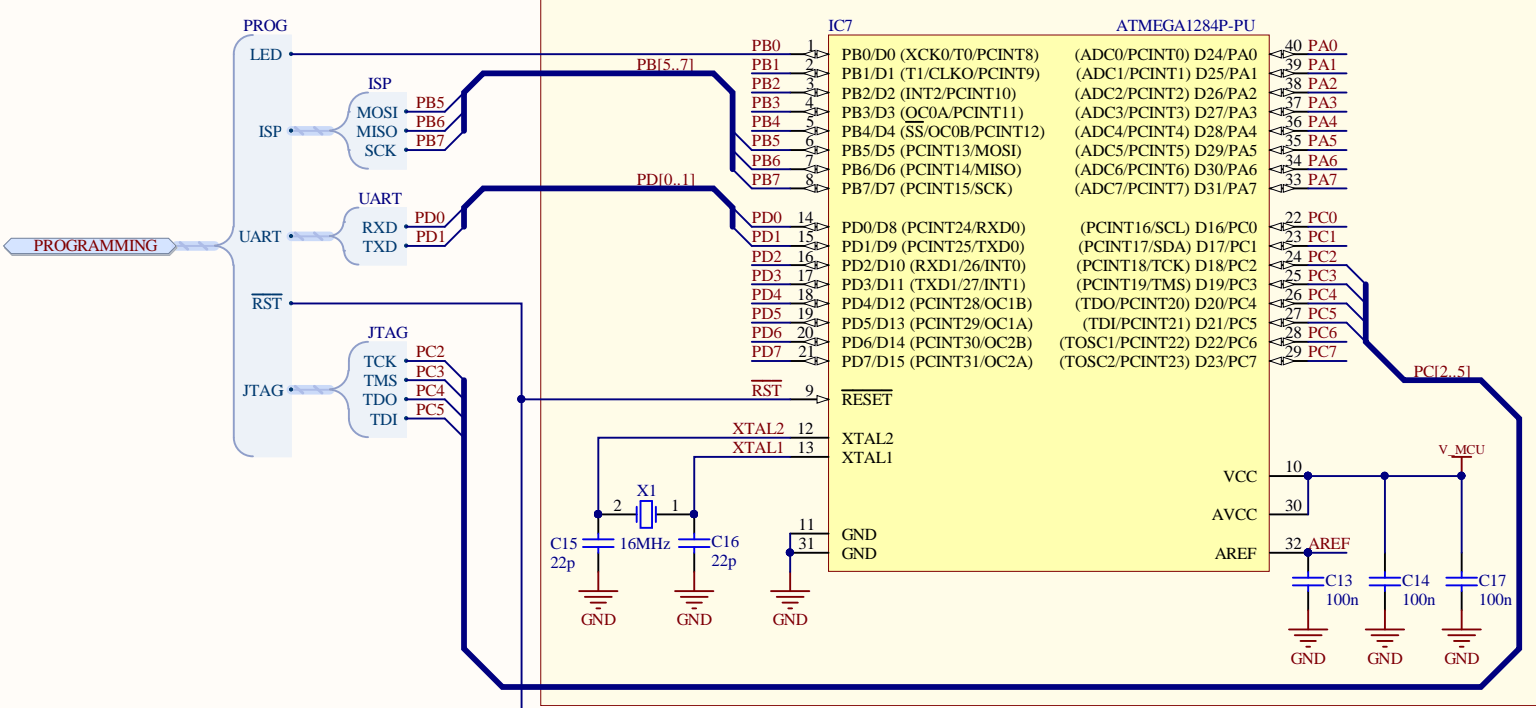


JTAG HEADER

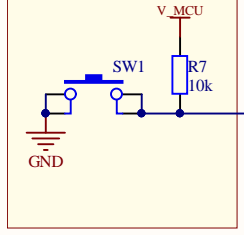


File name: Programming.SchDoc		Author: MCUdude	
Project name: MightyCore_dev_board.PrjPcb		Board name: MightyBoard	
Rev: R3	Last edited: 25.03.2019	Page number: 3	Total pages: 4

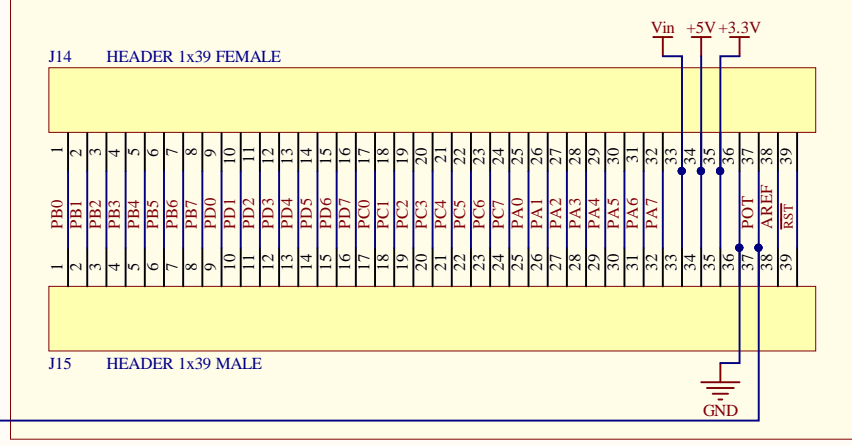
AVR MCU



RESET



IO BREAKOUT PINS



POTMETER

File name: MCU.SchDoc		Author: MCUdude	
Project name: MightyCore_dev_board.PrfPcb		Board name: MightyBoard	
Rev: R3	Last edited: 25.03.2019	Page number: 4	Total pages: 4