

## OPT3001 Ambient Light Sensor (ALS)

### 1 Features

- Precision Optical Filtering to Match Human Eye:
  - Rejects > 99% (typ) of IR
- Automatic Full-Scale Setting Feature Simplifies Software and Ensures Proper Configuration
- Measurements: 0.01 lux to 83k lux
- 23-Bit Effective Dynamic Range with Automatic Gain Ranging
- 12 Binary-Weighted Full-Scale Range Settings: < 0.2% (typ) Matching Between Ranges
- Low Operating Current: 1.8  $\mu$ A (typ)
- Operating Temperature Range:  $-40^{\circ}\text{C}$  to  $+85^{\circ}\text{C}$
- Wide Power-Supply Range: 1.6 V to 3.6 V
- 5.5-V Tolerant I/O
- Flexible Interrupt System
- Small-Form Factor: 2.0 mm  $\times$  2.0 mm  $\times$  0.65 mm

### 2 Applications

- Display Backlight Controls
- Lighting Control Systems
- Tablet and Notebook Computers
- Thermostats and Home Automation Appliances
- Point-of-Sale Terminals
- Outdoor Traffic and Street Lights
- Cameras

### 3 Description

The OPT3001 is a sensor that measures the intensity of visible light. The spectral response of the sensor tightly matches the photopic response of the human eye and includes significant infrared rejection.

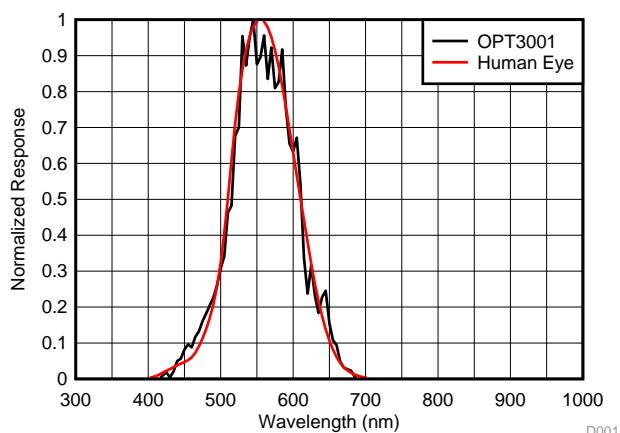
The OPT3001 is a single-chip lux meter, measuring the intensity of light as visible by the human eye. The precision spectral response and strong IR rejection of the device enables the OPT3001 to accurately meter the intensity of light as seen by the human eye regardless of light source. The strong IR rejection also aids in maintaining high accuracy when industrial design calls for mounting the sensor under dark glass for aesthetics. The OPT3001 is designed for systems that create light-based experiences for humans, and an ideal preferred replacement for photodiodes, photoresistors, or other ambient light sensors with less human eye matching and IR rejection.

Measurements can be made from 0.01 lux up to 83k lux without manually selecting full-scale ranges by using the built-in, full-scale setting feature. This capability allows light measurement over a 23-bit effective dynamic range.

The digital operation is flexible for system integration. Measurements can be either continuous or single-shot. The control and interrupt system features autonomous operation, allowing the processor to sleep while the sensor searches for appropriate wake-up events to report via the interrupt pin. The digital output is reported over an I<sup>2</sup>C- and SMBus-compatible, two-wire serial interface.

The low power consumption and low power-supply voltage capability of the OPT3001 enhance the battery life of battery-powered systems.

#### Spectral Response: The OPT3001 and Human Eye

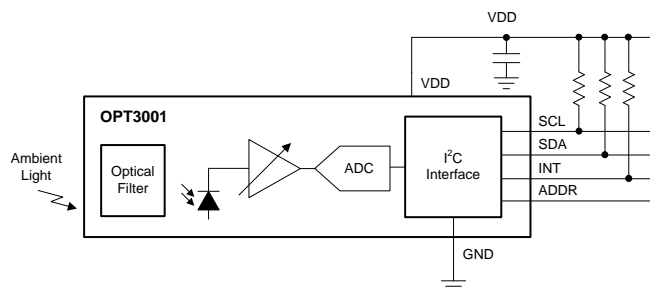


#### Device Information<sup>(1)</sup>

| PART NUMBER | PACKAGE  | BODY SIZE (NOM)   |
|-------------|----------|-------------------|
| OPT3001     | USON (6) | 2.00 mm x 2.00 mm |

(1) For all available packages, see the package option addendum at the end of the datasheet.

#### Block Diagram



## Table of Contents

|  |           |  |           |
|--|-----------|--|-----------|
| <b>1 Features</b> .....                        | <b>1</b>  | 7.5 Programming.....   | <b>16</b> |
| <b>2 Applications</b> .....                    | <b>1</b>  | 7.6 Register Maps.....   | <b>19</b> |
| <b>3 Description</b> .....                     | <b>1</b>  | <b>8 Application and Implementation</b> .....                    | <b>27</b> |
| <b>4 Revision History</b> .....                | <b>2</b>  | 8.1 Application Information.....                                 | <b>27</b> |
| <b>5 Pin Configuration and Functions</b> ..... | <b>3</b>  | 8.2 Typical Application .....                                    | <b>28</b> |
| <b>6 Specifications</b> .....                  | <b>4</b>  | 8.3 Do's and Don'ts .....  | <b>31</b> |
| 6.1 Absolute Maximum Ratings .....             | <b>4</b>  | <b>9 Power-Supply Recommendations</b> .....                      | <b>32</b> |
| 6.2 ESD Ratings.....                           | <b>4</b>  | <b>10 Layout</b> .....   | <b>33</b> |
| 6.3 Recommended Operating Conditions.....      | <b>4</b>  | 10.1 Layout Guidelines .....                                     | <b>33</b> |
| 6.4 Thermal Information .....                  | <b>4</b>  | 10.2 Layout Example .....  | <b>33</b> |
| 6.5 Electrical Characteristics.....            | <b>5</b>  | <b>11 Device and Documentation Support</b> .....                 | <b>34</b> |
| 6.6 Timing Requirements .....                  | <b>6</b>  | 11.1 Documentation Support .....                                 | <b>34</b> |
| 6.7 Typical Characteristics .....              | <b>7</b>  | 11.2 Trademarks .....  | <b>34</b> |
| <b>7 Detailed Description</b> .....            | <b>10</b> | 11.3 Electrostatic Discharge Caution.....                        | <b>34</b> |
| 7.1 Overview .....                             | <b>10</b> | 11.4 Glossary .....  | <b>34</b> |
| 7.2 Functional Block Diagram .....             | <b>10</b> | <b>12 Mechanical, Packaging, and Orderable Information</b> ..... | <b>34</b> |
| 7.3 Feature Description.....                   | <b>11</b> | 12.1 Soldering and Handling Recommendations.....                 | <b>34</b> |
| 7.4 Device Functional Modes.....               | <b>13</b> | 12.2 DNP (S-PDSO-N6) Mechanical Drawings .....                   | <b>35</b> |

## 4 Revision History

### Changes from Revision A (October 2014) to Revision B

Page

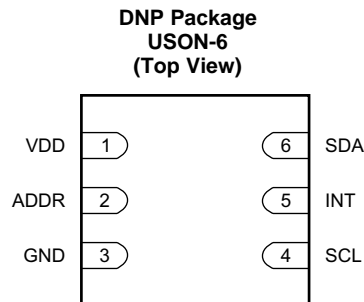
|   |           |
|---|-----------|
| • Changed Handling Ratings table to ESD Ratings table .....   | <b>4</b>  |
| • Added missing link to <i>Electrical Interface</i> section in <i>Serial Interface</i> section..... | <b>12</b> |
| • Added application information to <i>Application and Implementation</i> section .....              | <b>27</b> |
| • Added new documents to <i>Related Documentation</i> section .....                                 | <b>34</b> |
| • Added <i>Soldering and Handling Recommendations</i> section .....                                 | <b>34</b> |

### Changes from Original (July 2014) to Revision A

Page

|  |          |
|--|----------|
| • Changed data sheet from product preview to production data ..... | <b>1</b> |
|--|----------|

## 5 Pin Configuration and Functions



**Table 1. Pin Functions**

| PIN |      | I/O                  | DESCRIPTION  |
|-----|------|----------------------|--|
| NO. | NAME |                      |  |
| 1   | VDD  | Power                | Device power. Connect to a 1.6-V to 3.6-V supply.                                      |
| 2   | ADDR | Digital input        | Address pin. This pin sets the LSBs of the I <sup>2</sup> C address.                   |
| 3   | GND  | Power                | Ground   |
| 4   | SCL  | Digital input        | I <sup>2</sup> C clock. Connect with a 10-kΩ resistor to a 1.6-V to 5.5-V supply.      |
| 5   | INT  | Digital output       | Interrupt output open-drain. Connect with a 10-kΩ resistor to a 1.6-V to 5.5-V supply. |
| 6   | SDA  | Digital input/output | I <sup>2</sup> C data. Connect with a 10-kΩ resistor to a 1.6-V to 5.5-V supply.       |

## 6 Specifications

### 6.1 Absolute Maximum Ratings<sup>(1)</sup>

|                      |                                | MIN  | MAX                 | UNIT |
|----------------------|--------------------------------|------|---------------------|------|
| Voltage              | VDD to GND                     | −0.5 | 6                   | V    |
|                      | SDA, SCL, INT, and ADDR to GND | −0.5 | 6                   | V    |
| Current into any pin |                                |      | 10                  | mA   |
| Temperature          | Junction                       |      | 150                 | °C   |
|                      | Storage, T <sub>stg</sub>      | −65  | +150 <sup>(2)</sup> | °C   |

- (1) Stresses beyond those listed under *Absolute Maximum Ratings* may cause permanent damage to the device. These are stress ratings only, and do not imply functional operation of the device at these or any other conditions beyond those indicated under *Recommended Operating Conditions*. Exposure to absolute-maximum-rated conditions for extended periods may affect device reliability.
- (2) Long exposure to temperatures higher than 105°C can cause package discoloration, spectral distortion, and measurement inaccuracy.

### 6.2 ESD Ratings

|                    |                         |  | VALUE | UNIT |
|--------------------|-------------------------|--|-------|------|
| V <sub>(ESD)</sub> | Electrostatic discharge | Human-body model (HBM), per ANSI/ESDA/JEDEC JS-001 <sup>(1)</sup>              | ±2000 | V    |
|                    |                         | Charged-device model (CDM), per JEDEC specification JESD22-C101 <sup>(2)</sup> | ±500  |      |

- (1) JEDEC document JEP155 states that 500-V HBM allows safe manufacturing with a standard ESD control process.
- (2) JEDEC document JEP157 states that 250-V CDM allows safe manufacturing with a standard ESD control process.

### 6.3 Recommended Operating Conditions

|                                | MIN | NOM | MAX | UNIT |
|--------------------------------|-----|-----|-----|------|
| Operating temperature          | −40 |     | 85  | °C   |
| Operating power-supply voltage | 1.6 |     | 3.6 | V    |

### 6.4 Thermal Information

| THERMAL METRIC <sup>(1)</sup> |  | OPT3001    | UNIT |
|-------------------------------|--|------------|------|
|                               |  | DNP (USON) |      |
|                               |  | 6 PINS     |      |
| R <sub>θJA</sub>              | Junction-to-ambient thermal resistance       | 71.2       | °C/W |
| R <sub>θJC(top)</sub>         | Junction-to-case (top) thermal resistance    | 45.7       |      |
| R <sub>θJB</sub>              | Junction-to-board thermal resistance         | 42.2       |      |
| Ψ <sub>JT</sub>               | Junction-to-top characterization parameter   | 2.4        |      |
| Ψ <sub>JB</sub>               | Junction-to-board characterization parameter | 42.8       |      |
| R <sub>θJC(bot)</sub>         | Junction-to-case (bottom) thermal resistance | 17.0       |      |

- (1) For more information about traditional and new thermal metrics, see the *IC Package Thermal Metrics* application report, [SPRA953](http://www.ti.com/lit/an/spra953).

## 6.5 Electrical Characteristics

At  $T_A = 25^\circ\text{C}$ ,  $V_{DD} = 3.3\text{ V}$ , 800-ms conversion time ( $CT = 1$ )<sup>(1)</sup>, automatic full-scale range ( $RN[3:0] = 1100b$ )<sup>(1)</sup>, white LED, and normal-angle incidence of light, unless otherwise specified.

| PARAMETER   | TEST CONDITIONS   | MIN  | TYP   | MAX                 | UNIT               |    |
|---|---|--|---|---------------------|--------------------|----|
| <b>OPTICAL</b>  |   |  |   |                     |                    |    |
| Peak irradiance spectral responsivity                       |   |  | 550   |                     | nm                 |    |
| Resolution (LSB)  | Lowest full-scale range, $RN[3:0] = 0000b$ <sup>(1)</sup>   |  | 0.01  |                     | lux                |    |
| Full-scale illuminance                                      |   |  | 83865.6   |                     | lux                |    |
| Measurement output result                                   | 0.64 lux per ADC code, 2620.80 lux full-scale ( $RN[3:0] = 0110$ ) <sup>(1)</sup> , 2000 lux input <sup>(2)</sup> | 2812   | 3125  | 3437                | ADC codes          |    |
|   |   | 1800   | 2000  | 2200                | lux                |    |
| Relative accuracy between gain ranges <sup>(3)</sup>        |   |  | 0.2%  |                     |                    |    |
| Infrared response (850 nm) <sup>(2)</sup>                   |   |  | 0.2%  |                     |                    |    |
| Light source variation (incandescent, halogen, fluorescent) | Bare device, no cover glass   |  | 4%  |                     |                    |    |
| Linearity   | Input illuminance > 40 lux  |  | 2%  |                     |                    |    |
|   | Input illuminance < 40 lux  |  | 5%  |                     |                    |    |
| Measurement drift across temperature                        | Input illuminance = 2000 lux  |  | 0.01  |                     | %/°C               |    |
| Dark condition, ADC output                                  | 0.01 lux per ADC code   |  | 0   | 3                   | ADC codes          |    |
|   |   |  | 0   | 0.03                | lux                |    |
| Half-power angle  | 50% of full-power reading   |  | 47  |                     | degrees            |    |
| PSRR  | Power-supply rejection ratio  | $V_{DD}$ at 3.6 V and 1.6 V                                | 0.1   |                     | %/V <sup>(4)</sup> |    |
| <b>POWER SUPPLY</b>   |   |  |   |                     |                    |    |
| $V_{DD}$  | Operating range   |  | 1.6   | 3.6                 | V                  |    |
| $V_{PC}$  | Operating range of I <sup>2</sup> C pull-up resistor  | I <sup>2</sup> C pull-up resistor, $V_{DD} \leq V_{PC}$    | 1.6   | 5.5                 | V                  |    |
| $I_Q$   | Quiescent current   | Dark   | Active, $V_{DD} = 3.6\text{ V}$                                     | 1.8                 | 2.5                | μA |
|   |   |  | Shutdown ( $M[1:0] = 00$ ) <sup>(1)</sup> , $V_{DD} = 3.6\text{ V}$ | 0.3                 | 0.47               | μA |
|   |   | Full-scale lux   | Active, $V_{DD} = 3.6\text{ V}$                                     | 3.7                 |                    | μA |
|   |   |  | Shutdown, ( $M[1:0] = 00$ ) <sup>(1)</sup>                          | 0.4                 |                    | μA |
| POR   | Power-on-reset threshold  | $T_A = 25^\circ\text{C}$                                   | 0.8   |                     | V                  |    |
| <b>DIGITAL</b>  |   |  |   |                     |                    |    |
|   | I/O pin capacitance   |  | 3   |                     | pF                 |    |
|   | Total integration time <sup>(5)</sup>   | ( $CT = 1$ ) <sup>(1)</sup> , 800-ms mode, fixed lux range | 720   | 800                 | 880                | ms |
|   |   | ( $CT = 0$ ) <sup>(1)</sup> , 100-ms mode, fixed lux range | 90  | 100                 | 110                | ms |
| $V_{IL}$  | Low-level input voltage (SDA, SCL, and ADDR)  |  | 0   | $0.3 \times V_{DD}$ | V                  |    |
| $V_{IH}$  | High-level input voltage (SDA, SCL, and ADDR)   |  | $0.7 \times V_{DD}$   | 5.5                 | V                  |    |
| $I_{IL}$  | Low-level input current (SDA, SCL, and ADDR)  |  | 0.01  | 0.25 <sup>(6)</sup> | μA                 |    |
| $V_{OL}$  | Low-level output voltage (SDA and INT)  | $I_{OL} = 3\text{ mA}$                                     |   | 0.32                | V                  |    |
| $I_{ZH}$  | Output logic high, high-Z leakage current (SDA, INT)  | Pin at $V_{DD}$  | 0.01  | 0.25 <sup>(6)</sup> | μA                 |    |
| <b>TEMPERATURE</b>  |   |  |   |                     |                    |    |
|   | Specified temperature range   |  | -40   | 85                  | °C                 |    |

(1) Refers to a control field within the configuration register.

(2) Tested with the white LED calibrated to 2k lux and an 850-nm LED.

(3) Characterized by measuring fixed near-full-scale light levels on the higher adjacent full-scale range setting.

(4) PSRR is the percent change of the measured lux output from its current value, divided by the change in power supply voltage, as characterized by results from 3.6-V and 1.6-V power supplies.

(5) The conversion time, from start of conversion until the data are ready to be read, is the integration time plus 3 ms.

(6) The specified leakage current is dominated by the production test equipment limitations. Typical values are much smaller.

### 6.6 Timing Requirements<sup>(1)</sup>

|                                       |  | MIN  | TYP | MAX | UNIT |
|---------------------------------------|--|------|-----|-----|------|
| <b>I<sup>2</sup>C FAST MODE</b>       |  |      |     |     |      |
| f <sub>SCL</sub>                      | SCL operating frequency  | 0.01 |     | 0.4 | MHz  |
| t <sub>BUF</sub>                      | Bus free time between stop and start   | 1300 |     |     | ns   |
| t <sub>HDSTA</sub>                    | Hold time after repeated start   | 600  |     |     | ns   |
| t <sub>SUSTA</sub>                    | Setup time for repeated start  | 600  |     |     | ns   |
| t <sub>SUSTO</sub>                    | Setup time for stop  | 600  |     |     | ns   |
| t <sub>HDDAT</sub>                    | Data hold time   | 20   |     | 900 | ns   |
| t <sub>SUDAT</sub>                    | Data setup time  | 100  |     |     | ns   |
| t <sub>LOW</sub>                      | SCL clock low period   | 1300 |     |     | ns   |
| t <sub>HIGH</sub>                     | SCL clock high period  | 600  |     |     | ns   |
| t <sub>RC</sub> and t <sub>FC</sub>   | Clock rise and fall time   |      |     | 300 | ns   |
| t <sub>RD</sub> and t <sub>FD</sub>   | Data rise and fall time  |      |     | 300 | ns   |
| t <sub>TIMEO</sub>                    | Bus timeout period. If the SCL line is held low for this duration of time, the bus state machine is reset. |      | 28  |     | ms   |
| <b>I<sup>2</sup>C HIGH-SPEED MODE</b> |  |      |     |     |      |
| f <sub>SCL</sub>                      | SCL operating frequency  | 0.01 |     | 2.6 | MHz  |
| t <sub>BUF</sub>                      | Bus free time between stop and start   | 160  |     |     | ns   |
| t <sub>HDSTA</sub>                    | Hold time after repeated start   | 160  |     |     | ns   |
| t <sub>SUSTA</sub>                    | Setup time for repeated start  | 160  |     |     | ns   |
| t <sub>SUSTO</sub>                    | Setup time for stop  | 160  |     |     | ns   |
| t <sub>HDDAT</sub>                    | Data hold time   | 20   |     | 140 | ns   |
| t <sub>SUDAT</sub>                    | Data setup time  | 20   |     |     | ns   |
| t <sub>LOW</sub>                      | SCL clock low period   | 240  |     |     | ns   |
| t <sub>HIGH</sub>                     | SCL clock high period  | 60   |     |     | ns   |
| t <sub>RC</sub> and t <sub>FC</sub>   | Clock rise and fall time   |      |     | 40  | ns   |
| t <sub>RD</sub> and t <sub>FD</sub>   | Data rise and fall time  |      |     | 80  | ns   |
| t <sub>TIMEO</sub>                    | Bus timeout period. If the SCL line is held low for this duration of time, the bus state machine is reset. |      | 28  |     | ms   |

(1) All timing parameters are referenced to low and high voltage thresholds of 30% and 70%, respectively, of final settled value.

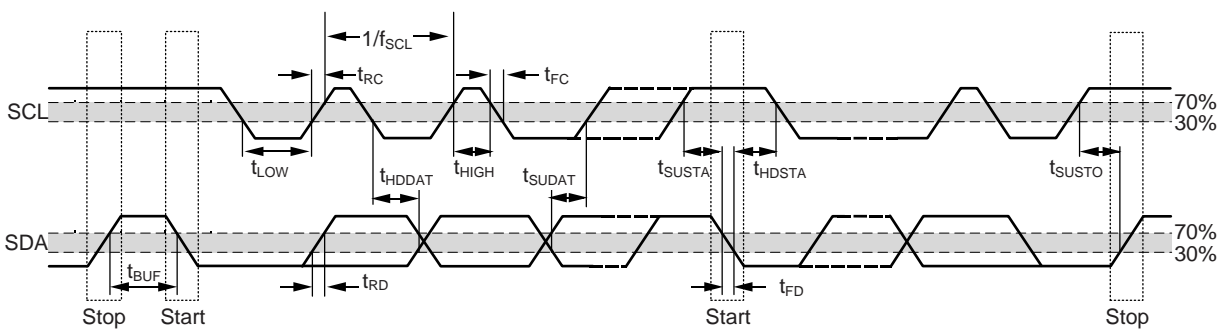
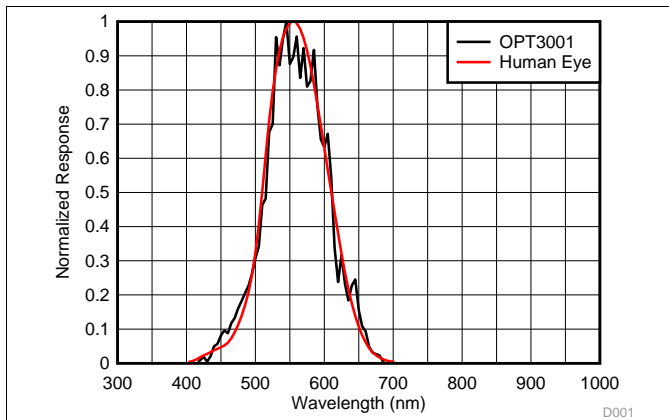


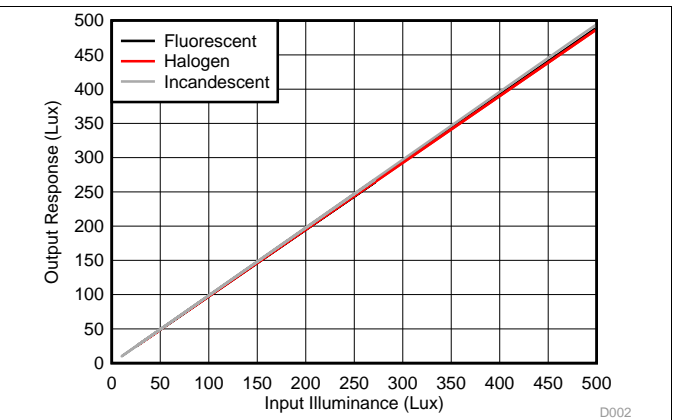
Figure 1. I<sup>2</sup>C Detailed Timing Diagram

## 6.7 Typical Characteristics

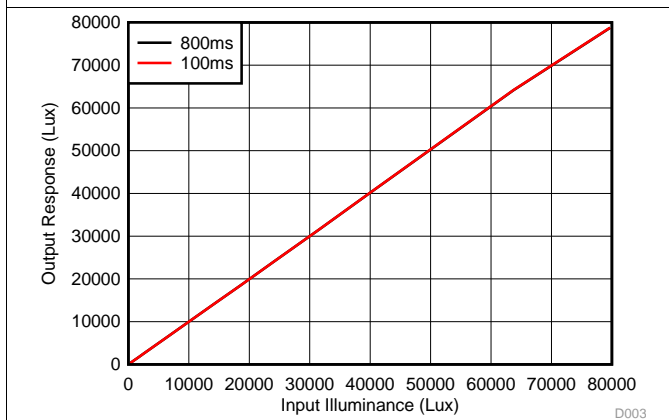
At  $T_A = 25^\circ\text{C}$ ,  $V_{DD} = 3.3\text{ V}$ , 800-ms conversion time ( $CT = 1$ ), automatic full-scale range ( $RN[3:0] = 1100b$ ), white LED, and normal-angle incidence of light, unless otherwise specified.



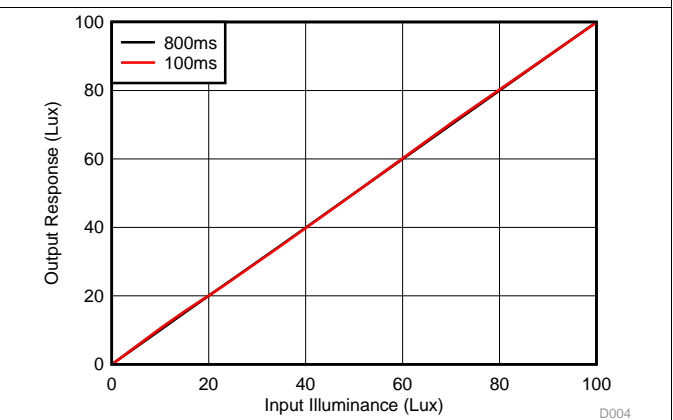
**Figure 2. Spectral Response vs Wavelength**



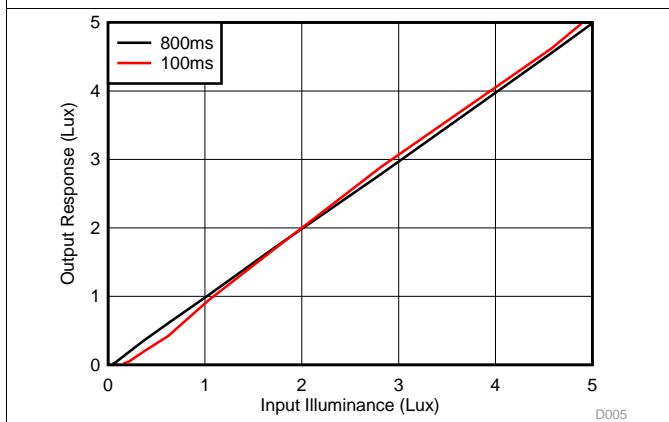
**Figure 3. Output Response vs Input Illuminance, Multiple Light Sources (Fluorescent, Halogen, Incandescent)**



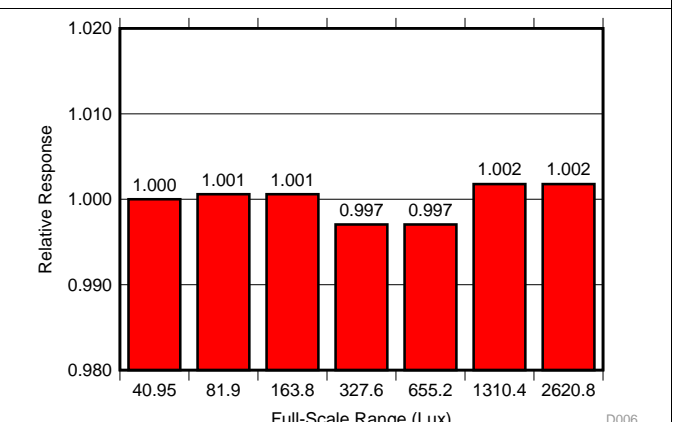
**Figure 4. Output Response vs Input Illuminance (Entire Range = 0 lux to 83k lux)**



**Figure 5. Output Response vs Input Illuminance (Mid Range = 0 lux to 100 lux)**



**Figure 6. Output Response vs Input Illuminance (Low Range = 0 lux to 5 lux)**



**Figure 7. Full-Scale-Range Matching (Lowest 7 Ranges)**

### Typical Characteristics (continued)

At  $T_A = 25^\circ\text{C}$ ,  $V_{DD} = 3.3\text{ V}$ , 800-ms conversion time ( $CT = 1$ ), automatic full-scale range ( $RN[3:0] = 1100b$ ), white LED, and normal-angle incidence of light, unless otherwise specified.

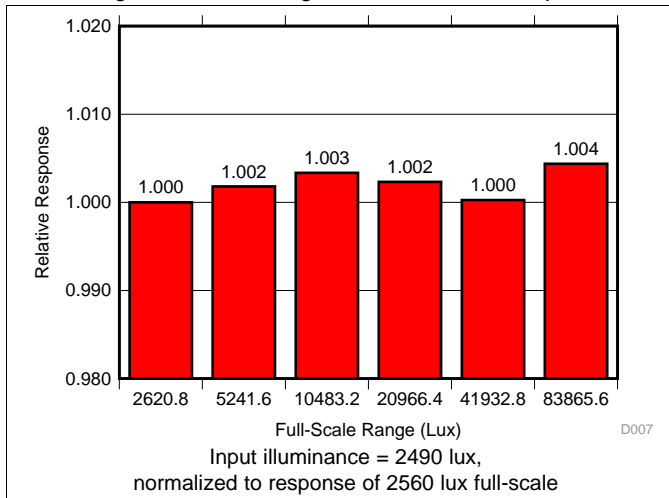


Figure 8. Full-Scale-Range Matching (Highest 6 Ranges)

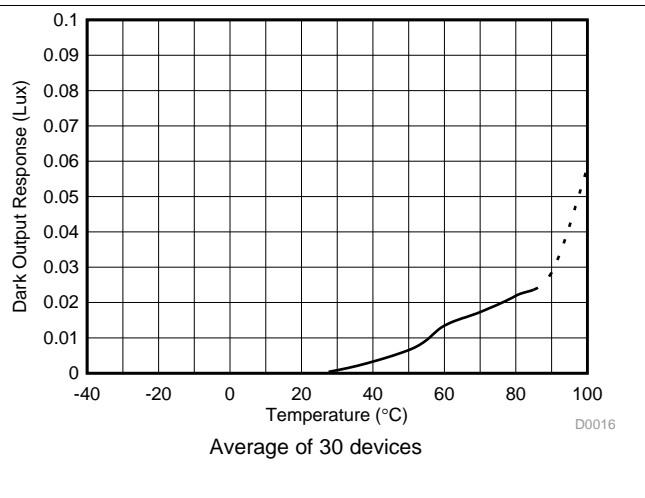


Figure 9. Dark Response vs Temperature

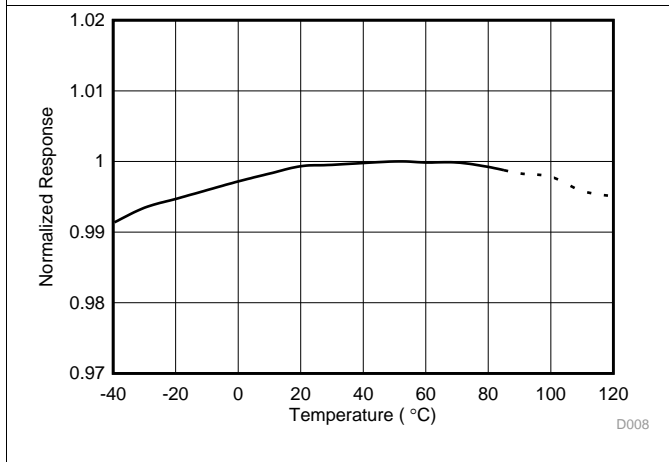


Figure 10. Normalized Response vs Temperature

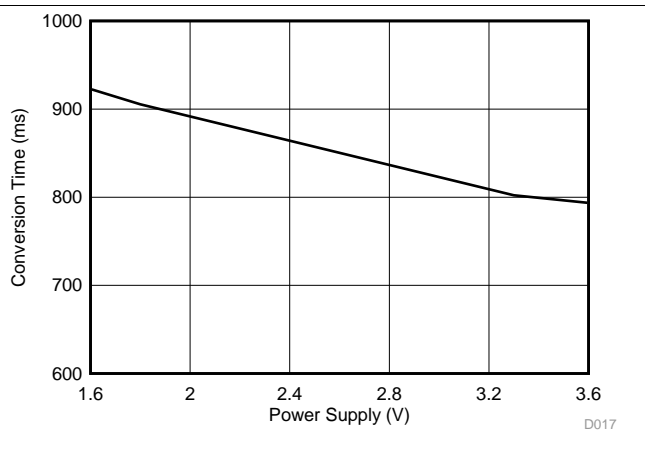


Figure 11. Conversion Time vs Power Supply

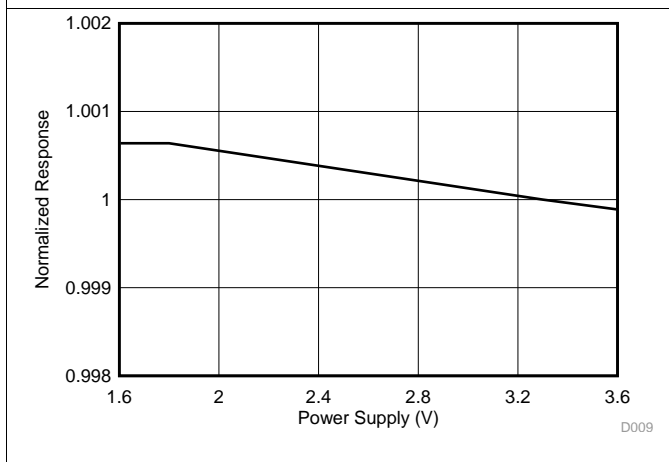


Figure 12. Normalized Response vs Power-Supply Voltage

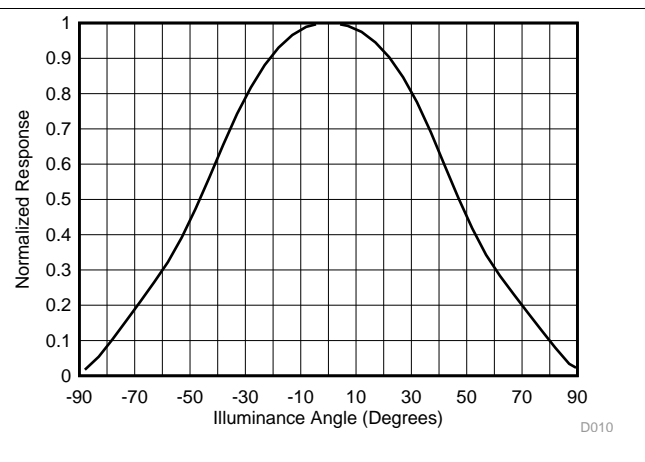


Figure 13. Normalized Response vs Illuminance Angle



Typical Characteristics (continued)

At  $T_A = 25^\circ\text{C}$ ,  $V_{DD} = 3.3\text{ V}$ , 800-ms conversion time ( $CT = 1$ ), automatic full-scale range ( $RN[3:0] = 1100b$ ), white LED, and normal-angle incidence of light, unless otherwise specified.

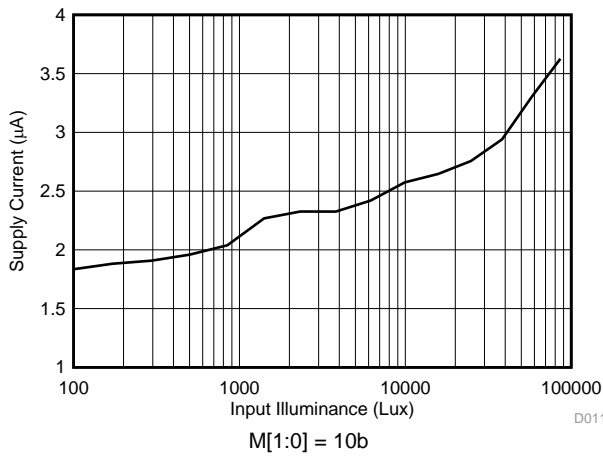


Figure 14. Supply Current vs Input Illuminance

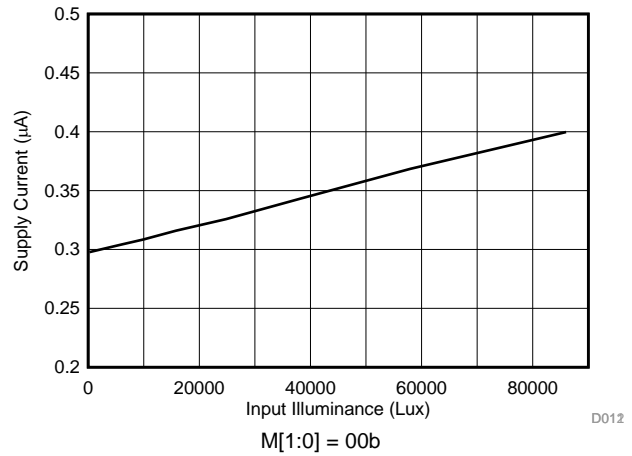


Figure 15. Shutdown Current vs Input Illuminance

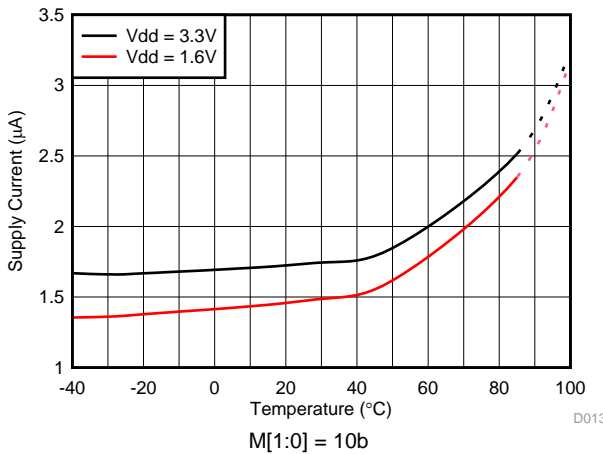


Figure 16. Supply Current vs Temperature

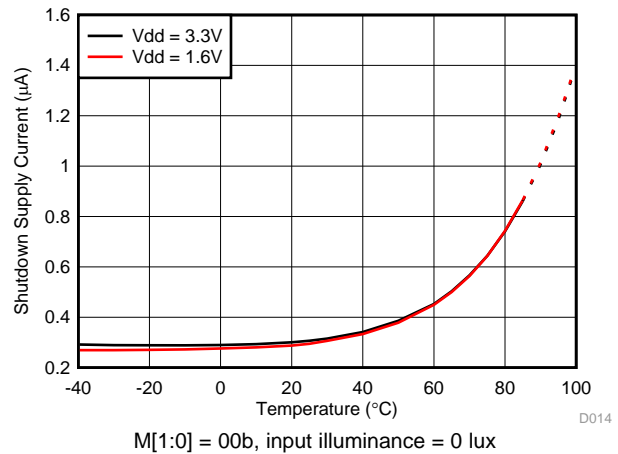
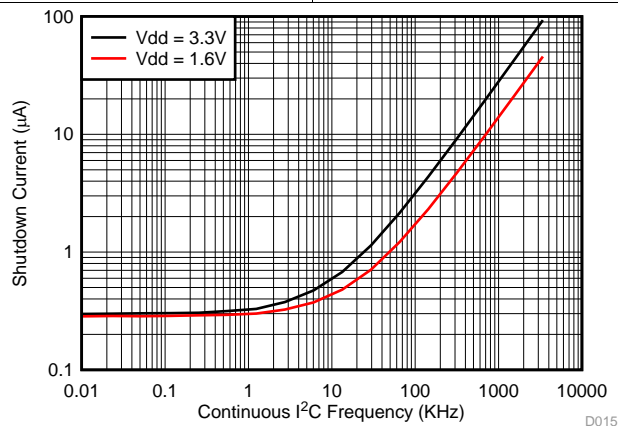


Figure 17. Shutdown Current vs Temperature



Input illuminance = 80 lux, SCL = SDA, continuously toggled at I<sup>2</sup>C frequency  
 Note: A typical application runs at a lower duty cycle and thus consumes a lower current.

Figure 18. Supply Current vs Continuous I<sup>2</sup>C Frequency

## 7 Detailed Description

### 7.1 Overview

The OPT3001 measures the ambient light that illuminates the device. This device measures light with a spectral response very closely matched to the human eye, and with very good infrared rejection.

Matching the sensor spectral response to that of the human eye response is vital because ambient light sensors are used to measure and help create ideal human lighting experiences. Strong rejection of infrared light, which a human does not see, is a crucial component of this matching. This matching makes the OPT3001 especially good for operation underneath windows that are visibly dark, but infrared transmissive.

The OPT3001 is fully self-contained to measure the ambient light and report the result in lux digitally over the I<sup>2</sup>C bus. The result can also be used to alert a system and interrupt a processor with the INT pin. The result can also be summarized with a programmable window comparison and communicated with the INT pin.

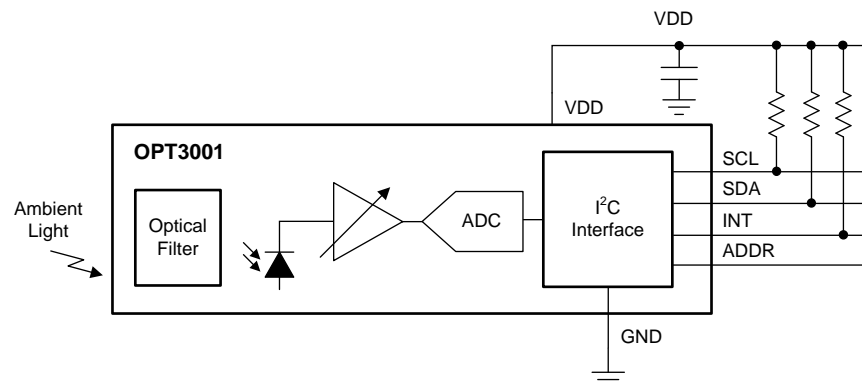
The OPT3001 can be configured into an automatic full-scale, range-setting mode that always selects the optimal full-scale range setting for the lighting conditions. This mode frees the user from having to program their software for potential iterative cycles of measurement and readjustment of the full-scale range until optimal for any given measurement. The device can be commanded to operate continuously or in single-shot measurement modes.

The device integrates its result over either 100 ms or 800 ms, so the effects of 50-Hz and 60-Hz noise sources from typical light bulbs are nominally reduced to a minimum.

The device starts up in a low-power shutdown state, such that the OPT3001 only consumes active-operation power after being programmed into an active state.

The OPT3001 optical filtering system is not excessively sensitive to non-ideal particles and micro-shadows on the optical surface. This reduced sensitivity is a result of the relatively minor device dependency on uniform-density optical illumination of the sensor area for infrared rejection. Proper optical surface cleanliness is always recommended for best results on all optical devices.

### 7.2 Functional Block Diagram



## 7.3 Feature Description

### 7.3.1 Human Eye Matching

The OPT3001 spectral response closely matches that of the human eye. If the ambient light sensor measurement is used to help create a good human experience, or create optical conditions that are optimal for a human, the sensor must measure the same spectrum of light that a human sees.

The device also has excellent infrared light (IR) rejection. This IR rejection is especially important because many real-world lighting sources have significant infrared content that humans do not see. If the sensor measures infrared light that the human eye does not see, then a true human experience is not accurately represented.

Furthermore, if the ambient light sensor is hidden underneath a dark window (such that the end-product user cannot see the sensor) the infrared rejection of the OPT3001 becomes significantly more important because many dark windows attenuate visible light but transmit infrared light. This attenuation of visible light and lack of attenuation of IR light amplifies the ratio of the infrared light to visible light that illuminates the sensor. Results can still be well matched to the human eye under this condition because of the high infrared rejection of the OPT3001.

### 7.3.2 Automatic Full-Scale Range Setting

The OPT3001 has an automatic full-scale range setting feature that eliminates the need to predict and set the optimal range for the device. In this mode, the OPT3001 automatically selects the optimal full-scale range for the given lighting condition. The OPT3001 has a high degree of result matching between the full-scale range settings. This matching eliminates the problem of varying results or the need for range-specific, user-calibrated gain factors when different full-scale ranges are chosen. For further details, see the [Automatic Full-Scale Setting Mode](#) section.

### 7.3.3 Interrupt Operation, INT Pin, and Interrupt Reporting Mechanisms

The device has an interrupt reporting system that allows the processor connected to the I<sup>2</sup>C bus to go to sleep, or otherwise ignore the device results, until a user-defined event occurs that requires possible action. Alternatively, this same mechanism can also be used with any system that can take advantage of a single digital signal that indicates whether the light is above or below levels of interest.

The interrupt event conditions are controlled by the high-limit and low-limit registers, as well as the configuration register latch and fault count fields. The results of comparing the result register with the high-limit register and low-limit register are referred to as *fault events*. The fault count register dictates how many consecutive same-result fault events are required to trigger an interrupt event and subsequently change the state of the interrupt reporting mechanisms, which are the INT pin, the flag high field, and the flag low field. The latch field allows a choice between a latched window-style comparison and a transparent hysteresis-style comparison.

The INT pin has an open-drain output, which requires the use of a pull-up resistor. This open-drain output allows multiple devices with open-drain INT pins to be connected to the same line, thus creating a logical *NOR* or *AND* function between the devices. The polarity of the INT pin can be controlled with the polarity of interrupt field in the configuration register. When the POL field is set to 0, the pin operates in an active low behavior that pulls the pin low when the INT pin becomes active. When the POL field is set to 1, the pin operates in an active high behavior and becomes high impedance, thus allowing the pin to go high when the INT pin becomes active.

Additional details of the interrupt reporting registers are described in the [Interrupt Reporting Mechanism Modes](#) and [Internal Registers](#) sections.

## Feature Description (continued)

### 7.3.4 I<sup>2</sup>C Bus Overview

The OPT3001 offers compatibility with both I<sup>2</sup>C and SMBus interfaces. The I<sup>2</sup>C and SMBus protocols are essentially compatible with one another. The I<sup>2</sup>C interface is used throughout this document as the primary example with the SMBus protocol specified only when a difference between the two protocols is discussed.

The OPT3001 is connected to the bus with two pins: an SCL clock input pin and an SDA open-drain bidirectional data pin. The bus must be controlled by a master device that generates the serial clock (SCL), controls the bus access, and generates start and stop conditions. To address a specific device, the master initiates a start condition by pulling the data signal line (SDA) from a high logic level to a low logic level while SCL is high. All slaves on the bus shift in the slave address byte on the SCL rising edge, with the last bit indicating whether a read or write operation is intended. During the ninth clock pulse, the slave being addressed responds to the master by generating an acknowledge bit by pulling SDA low.

Data transfer is then initiated and eight bits of data are sent, followed by an acknowledge bit. During data transfer, SDA must remain stable while SCL is high. Any change in SDA while SCL is high is interpreted as a start or stop condition. When all data are transferred, the master generates a stop condition, indicated by pulling SDA from low to high while SCL is high. The OPT3001 includes a 28-ms timeout on the I<sup>2</sup>C interface to prevent locking up the bus. If the SCL line is held low for this duration of time, the bus state machine is reset.

#### 7.3.4.1 Serial Bus Address

To communicate with the OPT3001, the master must first initiate an I<sup>2</sup>C start command. Then, the master must address slave devices via a slave address byte. The slave address byte consists of seven address bits and a direction bit that indicates whether the action is to be a read or write operation.

Four I<sup>2</sup>C addresses are possible by connecting the ADDR pin to one of four pins: GND, VDD, SDA, or SCL. [Table 2](#) summarizes the possible addresses with the corresponding ADDR pin configuration. The state of the ADDR pin is sampled on every bus communication and must be driven or connected to the desired level before any activity on the interface occurs.

**Table 2. Possible I<sup>2</sup>C Addresses with Corresponding ADDR Configuration**

| DEVICE I <sup>2</sup> C ADDRESS | ADDR PIN |
|---------------------------------|----------|
| 1000100                         | GND      |
| 1000101                         | VDD      |
| 1000110                         | SDA      |
| 1000111                         | SCL      |

#### 7.3.4.2 Serial Interface

The OPT3001 operates as a slave device on both the I<sup>2</sup>C bus and SMBus. Connections to the bus are made via the SCL clock input line and the SDA open-drain I/O line. The OPT3001 supports the transmission protocol for standard mode (up to 100 kHz), fast mode (up to 400 kHz), and high-speed mode (up to 2.6 MHz). All data bytes are transmitted most-significant bits first.

The SDA and SCL pins feature integrated spike-suppression filters and Schmitt triggers to minimize the effects of input spikes and bus noise. See the [Electrical Interface](#) section for further details of the I<sup>2</sup>C bus noise immunity.

## 7.4 Device Functional Modes

### 7.4.1 Automatic Full-Scale Setting Mode

The OPT3001 has an automatic full-scale-range setting mode that eliminates the need for a user to predict and set the optimal range for the device. This mode is entered when the configuration register range number field (RN[3:0]) is set to 1100b.

The first measurement that the device takes in auto-range mode is a 10-ms range assessment measurement. The device then determines the appropriate full-scale range to take its first full measurement.

For subsequent measurements, the full-scale range is set by the result of the previous measurement. If a measurement is towards the low side of full-scale, the full-scale range is decreased by one or two settings for the next measurement. If a measurement is towards the upper side of full-scale, the full-scale range is increased by one setting for the next measurement.

If the measurement exceeds the full-scale range, resulting from a fast increasing optical transient event, the current measurement is aborted. This invalid measurement is not reported. A 10-ms measurement is taken to assess and properly reset the full-scale range. Then, a new measurement is taken with this proper full-scale range. Therefore, during a fast increasing optical transient in this mode, a measurement can possibly take longer to complete and report than indicated by the configuration register conversion time field (CT).

### 7.4.2 Interrupt Reporting Mechanism Modes

There are two major types of interrupt reporting mechanism modes: latched window-style comparison mode and transparent hysteresis-style comparison mode. The configuration register latch field (L) (see the [configuration register](#), bit 4) controls which of these two modes is used. An end-of-conversion mode is also associated with each major mode type. The end-of-conversion mode is active when the two most significant bits of the threshold low register are set to 11b. The mechanisms report via the flag high and flag low fields, the conversion ready field, and the INT pin.

#### 7.4.2.1 Latched Window-Style Comparison Mode

The latched window-style comparison mode is typically selected when using the OPT3001 to interrupt an external processor. In this mode, a fault is recognized when the input signal is above the high-limit register or below the low-limit register. When the consecutive fault events trigger the interrupt reporting mechanisms, these mechanisms are latched, thus reporting whether the fault is the result of a high or low comparison. These mechanisms remain latched until the configuration register is read, which clears the INT pin and flag high and flag low fields. The SMBus alert response protocol, described in detail in the [SMBus Alert Response](#) section, clears the pin but does not clear the flag high and flag low fields. The behavior of this mode, along with the conversion ready flag, is summarized in [Table 3](#). Note that [Table 3](#) does not apply when the two threshold low register MSBs (see the [Transparent Hysteresis-Style Comparison Mode](#) section for clarification on the MSBs) are set to 11b.

**Device Functional Modes (continued)**
**Table 3. Latched Window-Style Comparison Mode: Flag Setting and Clearing Summary<sup>(1)(2)</sup>**

| OPERATION  | FLAG HIGH FIELD | FLAG LOW FIELD | INT PIN <sup>(3)</sup> | CONVERSION READY FIELD |
|--|-----------------|----------------|------------------------|------------------------|
| The result register is above the high-limit register for fault count times. See the <a href="#">Result Register</a> and the <a href="#">High-Limit Register</a> for further details. | 1               | X              | Active                 | 1                      |
| The result register is below the low-limit register for fault count times. See the <a href="#">Result Register</a> and the <a href="#">Low-Limit Register</a> for further details.   | X               | 1              | Active                 | 1                      |
| The conversion is complete with fault count criterion not met  | X               | X              | X                      | 1                      |
| Configuration register read <sup>(4)</sup>   | 0               | 0              | Inactive               | 0                      |
| Configuration register write, M[1:0] = 00b (shutdown)  | X               | X              | X                      | X                      |
| Configuration register write, M[1:0] > 00b (not shutdown)  | X               | X              | X                      | 0                      |
| SMBus alert response protocol  | X               | X              | Inactive               | X                      |

- (1) X = no change from the previous state.
- (2) The high-limit register is assumed to be greater than the low-limit register. If this assumption is incorrect, the flag high field and flag low field can take on different behaviors.
- (3) The INT pin depends on the setting of the polarity field (POL). The INT pin is low when the pin state is active and POL = 0 (active low) or when the pin state is inactive and POL = 1 (active high).
- (4) Immediately after the configuration register is read, the device automatically resets the conversion ready field to its 0 state. Thus, if two configuration register reads are performed immediately after a conversion completion, the first reads 1 and the second reads 0.

**7.4.2.2 Transparent Hysteresis-Style Comparison Mode**

The transparent hysteresis-style comparison mode is typically used when a single digital signal is desired that indicates whether the input light is higher than or lower than a light level of interest. If the result register is higher than the high-limit register for a consecutive number of events set by the fault count field, the INT line is set to active, the flag high field is set to 1, and the flag low field is set to 0. If the result register is lower than the low-limit register for a consecutive number of events set by the fault count field, the INT line is set to inactive, the flag low field is set to 1, and the flag high field is set to 0. The INT pin and flag high and flag low fields do not change state with configuration reads and writes. The INT pin and flag fields continually report the appropriate comparison of the light to the low-limit and high-limit registers. The device does not respond to the SMBus alert response protocol while in either of the two transparent comparison modes (configuration register, latch field = 0). The behavior of this mode, along with the conversion ready is summarized in [Table 4](#). Note that [Table 4](#) does not apply when the two threshold low register MSBs (LE[3:2] from [Table 12](#)) are set to 11.

**Table 4. Transparent Hysteresis-Style Comparison Mode: Flag Setting and Clearing Summary<sup>(1)(2)</sup>**

| OPERATION  | FLAG HIGH FIELD | FLAG LOW FIELD | INT PIN <sup>(3)</sup> | CONVERSION READY FIELD |
|--|-----------------|----------------|------------------------|------------------------|
| The result register is above the high-limit register for fault count times. See the <a href="#">Result Register</a> and the <a href="#">High-Limit Register</a> for further details. | 1               | 0              | Active                 | 1                      |
| The result register is below the low-limit register for fault count times. See the <a href="#">Result Register</a> and the <a href="#">Low-Limit Register</a> for further details.   | 0               | 1              | Inactive               | 1                      |
| The conversion is complete with fault count criterion not met  | X               | X              | X                      | 1                      |
| Configuration register read <sup>(4)</sup>   | X               | X              | X                      | 0                      |
| Configuration register write, M[1:0] = 00b (shutdown)  | X               | X              | X                      | X                      |
| Configuration register write, M[1:0] > 00b (not shutdown)  | X               | X              | X                      | 0                      |
| SMBus alert response protocol  | X               | X              | X                      | X                      |

- (1) X = no change from the previous state.
- (2) The high-limit register is assumed to be greater than the low-limit register. If this assumption is incorrect, the flag high field and flag low field can take on different behaviors.
- (3) The INT pin depends on the setting of the polarity field (POL). The INT pin is low when the pin state is active and POL = 0 (active low) or when the pin state is inactive and POL = 1 (active high).
- (4) Immediately after the configuration register is read, the device automatically resets the conversion ready field to its 0 state. Thus, if two configuration register reads are performed immediately after a conversion completion, the first reads 1 and the second reads 0.

### 7.4.2.3 End-of-Conversion Mode

An end-of-conversion indicator mode can be used when every measurement is desired to be read by the processor, prompted by the INT pin going active on every measurement completion. This mode is entered by setting the most significant two bits of the low-limit register (LE[3:2] from the [Low-Limit Register](#)) to 11b. This end-of-conversion mode is typically used in conjunction with the latched window-style comparison mode. The INT pin becomes inactive when the configuration register is read or the configuration register is written with a non-shutdown parameter or in response to an SMBus alert response. [Table 5](#) summarizes the interrupt reporting mechanisms as a result of various operations.

**Table 5. End-of-Conversion Mode while in Latched Window-Style Comparison Mode: Flag Setting and Clearing Summary<sup>(1)</sup>**

| OPERATION  | FLAG HIGH FIELD | FLAG LOW FIELD | INT PIN <sup>(2)</sup> | CONVERSION READY FIELD |
|--|-----------------|----------------|------------------------|------------------------|
| The result register is above the high-limit register for fault count times. See the <a href="#">Result Register</a> and the <a href="#">High-Limit Register</a> for further details. | 1               | X              | Active                 | 1                      |
| The result register is below the low-limit register for fault count times. See the <a href="#">Result Register</a> and the <a href="#">Low-Limit Register</a> for further details.   | X               | 1              | Active                 | 1                      |
| The conversion is complete with fault count criterion not met  | X               | X              | Active                 | 1                      |
| Configuration register read <sup>(3)</sup>   | 0               | 0              | Inactive               | 0                      |
| Configuration register write, M[1:0] = 00b (shutdown)  | X               | X              | X                      | X                      |
| Configuration register write, M[1:0] > 00b (not shutdown)  | X               | X              | X                      | 0                      |
| SMBus alert response protocol  | X               | X              | Inactive               | X                      |

(1) X = no change from the previous state.

(2) The INT pin depends on the setting of the polarity field (POL). The INT pin is low when the pin state is active and POL = 0 (active low) or when the pin state is inactive and POL = 1 (active high).

(3) Immediately after the configuration register is read, the device automatically resets the conversion ready field to its 0 state. Thus, if two configuration register reads are performed immediately after a conversion completion, the first reads 1 and the second reads 0.

Note that when transitioning from end-of-conversion mode to the standard comparison modes (that is, programming LE[3:2] from 11b to 00b) while the configuration register latch field (L) is 1, a subsequent write to the configuration register latch field (L) to 0 is necessary in order to properly clear the INT pin. The latch field can then be set back to 1 if desired.

### 7.4.2.4 End-of-Conversion and Transparent Hysteresis-Style Comparison Mode

The combination of end-of-conversion mode and transparent hysteresis-style comparison mode can also be programmed simultaneously. The behavior of this combination is shown in [Table 6](#).

**Table 6. End-Of-Conversion Mode while in Transparent Hysteresis-Style Comparison Mode: Flag Setting and Clearing Summary<sup>(1)</sup>**

| OPERATION  | FLAG HIGH FIELD | FLAG LOW FIELD | INT PIN <sup>(2)</sup> | CONVERSION READY FIELD |
|--|-----------------|----------------|------------------------|------------------------|
| The result register is above the high-limit register for fault count times. See the <a href="#">Result Register</a> and the <a href="#">High-Limit Register</a> for further details. | 1               | 0              | Active                 | 1                      |
| The result register is below the low-limit register for fault count times. See the <a href="#">Result Register</a> and the <a href="#">Low-Limit Register</a> for further details.   | 0               | 1              | Active                 | 1                      |
| The conversion is complete with fault count criterion not met  | X               | X              | Active                 | 1                      |
| Configuration register read <sup>(3)</sup>   | X               | X              | Inactive               | 0                      |
| Configuration register write, M[1:0] = 00b (shutdown)  | X               | X              | X                      | X                      |
| Configuration register write, M[1:0] > 00b (not shutdown)  | X               | X              | Inactive               | 0                      |
| SMBus alert response protocol  | X               | X              | X                      | X                      |

(1) X = no change from the previous state.

(2) The INT pin depends on the setting of the polarity field (POL). The INT pin is low when the pin state is active and POL = 0 (active low) or when the pin state is inactive and POL = 1 (active high).

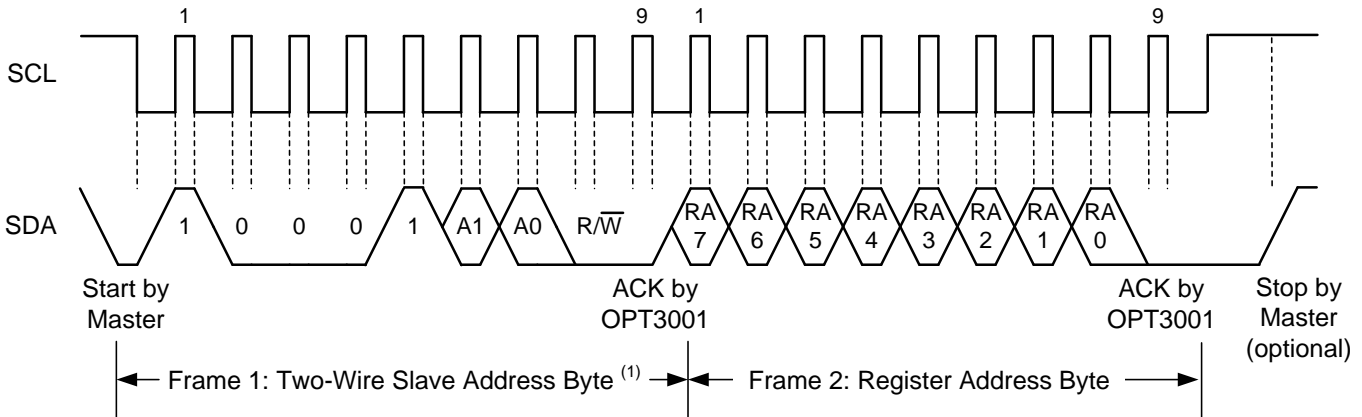
(3) Immediately after the configuration register is read, the device automatically resets the conversion ready field to its 0 state. Thus, if two configuration register reads are performed immediately after a conversion completion, the first reads 1 and the second reads 0.

## 7.5 Programming

The OPT3001 supports the transmission protocol for standard mode (up to 100 kHz), fast mode (up to 400 kHz), and high-speed mode (up to 2.6 MHz). Fast and standard modes are described as the default protocol, referred to as *F/S*. High-speed mode is described in the [High-Speed I<sup>2</sup>C Mode](#) section.

### 7.5.1 Writing and Reading

Accessing a specific register on the OPT3001 is accomplished by writing the appropriate register address during the I<sup>2</sup>C transaction sequence. Refer to [Table 7](#) for a complete list of registers and their corresponding register addresses. The value for the register address (as shown in [Figure 19](#)) is the first byte transferred after the slave address byte with the R/W bit low.



(1) The value of the slave address byte is determined by the ADDR pin setting; see [Table 2](#).

**Figure 19. Setting the I<sup>2</sup>C Register Address**

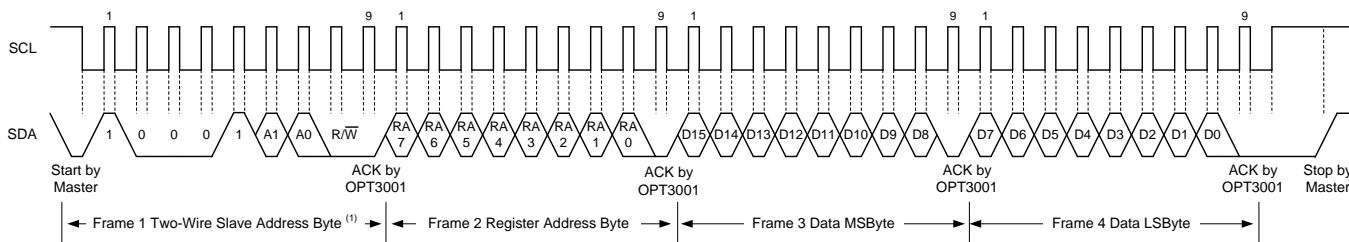
Writing to a register begins with the first byte transmitted by the master. This byte is the slave address with the R/W bit low. The OPT3001 then acknowledges receipt of a valid address. The next byte transmitted by the master is the address of the register that data are to be written to. The next two bytes are written to the register addressed by the register address. The OPT3001 acknowledges receipt of each data byte. The master may terminate the data transfer by generating a start or stop condition.

When reading from the OPT3001, the last value stored in the register address by a write operation determines which register is read during a read operation. To change the register address for a read operation, a new partial I<sup>2</sup>C write transaction must be initiated. This partial write is accomplished by issuing a slave address byte with the R/W bit low, followed by the register address byte and a stop command. The master then generates a start condition and sends the slave address byte with the R/W bit high to initiate the read command. The next byte is transmitted by the slave and is the most significant byte of the register indicated by the register address. This byte is followed by an acknowledge from the master; then the slave transmits the least significant byte. The master acknowledges receipt of the data byte. The master may terminate the data transfer by generating a not-acknowledge after receiving any data byte, or by generating a start or stop condition. If repeated reads from the same register are desired, continually sending the register address bytes is not necessary; the OPT3001 retains the register address until that number is changed by the next write operation.



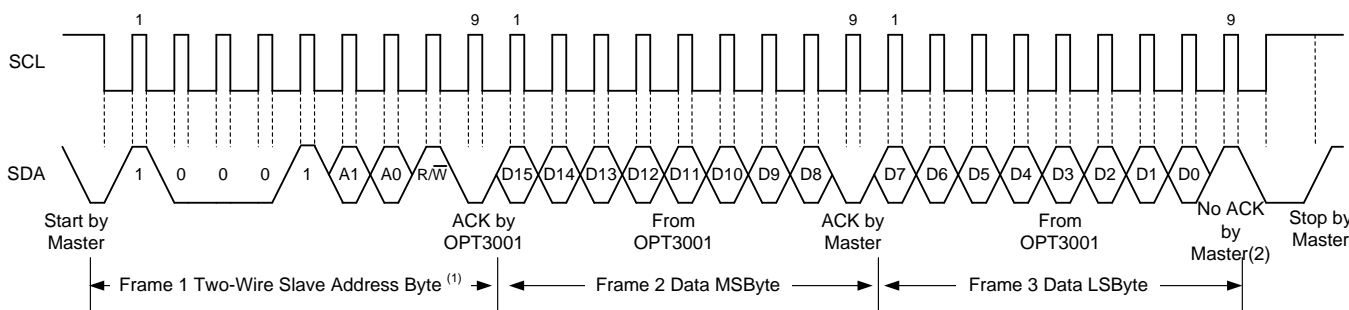
## Programming (continued)

Figure 20 and Figure 21 show the write and read operation timing diagrams, respectively. Note that register bytes are sent most significant byte first, followed by the least significant byte.



(1) The value of the slave address byte is determined by the setting of the ADDR pin; see Table 2.

Figure 20. I<sup>2</sup>C Write Example



(1) The value of the slave address byte is determined by the ADDR pin setting; see Table 2.

(2) An ACK by the master can also be sent.

Figure 21. I<sup>2</sup>C Read Example

### 7.5.1.1 High-Speed I<sup>2</sup>C Mode

When the bus is idle, both the SDA and SCL lines are pulled high by the pull-up resistors or active pull-up devices. The master generates a start condition followed by a valid serial byte containing the high-speed (HS) master code 0000 1XXXb. This transmission is made in either standard mode or fast mode (up to 400 kHz). The OPT3001 does not acknowledge the HS master code but does recognize the code and switches its internal filters to support a 2.6-MHz operation.

The master then generates a repeated start condition (a repeated start condition has the same timing as the start condition). After this repeated start condition, the protocol is the same as F/S mode, except that transmission speeds up to 2.6 MHz are allowed. Instead of using a stop condition, use repeated start conditions to secure the bus in HS mode. A stop condition ends the HS mode and switches all internal filters of the OPT3001 to support the F/S mode.

### 7.5.1.2 General-Call Reset Command

The I<sup>2</sup>C general-call reset allows the host controller in one command to reset all devices on the bus that respond to the general-call reset command. The general call is initiated by writing to the I<sup>2</sup>C address 0 (0000 0000b). The reset command is initiated when the subsequent second address byte is 06h (0000 0110b). With this transaction, the device issues an acknowledge bit and sets all of its registers to the power-on-reset default condition.

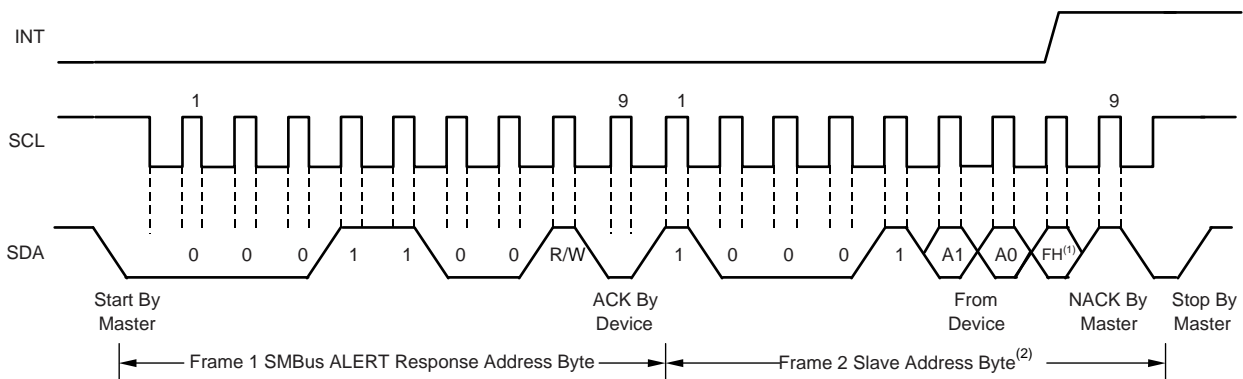
## Programming (continued)

### 7.5.1.3 SMBus Alert Response

The SMBus alert response provides a quick identification for which device issued the interrupt. Without this alert response capability, the processor does not know which device pulled the interrupt line when there are multiple slave devices connected.

The OPT3001 is designed to respond to the SMBus alert response address, when in the latched window-style comparison mode (configuration register, latch field = 1). The OPT3001 does not respond to the SMBus alert response when in transparent mode (configuration register, latch field = 0).

The response behavior of the OPT3001 to the SMBus alert response is shown in [Figure 22](#). When the interrupt line to the processor is pulled to active, the master can broadcast the alert response slave address (0001 1001b). Following this alert response, any slave devices that generated an alert identify themselves by acknowledging the alert response and sending their respective I<sup>2</sup>C address on the bus. The alert response can activate several different slave devices simultaneously. If more than one slave attempts to respond, bus arbitration rules apply. The device with the lowest address wins the arbitration. If the OPT3001 loses the arbitration, the device does not acknowledge the I<sup>2</sup>C transaction and its INT pin remains in an active state, prompting the I<sup>2</sup>C master processor to issue a subsequent SMBus alert response. When the OPT3001 wins the arbitration, the device acknowledges the transaction and sets its INT pin to inactive. The master can issue that same command again, as many times as necessary to clear the INT pin. See the [Interrupt Reporting Mechanism Modes](#) section for additional details of how the flags and INT pin are controlled. The master can obtain information about the source of the OPT3001 interrupt from the address broadcast in the above process. The flag high field (configuration register, bit 6) is sent as the final LSB of the address to provide the master additional information about the cause of the OPT3001 interrupt. If the master requires additional information, the result register or the configuration register can be queried. The flag high and flag low fields are not cleared upon an SMBus alert response.



(1) FH is the flag high field (FH) in the configuration register (see [Table 11](#)).

(2) A1 and A0 are determined by the ADDR pin; see [Table 2](#).

**Figure 22. Timing Diagram for SMBus Alert Response**

## 7.6 Register Maps

### 7.6.1 Internal Registers

The device is operated over the I<sup>2</sup>C bus with registers that contain configuration, status, and result information. All registers are 16 bits long.

There are four main registers: result, configuration, low-limit, and high-limit. There are also two ID registers: manufacturer ID and device ID. [Table 7](#) lists these registers.

**Table 7. Register Map**

| REGISTER        | ADDRESS (Hex) <sup>(1)</sup> | BIT 15 | BIT 14 | BIT 13 | BIT 12 | BIT 11 | BIT 10 | BIT 9 | BIT 8 | BIT 7 | BIT 6 | BIT 5 | BIT 4 | BIT 3 | BIT 2 | BIT 1 | BIT 0 |
|-----------------|------------------------------|--------|--------|--------|--------|--------|--------|-------|-------|-------|-------|-------|-------|-------|-------|-------|-------|
| Result          | 00h                          | E3     | E2     | E1     | E0     | R11    | R10    | R9    | R8    | R7    | R6    | R5    | R4    | R3    | R2    | R1    | R0    |
| Configuration   | 01h                          | RN3    | RN2    | RN1    | RN0    | CT     | M1     | M0    | OVF   | CRF   | FH    | FL    | L     | POL   | ME    | FC1   | FC0   |
| Low Limit       | 02h                          | LE3    | LE2    | LE1    | LE0    | TL11   | TL10   | TL9   | TL8   | TL7   | TL6   | TL5   | TL4   | TL3   | TL2   | TL1   | TL0   |
| High Limit      | 03h                          | HE3    | HE2    | HE1    | HE0    | TH11   | TH10   | TH9   | TH8   | TH7   | TH6   | TH5   | TH4   | TH3   | TH2   | TH1   | TH0   |
| Manufacturer ID | 7Eh                          | ID15   | ID14   | ID13   | ID12   | ID11   | ID10   | ID9   | ID8   | ID7   | ID6   | ID5   | ID4   | ID3   | ID2   | ID1   | ID0   |
| Device ID       | 7Fh                          | DID15  | DID14  | DID13  | DID12  | DID11  | DID10  | DID9  | DID8  | DID7  | DID6  | DID5  | DID4  | DID3  | DID2  | DID1  | DID0  |

(1) Register offset and register address are used interchangeably.

### 7.6.1.1 Register Descriptions

#### NOTE

Register offset and register address are used interchangeably.

#### 7.6.1.1.1 Result Register (offset = 00h)

This register contains the result of the most recent light to digital conversion. This 16-bit register has two fields: a 4-bit exponent and a 12-bit mantissa.

**Figure 23. Result Register (Read-Only)**

|    |    |    |    |     |     |    |    |
|----|----|----|----|-----|-----|----|----|
| 15 | 14 | 13 | 12 | 11  | 10  | 9  | 8  |
| E3 | E2 | E1 | E0 | R11 | R10 | R9 | R8 |
| R  | R  | R  | R  | R   | R   | R  | R  |
| 7  | 6  | 5  | 4  | 3   | 2   | 1  | 0  |
| R7 | R6 | R5 | R4 | R3  | R2  | R1 | R0 |
| R  | R  | R  | R  | R   | R   | R  | R  |

LEGEND: R = Read only

**Table 8. Result Register Field Descriptions**

| Bit   | Field   | Type | Reset | Description   |
|-------|---------|------|-------|---|
| 15:12 | E[3:0]  | R    | 0h    | <b>Exponent.</b><br>These bits are the exponent bits. <a href="#">Table 9</a> provides further details. |
| 11:0  | R[11:0] | R    | 000h  | <b>Fractional result.</b><br>These bits are the result in straight binary coding (zero to full-scale).  |

**Table 9. Full-Scale Range and LSB Size as a Function of Exponent Level**

| E3 | E2 | E1 | E0 | FULL-SCALE RANGE (lux) | LSB SIZE (lux per LSB) |
|----|----|----|----|------------------------|------------------------|
| 0  | 0  | 0  | 0  | 40.95                  | 0.01                   |
| 0  | 0  | 0  | 1  | 81.90                  | 0.02                   |
| 0  | 0  | 1  | 0  | 163.80                 | 0.04                   |
| 0  | 0  | 1  | 1  | 327.60                 | 0.08                   |
| 0  | 1  | 0  | 0  | 655.20                 | 0.16                   |
| 0  | 1  | 0  | 1  | 1310.40                | 0.32                   |
| 0  | 1  | 1  | 0  | 2620.80                | 0.64                   |
| 0  | 1  | 1  | 1  | 5241.60                | 1.28                   |
| 1  | 0  | 0  | 0  | 10483.20               | 2.56                   |
| 1  | 0  | 0  | 1  | 20966.40               | 5.12                   |
| 1  | 0  | 1  | 0  | 41932.80               | 10.24                  |
| 1  | 0  | 1  | 1  | 83865.60               | 20.48                  |

The formula to translate this register into lux is given in [Equation 1](#):

$$\text{lux} = \text{LSB\_Size} \times \text{R}[11:0] \quad (1)$$

where:

$$\text{LSB\_Size} = 0.01 \times 2^{\text{E}[3:0]} \quad (2)$$

LSB\_Size can also be taken from [Table 9](#). The complete lux equation is shown in [Equation 3](#):

$$\text{lux} = 0.01 \times (2^{\text{E}[3:0]}) \times \text{R}[11:0] \quad (3)$$

A series of result register output examples with the corresponding LSB weight and resulting lux are given in [Table 10](#). Note that many combinations of exponents (E[3:0]) and fractional results (R[11:0]) can map onto the same lux result, as shown in the examples of [Table 10](#).

**Table 10. Examples of Decoding the Result Register into lux**

| RESULT REGISTER<br>(Bits 15:0, Binary) | EXPONENT<br>(E[3:0], Hex) | FRACTIONAL<br>RESULT<br>(R[11:0], Hex) | LSB WEIGHT<br>(lux, Decimal) | RESULTING LUX<br>(Decimal) |
|--|---------------------------|--|------------------------------|----------------------------|
| 0000 0000 0000 0001b                   | 00h                       | 001h                                   | 0.01                         | 0.01                       |
| 0000 1111 1111 1111b                   | 00h                       | FFFh                                   | 0.01                         | 40.95                      |
| 0011 0100 0101 0110b                   | 03h                       | 456h                                   | 0.08                         | 88.80                      |
| 0111 1000 1001 1010b                   | 07h                       | 89Ah                                   | 1.28                         | 2818.56                    |
| 1000 1000 0000 0000b                   | 08h                       | 800h                                   | 2.56                         | 5242.88                    |
| 1001 0100 0000 0000b                   | 09h                       | 400h                                   | 5.12                         | 5242.88                    |
| 1010 0010 0000 0000b                   | 0Ah                       | 200h                                   | 10.24                        | 5242.88                    |
| 1011 0001 0000 0000b                   | 0Bh                       | 100h                                   | 20.48                        | 5242.88                    |
| 1011 0000 0000 0001b                   | 0Bh                       | 001h                                   | 20.48                        | 20.48                      |
| 1011 1111 1111 1111b                   | 0Bh                       | FFFh                                   | 20.48                        | 83865.60                   |

Note that the exponent field can be disabled (set to zero) by enabling the exponent mask (configuration register, ME field = 1) and manually programming the full-scale range (configuration register, RN[3:0] < 1100b (0Ch)), allowing for simpler operation in a manually-programmed, full-scale mode. Calculating lux from the result register contents only requires multiplying the result register by the LSB weight (in lux) associated with the specific programmed full-scale range (see [Table 9](#)). See the [Low-Limit Register](#) for details.

See the configuration register conversion time field (CT, bit 11) description for more information on lux resolution as a function of conversion time.

#### 7.6.1.1.2 Configuration Register (offset = 01h) [reset = C810h]

This register controls the major operational modes of the device. This register has 11 fields, which are documented below. If a measurement conversion is in progress when the configuration register is written, the active measurement conversion immediately aborts. If the new configuration register directs a new conversion, that conversion is subsequently started.

**Figure 24. Configuration Register**

|     |     |     |     |     |     |     |     |
|-----|-----|-----|-----|-----|-----|-----|-----|
| 15  | 14  | 13  | 12  | 11  | 10  | 9   | 8   |
| RN3 | RN2 | RN1 | RN0 | CT  | M1  | M0  | OVF |
| R/W | R/W | R/W | R/W | R/W | R/W | R/W | R   |
| 7   | 6   | 5   | 4   | 3   | 2   | 1   | 0   |
| CRF | FH  | FL  | L   | POL | ME  | FC1 | FC0 |
| R   | R   | R   | R/W | R/W | R/W | R/W | R/W |

LEGEND: R/W = Read/Write; R = Read only

**Table 11. Configuration Register Field Descriptions**

| Bit   | Field   | Type | Reset | Description   |
|-------|---------|------|-------|---|
| 15:12 | RN[3:0] | R/W  | 1100b | <b>Range number field (read or write).</b><br>The range number field selects the full-scale lux range of the device. The format of this field is the same as the result register exponent field (E[3:0]); see <a href="#">Table 9</a> . When RN[3:0] is set to 1100b (0Ch), the device operates in automatic full-scale setting mode, as described in the <a href="#">Automatic Full-Scale Setting Mode</a> section. In this mode, the automatically chosen range is reported in the result exponent (register 00h, E[3:0]).<br>The device powers up as 1100 in automatic full-scale setting mode. Codes 1101b, 1110b, and 1111b (0Dh, 0Eh, and 0Fh) are reserved for future use. |

**Table 11. Configuration Register Field Descriptions (continued)**

| Bit  | Field  | Type | Reset | Description  |
|------|--------|------|-------|--|
| 11   | CT     | R/W  | 1b    | <p><b>Conversion time field (read or write).</b><br/>           The conversion time field determines the length of the light to digital conversion process. The choices are 100 ms and 800 ms. A longer integration time allows for a lower noise measurement.<br/>           The conversion time also relates to the effective resolution of the data conversion process. The 800-ms conversion time allows for the fully specified lux resolution. The 100-ms conversion time with full-scale ranges above 0101b for E[3:0] in the result and configuration registers also allows for the fully specified lux resolution. The 100-ms conversion time with full-scale ranges below and including 0101b for E[3:0] can reduce the effective result resolution by up to three bits, as a function of the selected full-scale range. Range 0101b reduces by one bit. Ranges 0100b, 0011b, 0010b, and 0001b reduces by two bits. Range 0000b reduces by three bits. The result register format and associated LSB weight does not change as a function of the conversion time.<br/>           0 = 100 ms<br/>           1 = 800 ms</p>  |
| 10:9 | M[1:0] | R/W  | 00b   | <p><b>Mode of conversion operation field (read or write).</b><br/>           The mode of conversion operation field controls whether the device is operating in continuous conversion, single-shot, or low-power shutdown mode. The default is 00b (shutdown mode), such that upon power-up, the device only consumes operational level power after appropriately programming the device.<br/>           When single-shot mode is selected by writing 01b to this field, the field continues to read 01b while the device is actively converting. When the single-shot conversion is complete, the mode of conversion operation field is automatically set to 00b and the device is shut down.<br/>           When the device enters shutdown mode, either by completing a single-shot conversion or by a manual write to the configuration register, there is no change to the state of the reporting flags (conversion ready, flag high, flag low) or the INT pin. These signals are retained for subsequent read operations while the device is in shutdown mode.<br/>           00 = Shutdown (default)<br/>           01 = Single-shot<br/>           10, 11 = Continuous conversions</p>   |
| 8    | OVF    | R    | 0b    | <p><b>Overflow flag field (read-only).</b><br/>           The overflow flag field indicates when an overflow condition occurs in the data conversion process, typically because the light illuminating the device exceeds the programmed full-scale range of the device. Under this condition OVF is set to 1, otherwise OVF remains at 0. The field is reevaluated on every measurement.<br/>           If the full-scale range is manually set (RN[3:0] field &lt; 1100b), the overflow flag field can be set while the result register reports a value less than full-scale. This result occurs if the input light has a temporary high spike level that temporarily overloads the integrating ADC converter circuitry but returns to a level within range before the conversion is complete. Thus, the overflow flag reports a possible error in the conversion process. This behavior is common to integrating-style converters.<br/>           If the full-scale range is automatically set (RN[3:0] field = 1100b), the only condition that sets the overflow flag field is if the input light is beyond the full-scale level of the entire device. When there is an overflow condition and the full-scale range is not at maximum, the OPT3001 aborts its current conversion, sets the full-scale range to a higher level, and starts a new conversion. The flag is set at the end of the process. This process repeats until there is either no overflow condition or until the full-scale range is set to its maximum range.</p> |
| 7    | CRF    | R    | 0b    | <p><b>Conversion ready field (read-only).</b><br/>           The conversion ready field indicates when a conversion completes. The field is set to 1 at the end of a conversion and is cleared (set to 0) when the configuration register is subsequently read or written with any value except one containing the shutdown mode (mode of operation field, M[1:0] = 00b). Writing a shutdown mode does not affect the state of this field; see the <a href="#">Interrupt Reporting Mechanism Modes</a> section for more details.</p>   |
| 6    | FH     | R    | 0b    | <p><b>Flag high field (read-only).</b><br/>           The flag high field (FH) identifies that the result of a conversion is larger than a specified level of interest. FH is set to 1 when the result is larger than the level in the high-limit register (register address 03h) for a consecutive number of measurements defined by the fault count field (FC[1:0]). See the <a href="#">Interrupt Reporting Mechanism Modes</a> section for more details on clearing and other behaviors of this field.</p>   |
| 5    | FL     | R    | 0b    | <p><b>Flag low field (read-only).</b><br/>           The flag low field (FL) identifies that the result of a conversion is smaller than a specified level of interest. FL is set to 1 when the result is smaller than the level in the low-limit register (register address 02h) for a consecutive number of measurements defined by the fault count field (FC[1:0]). See the <a href="#">Interrupt Reporting Mechanism Modes</a> section for more details on clearing and other behaviors of this field.</p>  |

**Table 11. Configuration Register Field Descriptions (continued)**

| Bit | Field   | Type | Reset | Description  |
|-----|---------|------|-------|--|
| 4   | L       | R/W  | 1b    | <p><b>Latch field (read or write).</b><br/> The latch field controls the functionality of the interrupt reporting mechanisms: the INT pin, the flag high field (FH), and flag low field (FL). This bit selects the reporting style between a latched window-style comparison and a transparent hysteresis-style comparison.<br/> 0 = The device functions in transparent hysteresis-style comparison operation, where the three interrupt reporting mechanisms directly reflect the comparison of the result register with the high- and low-limit registers with no user-controlled clearing event. See the <a href="#">Interrupt Operation, INT Pin, and Interrupt Reporting Mechanisms</a> section for further details.<br/> 1 = The device functions in latched window-style comparison operation, latching the interrupt reporting mechanisms until a user-controlled clearing event.</p> |
| 3   | POL     | R/W  | 0b    | <p><b>Polarity field (read or write).</b><br/> The polarity field controls the polarity or active state of the INT pin.<br/> 0 = The INT pin reports active low, pulling the pin low upon an interrupt event.<br/> 1 = Operation of the INT pin is inverted, where the INT pin reports active high, becoming high impedance and allowing the INT pin to be pulled high upon an interrupt event.</p>  |
| 2   | ME      | R/W  | 0b    | <p><b>Mask exponent field (read or write).</b><br/> The mask exponent field forces the result register exponent field (register 00h, bits E[3:0]) to 0000b when the full-scale range is manually set, which can simplify the processing of the result register when the full-scale range is manually programmed. This behavior occurs when the mask exponent field is set to 1 and the range number field (RN[3:0]) is set to less than 1100b. Note that the masking is only performed to the result register. When using the interrupt reporting mechanisms, the result comparison with the low-limit and high-limit registers is unaffected by the ME field.</p>   |
| 1:0 | FC[1:0] | R/W  | 00b   | <p><b>Fault count field (read or write).</b><br/> The fault count field instructs the device as to how many consecutive fault events are required to trigger the interrupt reporting mechanisms: the INT pin, the flag high field (FH), and flag low field (FL). The fault events are described in the latch field (L), flag high field (FH), and flag low field (FL) descriptions.<br/> 00 = One fault count (default)<br/> 01 = Two fault counts<br/> 10 = Four fault counts<br/> 11 = Eight fault counts</p>  |

**7.6.1.1.3 Low-Limit Register (offset = 02h) [reset = C000h]**

This register sets the lower comparison limit for the interrupt reporting mechanisms: the INT pin, the flag high field (FH), and flag low field (FL), as described in the [Interrupt Reporting Mechanism Modes](#) section.

**Figure 25. Low-Limit Register**

|     |     |     |     |      |      |     |     |
|-----|-----|-----|-----|------|------|-----|-----|
| 15  | 14  | 13  | 12  | 11   | 10   | 9   | 8   |
| LE3 | LE2 | LE1 | LE0 | TL11 | TL10 | TL9 | TL8 |
| R/W | R/W | R/W | R/W | R/W  | R/W  | R/W | R/W |
| 7   | 6   | 5   | 4   | 3    | 2    | 1   | 0   |
| TL7 | TL6 | TL5 | TL4 | TL3  | TL2  | TL1 | TL0 |
| R/W | R/W | R/W | R/W | R/W  | R/W  | R/W | R/W |

LEGEND: R/W = Read/Write

**Table 12. Low-Limit Register Field Descriptions**

| Bit   | Field    | Type | Reset | Description  |
|-------|----------|------|-------|--|
| 15:12 | LE[3:0]  | R/W  | 0h    | <b>Exponent.</b><br>These bits are the exponent bits. <a href="#">Table 13</a> provides further details. |
| 11:0  | TL[11:0] | R/W  | 000h  | <b>Result.</b><br>These bits are the result in straight binary coding (zero to full-scale).              |

The format of this register is nearly identical to the format of the result register described in the [Result Register](#). The low-limit register exponent (LE[3:0]) is similar to the result register exponent (E[3:0]). The low-limit register result (TL[11:0]) is similar to result register result (R[11:0]).

The equation to translate this register into the lux threshold is given in [Equation 4](#), which is similar to the equation for the result register, [Equation 3](#).

$$\text{lux} = 0.01 \times (2^{\text{LE}[3:0]}) \times \text{TL}[11:0] \quad (4)$$

[Table 13](#) gives the full-scale range and LSB size as it applies to the low-limit register. The detailed discussion and examples given in for the [Result Register](#) apply to the low-limit register as well.

**Table 13. Full-Scale Range and LSB Size as a Function of Exponent Level**

| LE3 | LE2 | LE1 | LE0 | FULL-SCALE RANGE (lux) | LSB SIZE (lux per LSB) |
|-----|-----|-----|-----|------------------------|------------------------|
| 0   | 0   | 0   | 0   | 40.95                  | 0.01                   |
| 0   | 0   | 0   | 1   | 81.90                  | 0.02                   |
| 0   | 0   | 1   | 0   | 163.80                 | 0.04                   |
| 0   | 0   | 1   | 1   | 327.60                 | 0.08                   |
| 0   | 1   | 0   | 0   | 655.20                 | 0.16                   |
| 0   | 1   | 0   | 1   | 1310.40                | 0.32                   |
| 0   | 1   | 1   | 0   | 2620.80                | 0.64                   |
| 0   | 1   | 1   | 1   | 5241.60                | 1.28                   |
| 1   | 0   | 0   | 0   | 10483.20               | 2.56                   |
| 1   | 0   | 0   | 1   | 20966.40               | 5.12                   |
| 1   | 0   | 1   | 0   | 41932.80               | 10.24                  |
| 1   | 0   | 1   | 1   | 83865.60               | 20.48                  |

**NOTE**

The result and limit registers are all converted to lux values internally for comparison. These registers can have different exponent fields. However, when using a manually-set full-scale range (configuration register, RN < 0Ch, with mask enable (ME) active), programming the manually-set full-scale range into the LE[3:0] and HE[3:0] fields can simplify the choice of programming the register. This simplification results in the user only having to think about the fractional result and not the exponent part of the result.



**7.6.1.1.4 High-Limit Register (offset = 03h) [reset = BFFFh]**

The high-limit register sets the upper comparison limit for the interrupt reporting mechanisms: the INT pin, the flag high field (FH), and flag low field (FL), as described in the [Interrupt Operation, INT Pin, and Interrupt Reporting Mechanisms](#) section. The format of this register is almost identical to the format of the low-limit register (described in the [Low-Limit Register](#)) and the result register (described in the [Result Register](#)). To explain the similarity in more detail, the high-limit register exponent (HE[3:0]) is similar to the low-limit register exponent (LE[3:0]) and the result register exponent (E[3:0]). The high-limit register result (TH[11:0]) is similar to the low-limit result (TH[11:0]) and the result register result (R[11:0]). Note that the comparison of the high-limit register with the result register is unaffected by the ME bit.

When using a manually-set, full-scale range with the mask enable (ME) active, programming the manually-set, full-scale range into the HE[3:0] bits can simplify the choice of values required to program into this register. The formula to translate this register into lux is similar to [Equation 4](#). The full-scale values are similar to [Table 9](#).

**Figure 26. High-Limit Register**

|     |     |     |     |      |      |     |     |
|-----|-----|-----|-----|------|------|-----|-----|
| 15  | 14  | 13  | 12  | 11   | 10   | 9   | 8   |
| HE3 | HE2 | HE1 | HE0 | TH11 | TH10 | TH9 | TH8 |
| R/W | R/W | R/W | R/W | R/W  | R/W  | R/W | R/W |
| 7   | 6   | 5   | 4   | 3    | 2    | 1   | 0   |
| TH7 | TH6 | TH5 | TH4 | TH3  | TH2  | TH1 | TH0 |
| R/W | R/W | R/W | R/W | R/W  | R/W  | R/W | R/W |

LEGEND: R/W = Read/Write

**Table 14. High-Limit Register Field Descriptions**

| Bit   | Field    | Type | Reset | Description   |
|-------|----------|------|-------|---|
| 15:12 | HE[3:0]  | R/W  | Bh    | <b>Exponent.</b><br>These bits are the exponent bits.                                       |
| 11:0  | TH[11:0] | R/W  | FFFh  | <b>Result.</b><br>These bits are the result in straight binary coding (zero to full-scale). |

**7.6.1.1.5 Manufacturer ID Register (offset = 7Eh) [reset = 5449h]**

This register is intended to help uniquely identify the device.

**Figure 27. Manufacturer ID Register**

|      |      |      |      |      |      |     |     |
|------|------|------|------|------|------|-----|-----|
| 15   | 14   | 13   | 12   | 11   | 10   | 9   | 8   |
| ID15 | ID14 | ID13 | ID12 | ID11 | ID10 | ID9 | ID8 |
| R    | R    | R    | R    | R    | R    | R   | R   |
| 7    | 6    | 5    | 4    | 3    | 2    | 1   | 0   |
| ID7  | ID6  | ID5  | ID4  | ID3  | ID2  | ID1 | ID0 |
| R    | R    | R    | R    | R    | R    | R   | R   |

LEGEND: R = Read only

**Table 15. Manufacturer ID Register Field Descriptions**

| Bit  | Field    | Type | Reset | Description  |
|------|----------|------|-------|--|
| 15:0 | ID[15:0] | R    | 5449h | <b>Manufacturer ID.</b><br>The manufacturer ID reads 5449h. In ASCII code, this register reads <i>TI</i> . |

**7.6.1.1.6 Device ID Register (offset = 7Fh) [reset = 3001h]**

This register is also intended to help uniquely identify the device.

**Figure 28. Device ID Register**

|       |       |       |       |       |       |      |      |
|-------|-------|-------|-------|-------|-------|------|------|
| 15    | 14    | 13    | 12    | 11    | 10    | 9    | 8    |
| DID15 | DID14 | DID13 | DID12 | DID11 | DID10 | DID9 | DID8 |
| R     | R     | R     | R     | R     | R     | R    | R    |
| 7     | 6     | 5     | 4     | 3     | 2     | 1    | 0    |
| DID7  | DID6  | DID5  | DID4  | DID3  | DID2  | DID1 | DID0 |
| R     | R     | R     | R     | R     | R     | R    | R    |

LEGEND: R = Read only

**Table 16. Device ID Register Field Descriptions**

| Bit  | Field     | Type | Reset | Description                                     |
|------|-----------|------|-------|---|
| 15:0 | DID[15:0] | R    | 3001h | <b>Device ID.</b><br>The device ID reads 3001h. |

## 8 Application and Implementation

### NOTE

Information in the following applications sections is not part of the TI component specification, and TI does not warrant its accuracy or completeness. TI's customers are responsible for determining suitability of components for their purposes. Customers should validate and test their design implementation to confirm system functionality.

### 8.1 Application Information

Ambient light sensors are used in a wide variety of applications that require control as a function of ambient light. Because ambient light sensors nominally match the human eye spectral response, they are superior to photodiodes when the goal is to create an experience for human beings. Very common applications include display optical-intensity control and industrial or home lighting control.

There are two categories of interface to the OPT3001: electrical and optical.

#### 8.1.1 Electrical Interface

The electrical interface is quite simple, as illustrated in [Figure 29](#). Connect the OPT3001 I<sup>2</sup>C SDA and SCL pins to the same pins of an applications processor, microcontroller, or other digital processor. If that digital processor requires an interrupt resulting from an event of interest from the OPT3001, then connect the INT pin to either an interrupt or general-purpose I/O pin of the processor. There are multiple uses for this interrupt, including signaling the system to wake up from low-power mode, processing other tasks while waiting for an ambient light event of interest, or alerting the processor that a sample is ready to be read. Connect pullup resistors between a power supply appropriate for digital communication and the SDA and SCL pins (because they have open-drain output structures). If the INT pin is used, connect a pullup resistor to the INT pin. A typical value for these pullup resistors is 10 k $\Omega$ . The resistor choice can be optimized in conjunction to the bus capacitance to balance the system speed, power, noise immunity, and other requirements.

The power supply and grounding considerations are discussed in the [Power-Supply Recommendations](#) section.

Although spike suppression is integrated in the SDA and SCL pin circuits, use proper layout practices to minimize the amount of coupling into the communication lines. One possible introduction of noise occurs from capacitively coupling signal edges between the two communication lines themselves. Another possible noise introduction comes from other switching noise sources present in the system, especially for long communication lines. In noisy environments, shield communication lines to reduce the possibility of unintended noise coupling into the digital I/O lines that could be incorrectly interpreted.

#### 8.1.2 Optical Interface

The optical interface is physically located within the package, facing away from the PCB, as specified by the *Sensor Area* in [Figure 37](#).

Physical components, such as a plastic housing and a window that allows light from outside of the design to illuminate the sensor (see [Figure 30](#)), can help protect the OPT3001 and neighboring circuitry. Sometimes, a dark or opaque window is used to further enhance the visual appeal of the design by hiding the sensor from view. This window material is typically transparent plastic or glass.

Any physical component that affects the light that illuminates the sensing area of a light sensor also affects the performance of that light sensor. Therefore, for optimal performance, make sure to understand and control the effect of these components. Design a window width and height to permit light from a sufficient field of view to illuminate the sensor. For best performance, use a field of view of at least  $\pm 35^\circ$ , or ideally  $\pm 45^\circ$  or more. Understanding and designing the field of view is discussed further in application report [SBEA002, OPT3001: Ambient Light Sensor Application Guide](#).

## Application Information (continued)

The visible-spectrum transmission for dark windows typically ranges between 5% to 30%, but can be less than 1%. Specify a visible-spectrum transmission as low as, but no more than, necessary to achieve sufficient visual appeal because decreased transmission decreases the available light for the sensor to measure. The windows are made dark by either applying an ink to a transparent window material, or including a dye or other optical substance within the window material itself. This attenuating transmission in the visible spectrum of the window creates a ratio between the light on the outside of the design and the light that is measured by the OPT3001. To accurately measure the light outside of the design, compensate the OPT3001 measurement for this ratio; an example is given in [Dark Window Selection and Compensation](#).

Ambient light sensors are used to help create ideal lighting experiences for humans; therefore, the matching of the sensor spectral response to that of the human eye response is vital. Infrared light is not visible to the human eye, and can interfere with the measurement of visible light when sensors lack infrared rejection. Therefore, the ratio of visible light to interfering infrared light affects the accuracy of any practical system that represents the human eye. The strong rejection of infrared light by the OPT3001 allows measurements consistent with human perception under high-infrared lighting conditions, such as from incandescent, halogen, or sunlight sources.

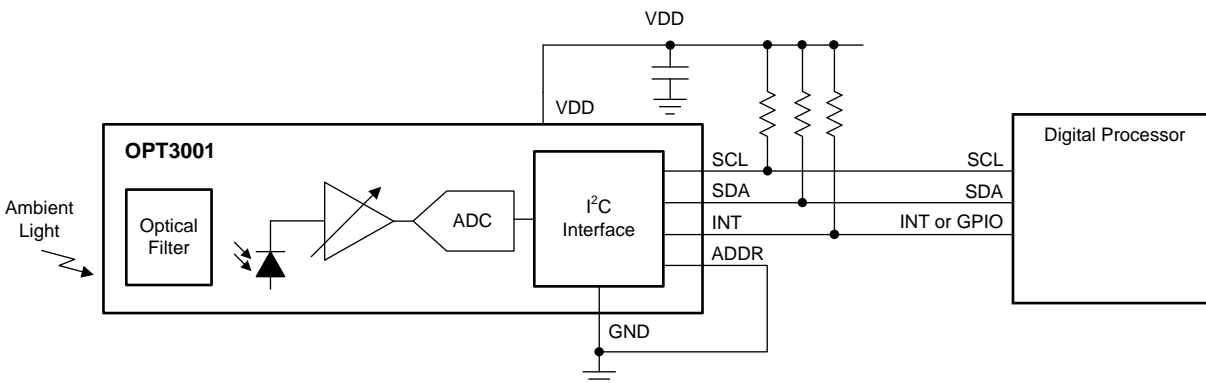
Although the inks and dyes of dark windows serve their primary purpose of being minimally transmissive to visible light, some inks and dyes can also be very transmissive to infrared light. The use of these inks and dyes further decreases the ratio of visible to infrared light, and thus decreases sensor measurement accuracy. However, because of the excellent infrared rejection of the OPT3001, this effect is minimized, and good results are achieved under a dark window with similar spectral responses to those shown in [Figure 31](#).

For best accuracy, avoid grill-like window structures, unless the designer understands the optical effects sufficiently. These grill-like window structures create a nonuniform illumination pattern at the sensor that make light measurement results vary with placement tolerances and angle of incidence of the light. If a grill-like structure is desired, the OPT3001 is an excellent sensor choice because it is minimally sensitive to illumination uniformity issues disrupting the measurement process.

Light pipes can appear attractive for aiding in the optomechanical design that brings light to the sensor; however, do not use light pipes with any ambient light sensor unless the system designer fully understands the ramifications of the optical physics of light pipes within the full context of his design and objectives.

## 8.2 Typical Application

Measuring the ambient light with the OPT3001 in a product case and under a dark window is described in this section. The schematic for this design is shown in [Figure 29](#).



**Figure 29. Measuring Ambient Light in a Product Case Behind a Dark Window**

## Typical Application (continued)

### 8.2.1 Design Requirements

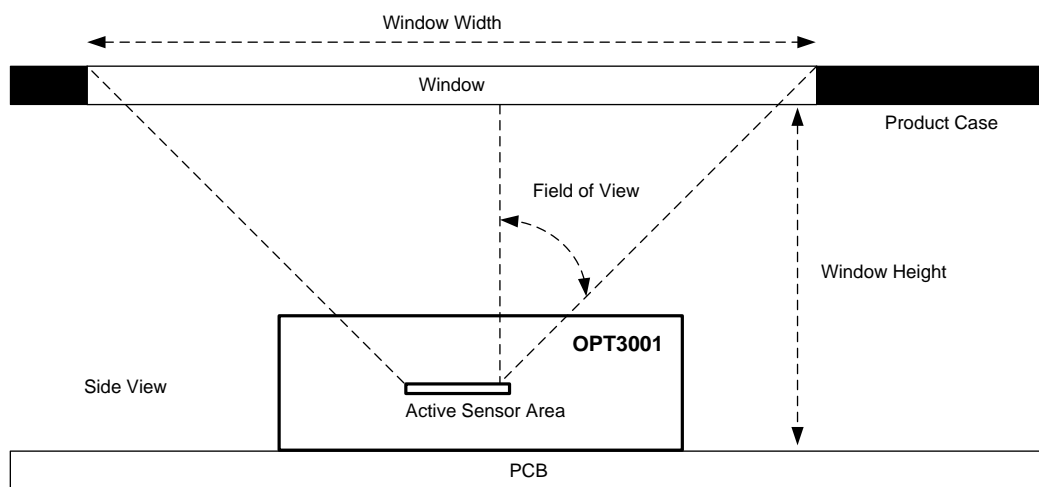
The basic requirements of this design are:

- Sensor is hidden under dark glass so that sensor is not obviously visible. Note that this requirement is subjective to designer preference.
- Accuracy of measurement of fluorescent light is 15%
- Variation in measurement between fluorescent, halogen, and incandescent bulbs (also known as light source variation) is as small as possible.

### 8.2.2 Detailed Design Procedure

#### 8.2.2.1 Optomechanical Design

After completing the electrical design, the next task is the optomechanical design. Design a product case that includes a window to transmit the light from outside the product to the sensor, as shown in [Figure 30](#). Design the window width and window height to give a  $\pm 45^\circ$  field of view. A rigorous design of the field of view takes into account the location of the sensor area, as shown in [Figure 37](#). The OPT3001 active sensor area is centered along one axis of the package top view, but has a minor offset on the other axis of the top view. Window sizing and placement is discussed in more rigorous detail in application report [SBEA002, OPT3001: Ambient Light Sensor Application Guide](#).



**Figure 30. Product Case and Window Over the OPT3001**

#### 8.2.2.2 Dark Window Selection and Compensation

There are several approaches to selecting and compensating for a dark window. One of many approaches is the method described here.

Sample several different windows with various levels of darkness. Choose a window that is dark enough to optimize the balance between the aesthetics of the device and sensor performance. Note that the aesthetic evaluation is the subjective opinion of the designer; therefore, it is more important to see the window on the physical design rather than refer to window transmission specifications on paper. Make sure that the chosen window is not darker than absolutely necessary because a darker window allows less light to illuminate the sensor and therefore impedes sensor accuracy.

The window chosen for this application example is dark and has less than 7% transmission at 550 nm. [Figure 31](#) shows the normalized response of the spectrum. Note that the equipment used to measure the transmission spectrum is not capable of measuring the absolute accuracy (non-normalized) of the dark window sample, but only the relative normalized spectrum. Also note that the window is much more transmissive to infrared wavelengths longer than 700 nm than to visible wavelengths between 400 nm and 650 nm. This imbalance between infrared and visible light decreases the ratio of visible light to infrared light at the sensor. Although it is preferable to have the window decrease this ratio as little as possible (by having a window with a close ratio of visible transmission to infrared transmission), the OPT3001 still performs well as shown in [Figure 34](#).

Typical Application (continued)

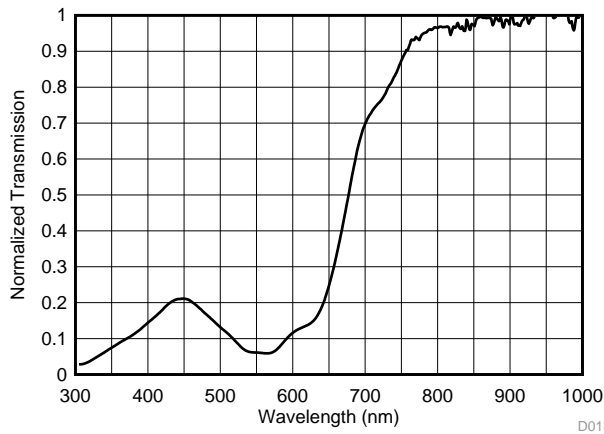


Figure 31. Normalized Transmission Spectral Response of the Chosen Dark Window

After choosing the dark window, measure the attenuating effect of the dark window for later compensation. In order to measure this attenuation, measure a fluorescent light source with a lux meter, then measure that same light with the OPT3001 under the dark window. To measure accurately, it is important to use a fixture that can accommodate either the lux meter or the design containing the OPT3001 and dark window, with the center of each of the sensing areas being in exactly the same X, Y, Z location, as shown in Figure 32. The Z placement of the design (distance from the light source) is the top of the window, and not the OPT3001 itself.

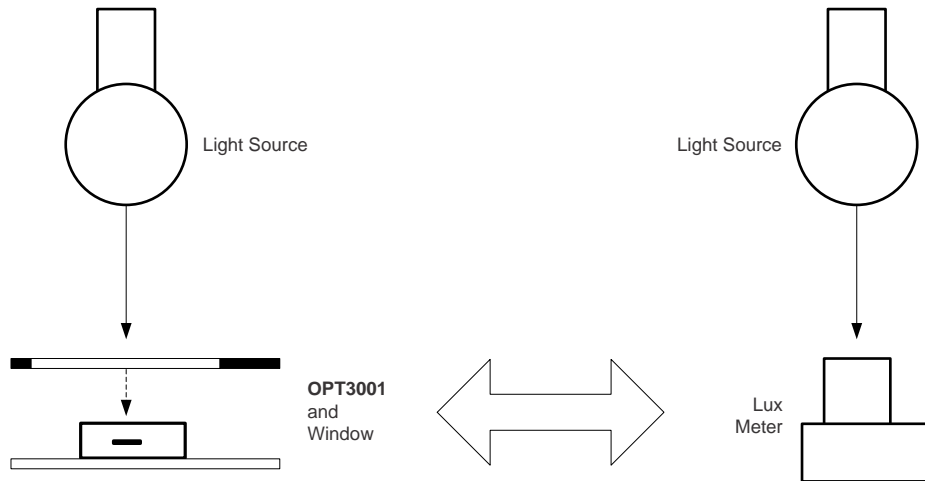


Figure 32. Fixture with One Light Source Accommodating Either a Lux Meter or the Design (Window and OPT3001) in the Exact Same X,Y,Z Position

The fluorescent light in this location measures 1000 lux with the lux meter, and 73 lux with the OPT3001 under the dark window within the application. Therefore, the window has an effective transmission of 7.3% for the fluorescent light. This 7.3% is the weighted average attenuation across the entire spectrum, weighted by the spectral response of the lux meter (or photopic response).

For all subsequent OPT3001 measurements under this dark window, the following formula is applied.

$$\text{Compensated Measurement} = \text{Uncompensated Measurement} / (7.3\%) \tag{5}$$

## Typical Application (continued)

### 8.2.3 Application Curves

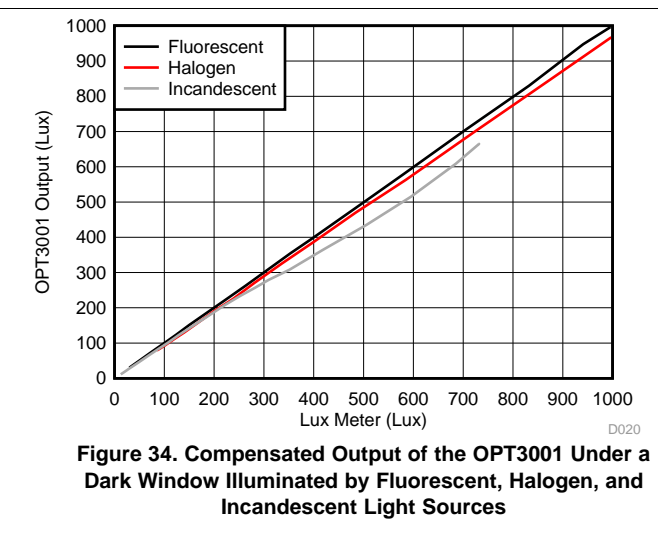
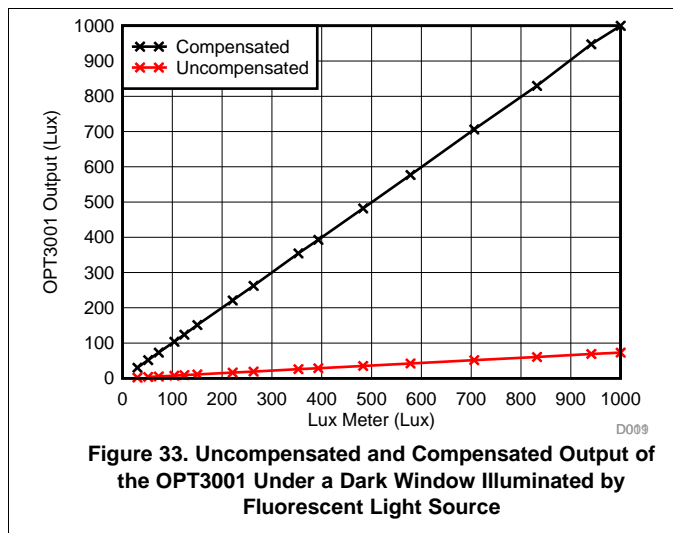
To validate that the design example now measures correctly, create a sequential number of different light intensities with the fluorescent light by using neutral density filters to attenuate the light. Different light intensities can also be created by changing the distance between the light source, and the measurement devices. However, these two methods for changing the light level have minor accuracy tradeoffs that are beyond the scope of this discussion. Measure each intensity with both the lux meter and the OPT3001 under the window, and compensate using Equation 5. The results are displayed in Figure 33, and show that the application accurately reports results very similar to the lux meter.

To validate that the design measures a variety of light sources correctly, despite the large ratio of infrared transmission to visible light transmission of the window, measure the application with a halogen bulb and an incandescent bulb. Use the physical location and light attenuation procedures that were used for the fluorescent light. The results are shown in Figure 34.

The addition of the dark window changes the results as seen by comparing the results of the same measurement with a window (Figure 34) and without a window (Figure 3). Even after the expected change, the performance is still good. All data are both within 15% of the correct answer, and within 15% of the other bulb measurements.

Results can vary at different angles of light because the OPT3001 does not match the lux meter at all angles of light.

If the measurement variation between the light sources is not acceptable, choose a different window that has a closer ratio of visible light transmission to infrared light transmission.



### 8.3 Do's and Don'ts

As with any optical product, special care must be taken into consideration when handling the OPT3001. Although the OPT3001 has low sensitivity to dust and scratches, proper optical device handling procedures are still recommended.

The optical surface of the device must be kept clean for optimal performance in both prototyping with the device and mass production manufacturing procedures. Tweezers with plastic or rubber contact surfaces are recommended to avoid scratches on the optical surface. Avoid manipulation with metal tools when possible. The optical surface must be kept clean of fingerprints, dust, and other optical-inhibiting contaminants.

If the device optical surface requires cleaning, the use of de-ionized water or isopropyl alcohol is recommended. A few gentle brushes with a soft swab are appropriate. Avoid potentially abrasive cleaning and manipulating tools and excessive force that can scratch the optical surface.

If the OPT3001 performs less than optimally, inspect the optical surface for dirt, scratches, or other optical artifacts.

## 9 Power-Supply Recommendations

Although the OPT3001 has low sensitivity to power-supply issues, good practices are always recommended. For best performance, the OPT3001  $V_{DD}$  pin must have a stable, low-noise power supply with a 100-nF bypass capacitor close to the device and solid grounding. There are many options for powering the OPT3001 because the device current consumption levels are very low.



## 10 Layout

### 10.1 Layout Guidelines

The PCB layout design for the OPT3001 requires a couple of considerations. Bypass the power supply with a capacitor placed close to the OPT3001. Note that optically reflective surfaces of components also affect the performance of the design. The three-dimensional geometry of all components and structures around the sensor must be taken into consideration to prevent unexpected results from secondary optical reflections. Placing capacitors and components at a distance of at least twice the height of the component is usually sufficient. The most optimal optical layout is to place all close components on the opposite side of the PCB from the OPT3001. However, this approach may not be practical for the constraints of every design.

Electrically connecting the thermal pad to ground is recommended. This connection can be created either with a PCB trace or with vias to ground directly on the thermal pad itself. If the thermal pad contains vias, they are recommended to be of a small diameter ( $< 0.2$  mm) to prevent them from wicking the solder away from the appropriate surfaces.

An example PCB layout with the OPT3001 is shown in [Figure 35](#).

### 10.2 Layout Example

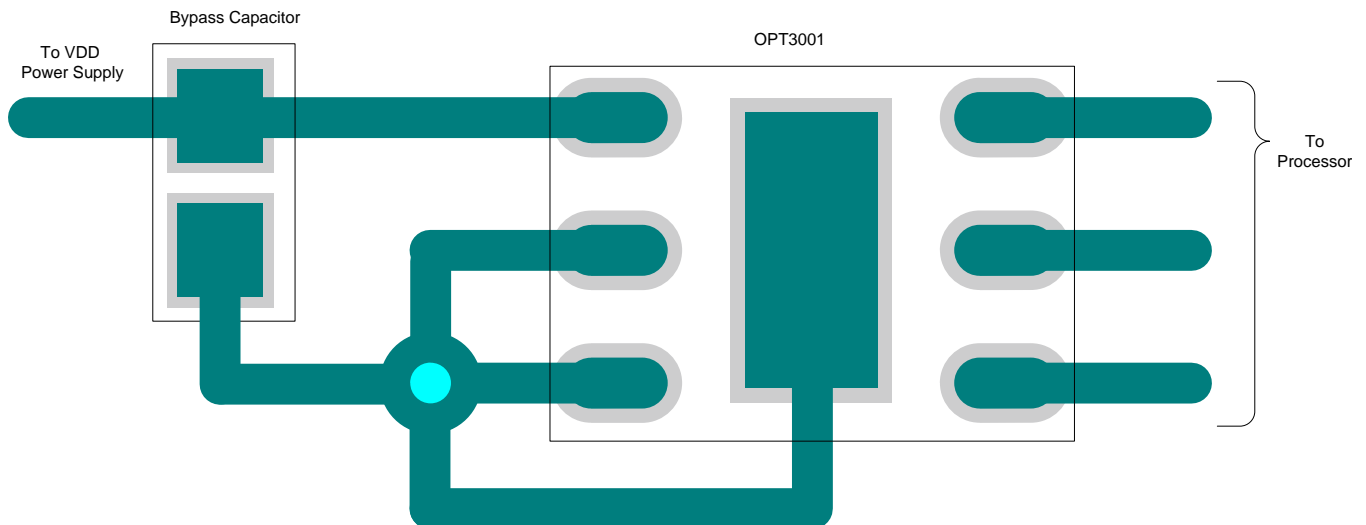


Figure 35. Example PCB Layout with the OPT3001

## 11 Device and Documentation Support

### 11.1 Documentation Support

#### 11.1.1 Related Documentation

For related documentation see the following:

- [SBEA002](#)—*OPT3001: Ambient Light Sensor Application Guide*
- [SBOU134](#)—*OPT3001EVM User's Guide*
- [SLUA271](#)—*QFN/SON PCB Attachment Application Report*

### 11.2 Trademarks

All trademarks are the property of their respective owners.

### 11.3 Electrostatic Discharge Caution



This integrated circuit can be damaged by ESD. Texas Instruments recommends that all integrated circuits be handled with appropriate precautions. Failure to observe proper handling and installation procedures can cause damage.

ESD damage can range from subtle performance degradation to complete device failure. Precision integrated circuits may be more susceptible to damage because very small parametric changes could cause the device not to meet its published specifications.

### 11.4 Glossary

[SLYZ022](#) — *TI Glossary*.

This glossary lists and explains terms, acronyms, and definitions.

## 12 Mechanical, Packaging, and Orderable Information

The following pages include mechanical packaging and orderable information. This information is the most current data available for the designated devices. This data is subject to change without notice and revision of this document. For browser-based versions of this data sheet, refer to the left-hand navigation.

### 12.1 Soldering and Handling Recommendations

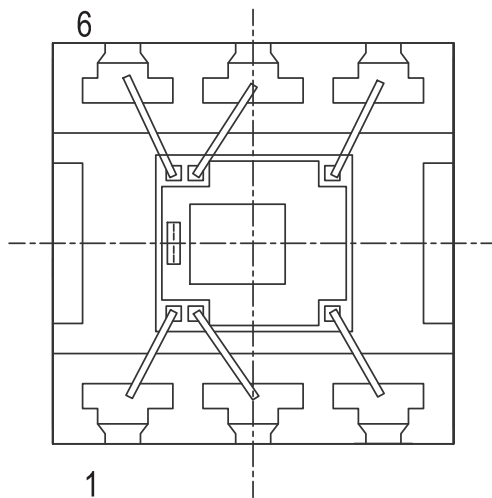
The OPT3001 has been qualified for three soldering reflow operations per JEDEC JSTD-020.

Note that excessive heat may discolor the device and affect optical performance.

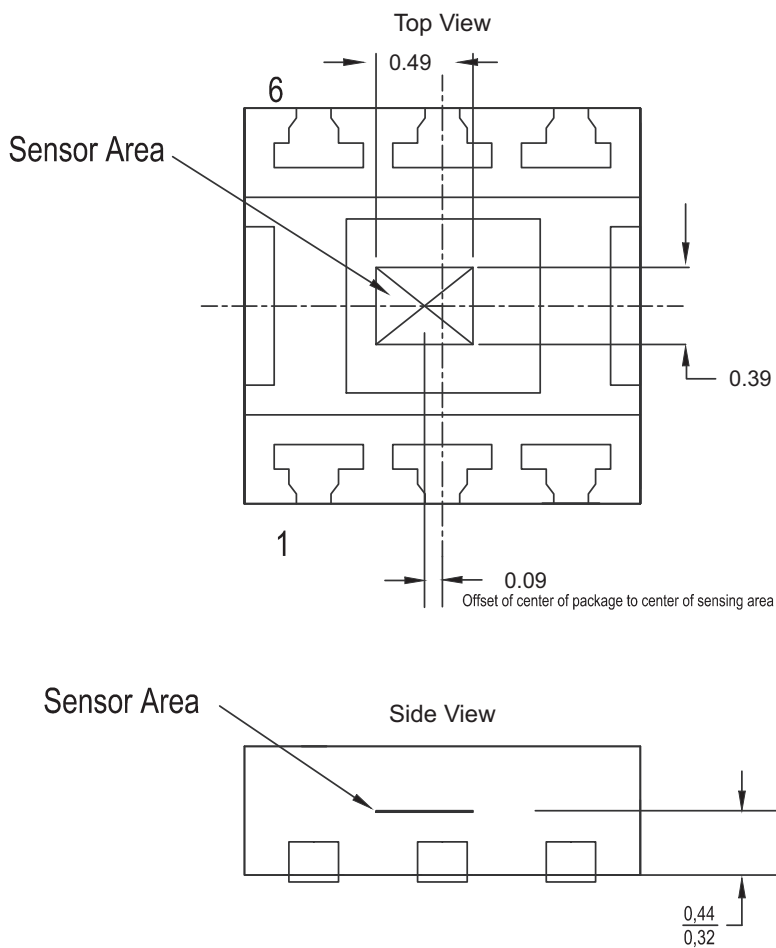
See application report [SLUA271, QFN/SON PCB Attachment](#), for details on soldering thermal profile and other information. If the OPT3001 must be removed from a PCB, discard the device and do not reattach.

As with most optical devices, handle the OPT3001 with special care to ensure optical surfaces stay clean and free from damage. See the [Do's and Don'ts](#) section for more detailed recommendations. For best optical performance, solder flux and any other possible debris must be cleaned after soldering processes.

**12.2 DNP (S-PDSO-N6) Mechanical Drawings**



**Figure 36. Package Orientation Visual Reference of Pin 1 (Top View)**



**Figure 37. Mechanical Outline Showing Sensing Area Location (Top and Side Views)**

**PACKAGING INFORMATION**

| Orderable Device | Status<br>(1) | Package Type | Package Drawing | Pins | Package Qty | Eco Plan<br>(2)         | Lead/Ball Finish<br>(6) | MSL Peak Temp<br>(3) | Op Temp (°C) | Device Marking<br>(4/5) | Samples                 |
|------------------|---------------|--------------|-----------------|------|-------------|-------------------------|-------------------------|----------------------|--------------|-------------------------|-------------------------|
| OPT3001DNPR      | ACTIVE        | USON         | DNP             | 6    | 3000        | Green (RoHS & no Sb/Br) | CU NIPDAUAG             | Level-3-260C-168 HR  | -40 to 85    | ED                      | <a href="#">Samples</a> |
| OPT3001DNPT      | ACTIVE        | USON         | DNP             | 6    | 250         | Green (RoHS & no Sb/Br) | CU NIPDAUAG             | Level-3-260C-168 HR  | -40 to 85    | ED                      | <a href="#">Samples</a> |

(1) The marketing status values are defined as follows:

**ACTIVE:** Product device recommended for new designs.

**LIFEBUY:** TI has announced that the device will be discontinued, and a lifetime-buy period is in effect.

**NRND:** Not recommended for new designs. Device is in production to support existing customers, but TI does not recommend using this part in a new design.

**PREVIEW:** Device has been announced but is not in production. Samples may or may not be available.

**OBsolete:** TI has discontinued the production of the device.

(2) Eco Plan - The planned eco-friendly classification: Pb-Free (RoHS), Pb-Free (RoHS Exempt), or Green (RoHS & no Sb/Br) - please check <http://www.ti.com/productcontent> for the latest availability information and additional product content details.

**TBD:** The Pb-Free/Green conversion plan has not been defined.

**Pb-Free (RoHS):** TI's terms "Lead-Free" or "Pb-Free" mean semiconductor products that are compatible with the current RoHS requirements for all 6 substances, including the requirement that lead not exceed 0.1% by weight in homogeneous materials. Where designed to be soldered at high temperatures, TI Pb-Free products are suitable for use in specified lead-free processes.

**Pb-Free (RoHS Exempt):** This component has a RoHS exemption for either 1) lead-based flip-chip solder bumps used between the die and package, or 2) lead-based die adhesive used between the die and leadframe. The component is otherwise considered Pb-Free (RoHS compatible) as defined above.

**Green (RoHS & no Sb/Br):** TI defines "Green" to mean Pb-Free (RoHS compatible), and free of Bromine (Br) and Antimony (Sb) based flame retardants (Br or Sb do not exceed 0.1% by weight in homogeneous material)

(3) MSL, Peak Temp. - The Moisture Sensitivity Level rating according to the JEDEC industry standard classifications, and peak solder temperature.

(4) There may be additional marking, which relates to the logo, the lot trace code information, or the environmental category on the device.

(5) Multiple Device Markings will be inside parentheses. Only one Device Marking contained in parentheses and separated by a "~" will appear on a device. If a line is indented then it is a continuation of the previous line and the two combined represent the entire Device Marking for that device.

(6) Lead/Ball Finish - Orderable Devices may have multiple material finish options. Finish options are separated by a vertical ruled line. Lead/Ball Finish values may wrap to two lines if the finish value exceeds the maximum column width.

**Important Information and Disclaimer:** The information provided on this page represents TI's knowledge and belief as of the date that it is provided. TI bases its knowledge and belief on information provided by third parties, and makes no representation or warranty as to the accuracy of such information. Efforts are underway to better integrate information from third parties. TI has taken and continues to take reasonable steps to provide representative and accurate information but may not have conducted destructive testing or chemical analysis on incoming materials and chemicals. TI and TI suppliers consider certain information to be proprietary, and thus CAS numbers and other limited information may not be available for release.

In no event shall TI's liability arising out of such information exceed the total purchase price of the TI part(s) at issue in this document sold by TI to Customer on an annual basis.

**TAPE AND REEL INFORMATION**

**QUADRANT ASSIGNMENTS FOR PIN 1 ORIENTATION IN TAPE**

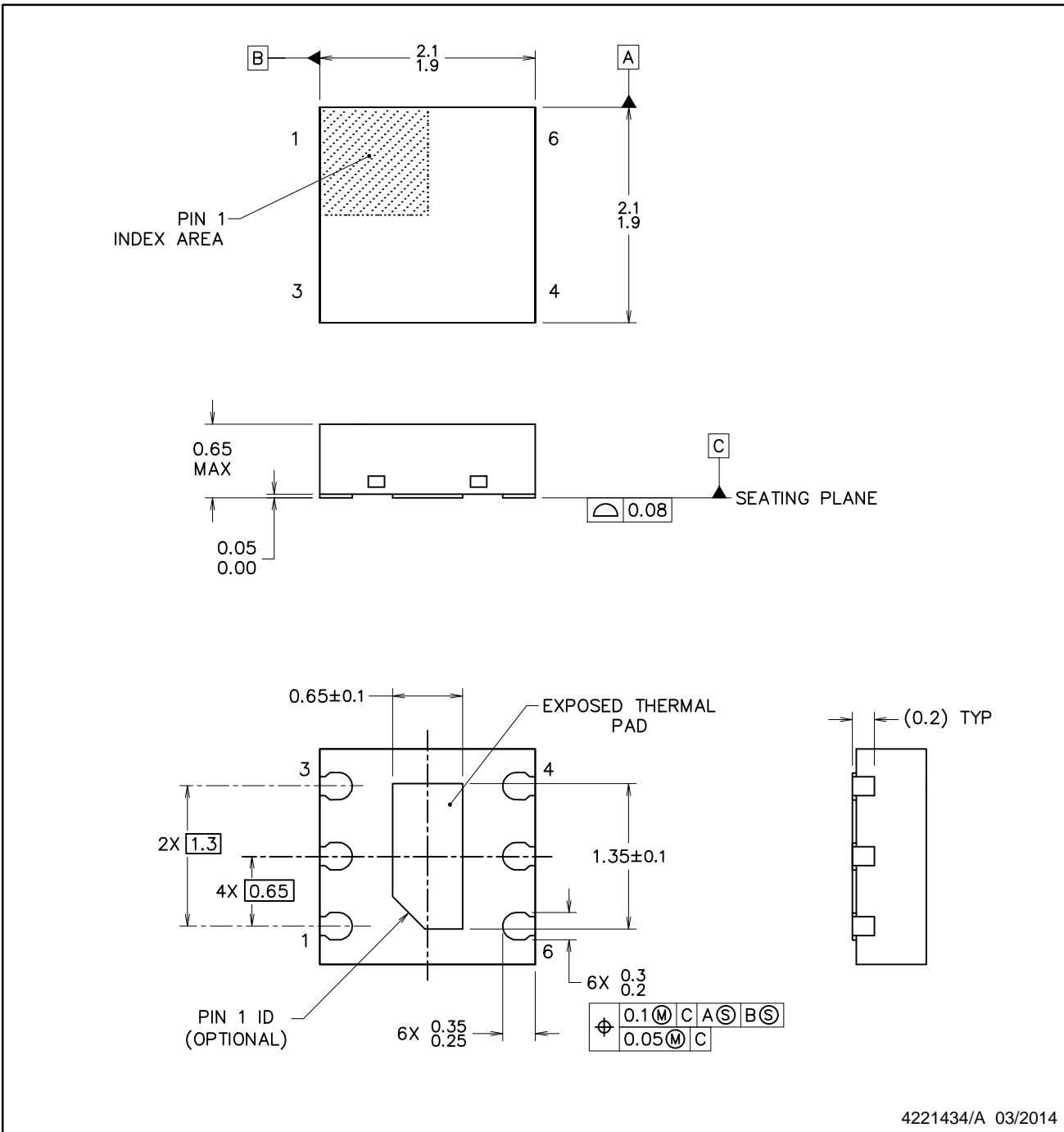

\*All dimensions are nominal

| Device      | Package Type | Package Drawing | Pins | SPQ  | Reel Diameter (mm) | Reel Width W1 (mm) | A0 (mm) | B0 (mm) | K0 (mm) | P1 (mm) | W (mm) | Pin1 Quadrant |
|-------------|--------------|-----------------|------|------|--------------------|--------------------|---------|---------|---------|---------|--------|---------------|
| OPT3001DNPR | USON         | DNP             | 6    | 3000 | 330.0              | 18.4               | 2.3     | 2.3     | 0.9     | 8.0     | 12.0   | Q1            |
| OPT3001DNPT | USON         | DNP             | 6    | 250  | 180.0              | 12.4               | 2.3     | 2.3     | 0.9     | 8.0     | 12.0   | Q1            |

**TAPE AND REEL BOX DIMENSIONS**


\*All dimensions are nominal

| Device      | Package Type | Package Drawing | Pins | SPQ  | Length (mm) | Width (mm) | Height (mm) |
|-------------|--------------|-----------------|------|------|-------------|------------|-------------|
| OPT3001DNPR | USON         | DNP             | 6    | 3000 | 356.0       | 338.0      | 48.0        |
| OPT3001DNPT | USON         | DNP             | 6    | 250  | 193.0       | 193.0      | 70.0        |



4221434/A 03/2014

NOTES:

1. All linear dimensions are in millimeters. Any dimensions in parenthesis are for reference only. Dimensioning and tolerancing per ASME Y14.5M.
2. This drawing is subject to change without notice.
3. The package thermal pad must be soldered to the printed circuit board for thermal and mechanical performance.
4. Optical package with clear mold compound.

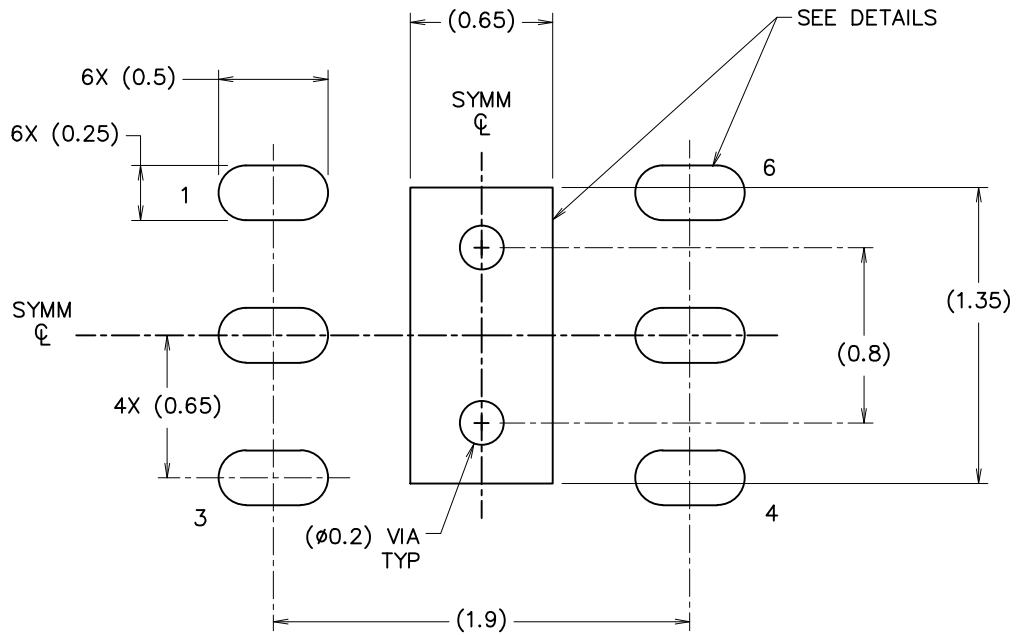


# EXAMPLE BOARD LAYOUT

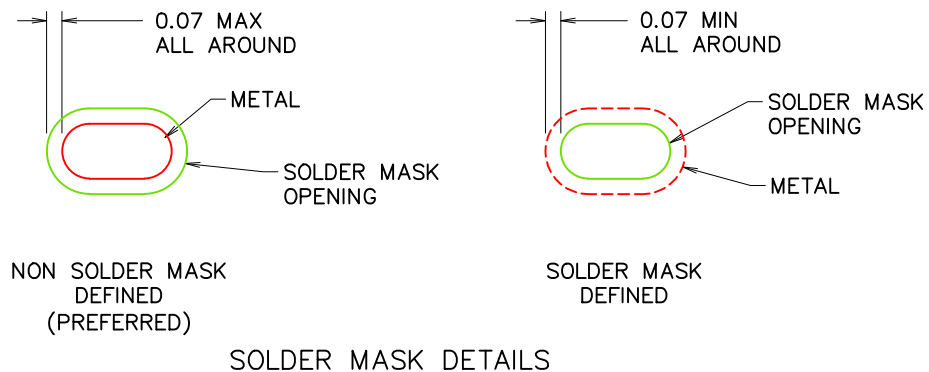
USON - 0.65 mm max height

DNP0006A

PLASTIC SMALL OUTLINE NO-LEAD



LAND PATTERN EXAMPLE  
SCALE: 30X



SOLDER MASK DETAILS

4221434/A 03/2014

NOTES: (continued)

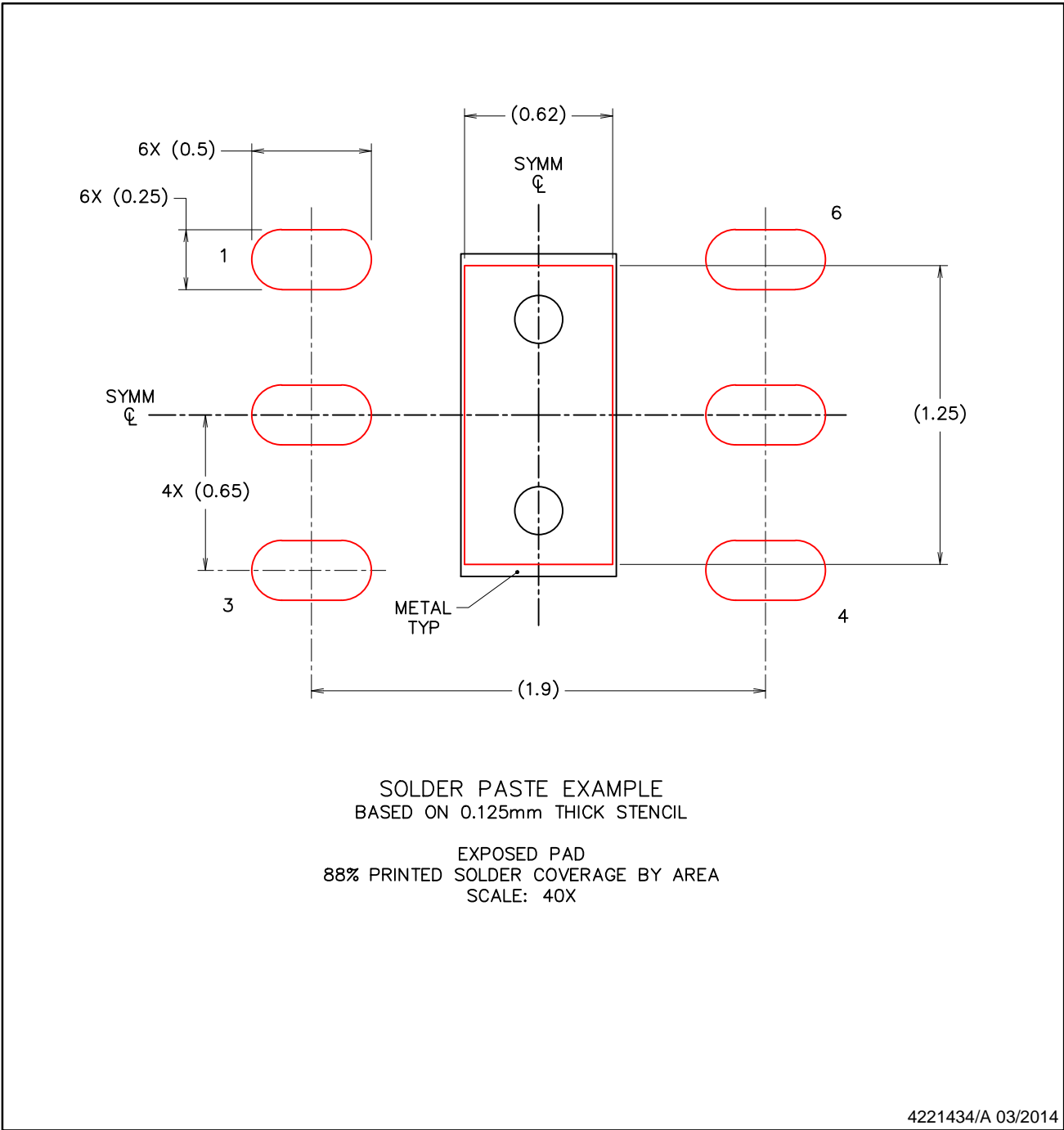
- This package is designed to be soldered to a thermal pad on the board. For more information, see Texas Instruments literature number SLUA271 ([www.ti.com/lit/slua271](http://www.ti.com/lit/slua271)).

# EXAMPLE STENCIL DESIGN

DNP0006A

USON - 0.65 mm max height

PLASTIC SMALL OUTLINE NO-LEAD



NOTES: (continued)

- 6. Laser cutting apertures with trapezoidal walls and rounded corners may offer better paste release. IPC-7525 may have alternate design recommendations.

## IMPORTANT NOTICE

Texas Instruments Incorporated and its subsidiaries (TI) reserve the right to make corrections, enhancements, improvements and other changes to its semiconductor products and services per JESD46, latest issue, and to discontinue any product or service per JESD48, latest issue. Buyers should obtain the latest relevant information before placing orders and should verify that such information is current and complete. All semiconductor products (also referred to herein as "components") are sold subject to TI's terms and conditions of sale supplied at the time of order acknowledgment.

TI warrants performance of its components to the specifications applicable at the time of sale, in accordance with the warranty in TI's terms and conditions of sale of semiconductor products. Testing and other quality control techniques are used to the extent TI deems necessary to support this warranty. Except where mandated by applicable law, testing of all parameters of each component is not necessarily performed.

TI assumes no liability for applications assistance or the design of Buyers' products. Buyers are responsible for their products and applications using TI components. To minimize the risks associated with Buyers' products and applications, Buyers should provide adequate design and operating safeguards.

TI does not warrant or represent that any license, either express or implied, is granted under any patent right, copyright, mask work right, or other intellectual property right relating to any combination, machine, or process in which TI components or services are used. Information published by TI regarding third-party products or services does not constitute a license to use such products or services or a warranty or endorsement thereof. Use of such information may require a license from a third party under the patents or other intellectual property of the third party, or a license from TI under the patents or other intellectual property of TI.

Reproduction of significant portions of TI information in TI data books or data sheets is permissible only if reproduction is without alteration and is accompanied by all associated warranties, conditions, limitations, and notices. TI is not responsible or liable for such altered documentation. Information of third parties may be subject to additional restrictions.

Resale of TI components or services with statements different from or beyond the parameters stated by TI for that component or service voids all express and any implied warranties for the associated TI component or service and is an unfair and deceptive business practice. TI is not responsible or liable for any such statements.

Buyer acknowledges and agrees that it is solely responsible for compliance with all legal, regulatory and safety-related requirements concerning its products, and any use of TI components in its applications, notwithstanding any applications-related information or support that may be provided by TI. Buyer represents and agrees that it has all the necessary expertise to create and implement safeguards which anticipate dangerous consequences of failures, monitor failures and their consequences, lessen the likelihood of failures that might cause harm and take appropriate remedial actions. Buyer will fully indemnify TI and its representatives against any damages arising out of the use of any TI components in safety-critical applications.

In some cases, TI components may be promoted specifically to facilitate safety-related applications. With such components, TI's goal is to help enable customers to design and create their own end-product solutions that meet applicable functional safety standards and requirements. Nonetheless, such components are subject to these terms.

No TI components are authorized for use in FDA Class III (or similar life-critical medical equipment) unless authorized officers of the parties have executed a special agreement specifically governing such use.

Only those TI components which TI has specifically designated as military grade or "enhanced plastic" are designed and intended for use in military/aerospace applications or environments. Buyer acknowledges and agrees that any military or aerospace use of TI components which have **not** been so designated is solely at the Buyer's risk, and that Buyer is solely responsible for compliance with all legal and regulatory requirements in connection with such use.

TI has specifically designated certain components as meeting ISO/TS16949 requirements, mainly for automotive use. In any case of use of non-designated products, TI will not be responsible for any failure to meet ISO/TS16949.

### Products

|                              |  |
|------------------------------|--|
| Audio                        | <a href="http://www.ti.com/audio">www.ti.com/audio</a>                               |
| Amplifiers                   | <a href="http://amplifier.ti.com">amplifier.ti.com</a>                               |
| Data Converters              | <a href="http://dataconverter.ti.com">dataconverter.ti.com</a>                       |
| DLP® Products                | <a href="http://www.dlp.com">www.dlp.com</a>   |
| DSP                          | <a href="http://dsp.ti.com">dsp.ti.com</a>   |
| Clocks and Timers            | <a href="http://www.ti.com/clocks">www.ti.com/clocks</a>                             |
| Interface                    | <a href="http://interface.ti.com">interface.ti.com</a>                               |
| Logic                        | <a href="http://logic.ti.com">logic.ti.com</a>                                       |
| Power Mgmt                   | <a href="http://power.ti.com">power.ti.com</a>                                       |
| Microcontrollers             | <a href="http://microcontroller.ti.com">microcontroller.ti.com</a>                   |
| RFID                         | <a href="http://www.ti-rfid.com">www.ti-rfid.com</a>                                 |
| OMAP Applications Processors | <a href="http://www.ti.com/omap">www.ti.com/omap</a>                                 |
| Wireless Connectivity        | <a href="http://www.ti.com/wirelessconnectivity">www.ti.com/wirelessconnectivity</a> |

### Applications

|                               |  |
|-------------------------------|--|
| Automotive and Transportation | <a href="http://www.ti.com/automotive">www.ti.com/automotive</a>                         |
| Communications and Telecom    | <a href="http://www.ti.com/communications">www.ti.com/communications</a>                 |
| Computers and Peripherals     | <a href="http://www.ti.com/computers">www.ti.com/computers</a>                           |
| Consumer Electronics          | <a href="http://www.ti.com/consumer-apps">www.ti.com/consumer-apps</a>                   |
| Energy and Lighting           | <a href="http://www.ti.com/energy">www.ti.com/energy</a>                                 |
| Industrial                    | <a href="http://www.ti.com/industrial">www.ti.com/industrial</a>                         |
| Medical                       | <a href="http://www.ti.com/medical">www.ti.com/medical</a>                               |
| Security                      | <a href="http://www.ti.com/security">www.ti.com/security</a>                             |
| Space, Avionics and Defense   | <a href="http://www.ti.com/space-avionics-defense">www.ti.com/space-avionics-defense</a> |
| Video and Imaging             | <a href="http://www.ti.com/video">www.ti.com/video</a>                                   |

### TI E2E Community

[e2e.ti.com](http://e2e.ti.com)