

SpeedyProto Prototyping PCB Boards in Different Sizes

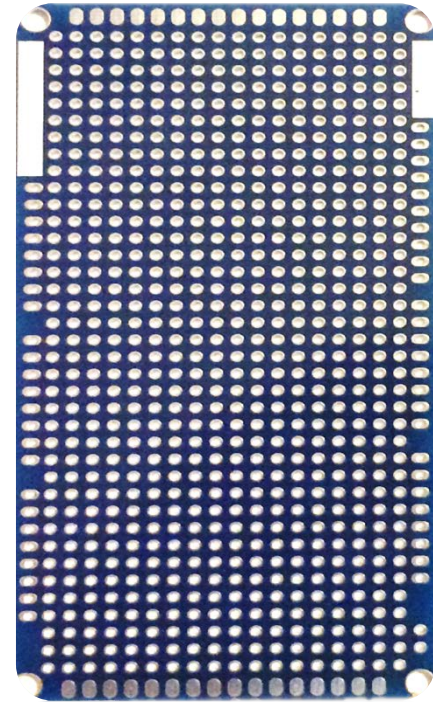
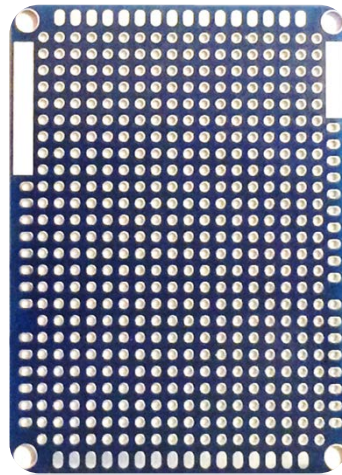
Convenient Wiring, Low Noise, and Arduino Dev. Board Compatible

by Speedy Lab

SpeedyProto Tindy – 1000 mil x 1000 mil

SpeedyProto Uno – 2800 mil x 2100 mil, Arduino Uno Compatible

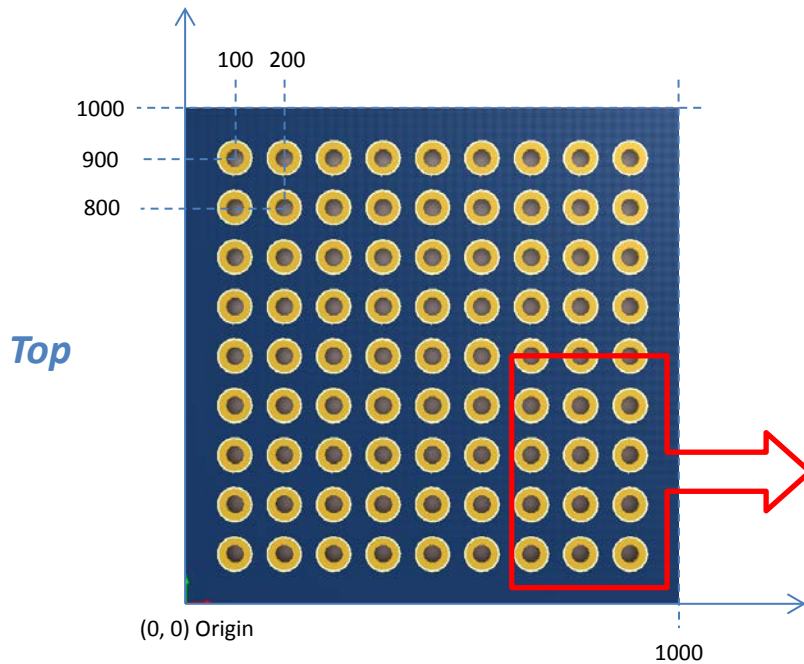
SpeedyProto Mega – 4100 mil x 2100 mil, Arduino Mega Compatible



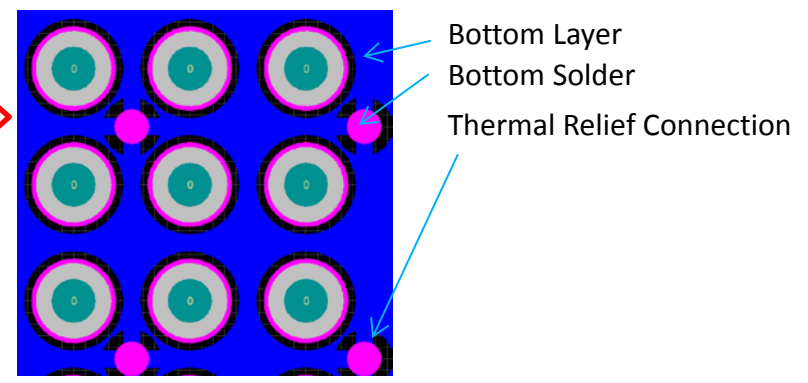
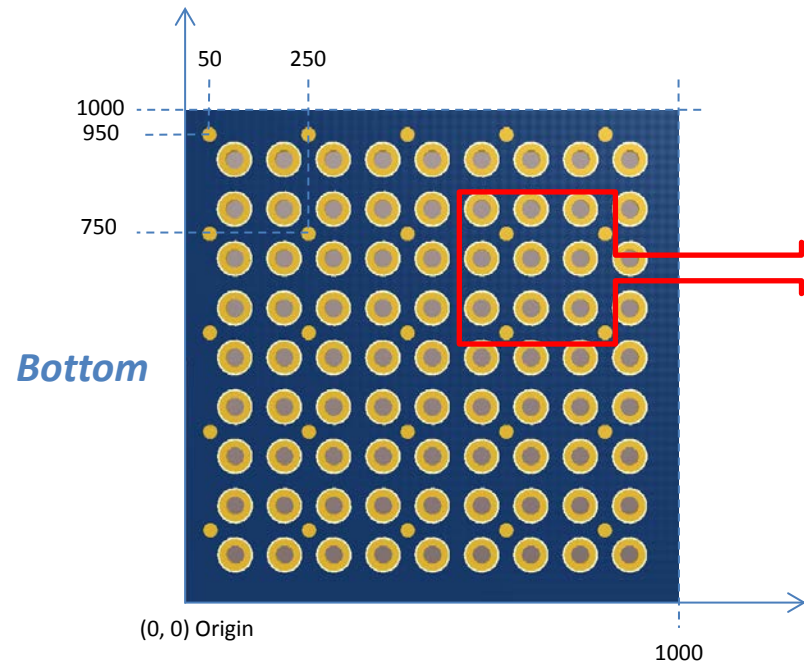
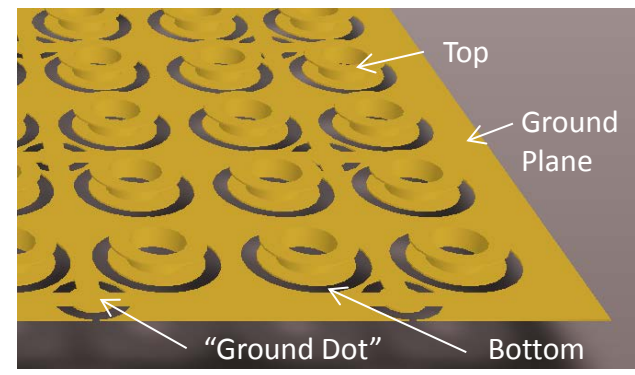
Features and Benefits

Features	Benefits	
<p><i>Easy Access to Ground</i></p>	<ul style="list-style-type: none"> - Ground Plane at the Bottom Layer - “Ground Dot” with Thermal Relief Connection to Bottom Ground Layer - Double Layer Board 	<ul style="list-style-type: none"> - Every Component has Easy Access to Ground - Cut Fly Wires in Half Comparing with Conventional Prototype Bread Boards - Better Noise Immunity - “Ground Dot” Provides Shortest Ground Path for Decoupling Capacitors
<p><i>Big Component Pads</i></p>	<ul style="list-style-type: none"> - Big Component Pads Good for Both Through Hole and Surface Mount Components 	<ul style="list-style-type: none"> - Surface Mount Components of Various Footprints Can be Easily Soldered On Board - Less Distance Between Pads Makes Wiring Easier by Using Solder Bridges Rather Than Wires
<p><i>Arduino Dev. Board Compatible</i></p>	<ul style="list-style-type: none"> - SpeedyProto Uno Pin Compatible with Arduino Uno Dev. Board - SpeedyProto Mega Pin Compatible with Arduino Mega Dev. Board 	<ul style="list-style-type: none"> - Convenient Arduino Shields Prototype Board - Larger Prototyping Space Enables More Flexible Creation for Both Arduino and non-Arduino Projects
<p><i>User Friendly Interface</i></p>	<ul style="list-style-type: none"> - White Space for Board Name - Mounting Holes - Signal or power Connection Pads at the Edges of the Board 	<ul style="list-style-type: none"> - Easy Labeling - Easy Mounting - Easy Connection

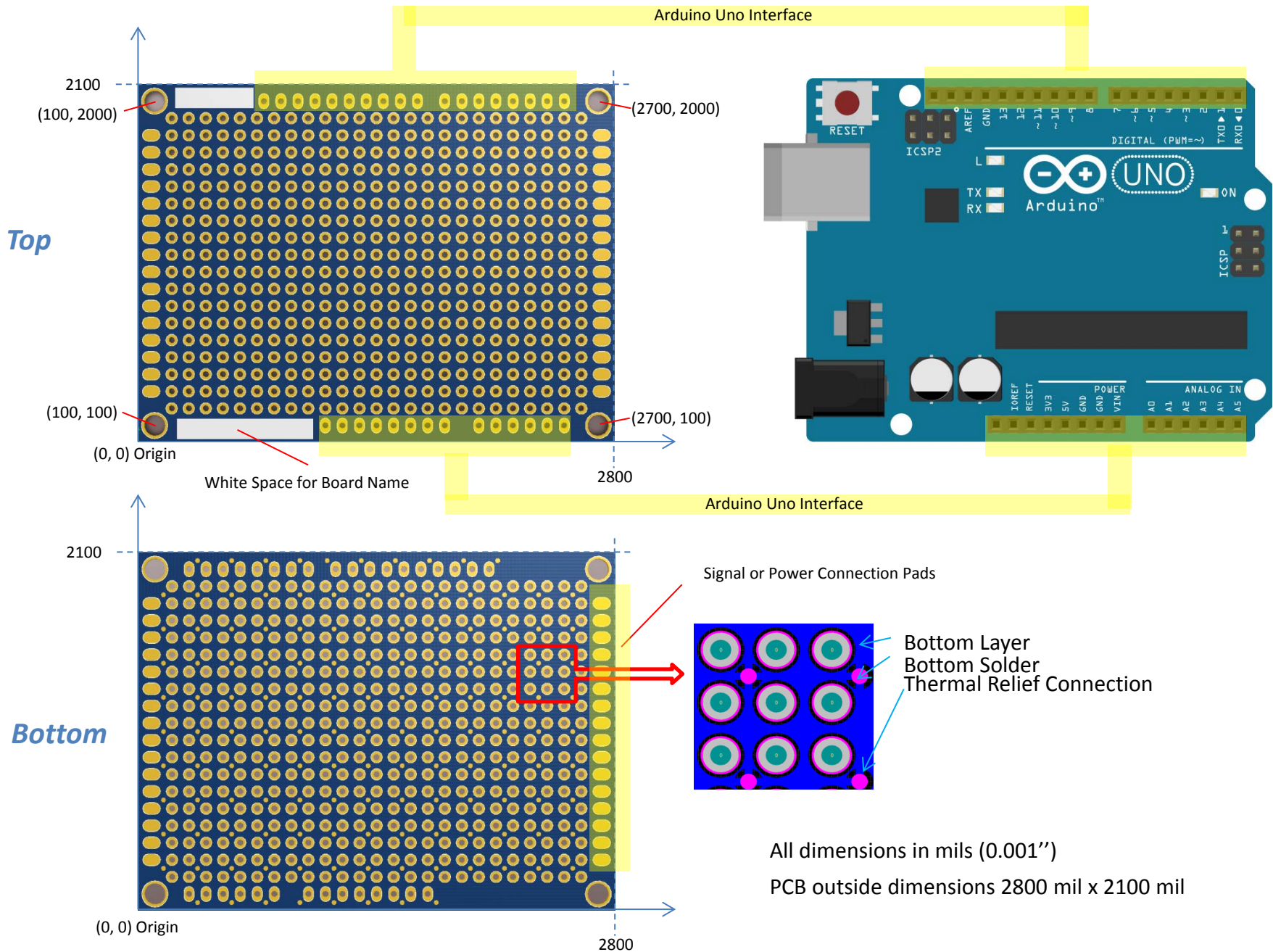
SpeedyProto Tindy



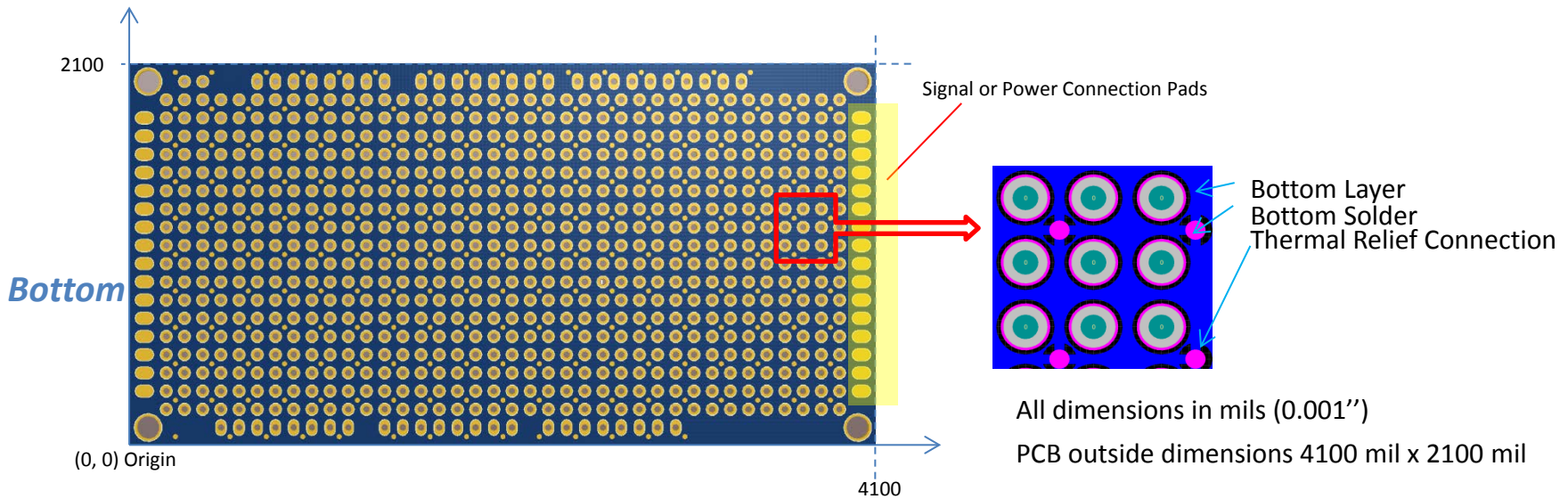
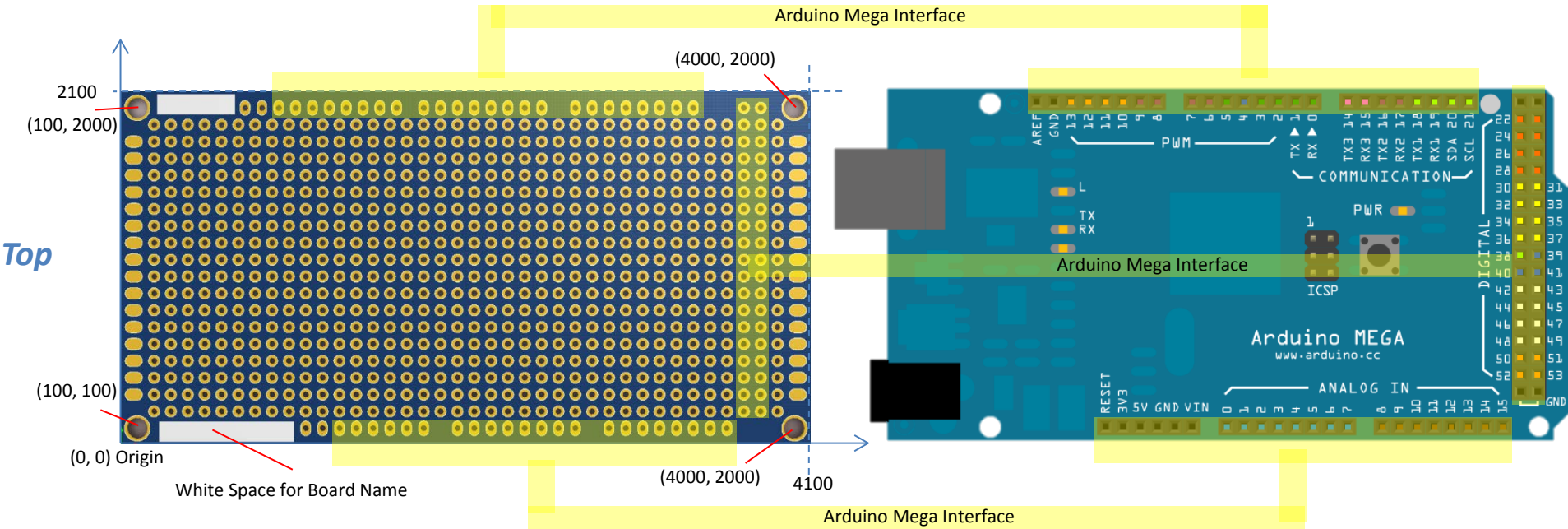
All dimensions in mils (0.001")
PCB outside dimensions 1000 mil x 1000 mil



SpeedyProto Uno



SpeedyProto Mega



SpeedyProto Name Card (Kickstarter Only)

