

BT111: *Bluetooth*[®] Smart Ready HCI Module

DATA SHEET

Monday, 05 August 2013

Version 1.25



Copyright © 2000-2013 Bluegiga Technologies

All rights reserved.

Bluegiga Technologies assumes no responsibility for any errors which may appear in this manual. Furthermore, Bluegiga Technologies reserves the right to alter the hardware, software, and/or specifications detailed here at any time without notice and does not make any commitment to update the information contained here. Bluegiga's products are not authorized for use as critical components in life support devices or systems.

The WRAP is a registered trademark of Bluegiga Technologies

The *Bluetooth* trademark is owned by the *Bluetooth* SIG Inc., USA and is licensed to Bluegiga Technologies. All other trademarks listed herein are owned by their respective owners.

VERSION HISTORY

Version	Comment
1.0	First public release
1.1	Minor changes
1.2	FCC and CE update
1.21	Low energy master and slave mode supported
1.22	IC statement modified
1.23	Contact details updated
1.24	Formatting, reel dimensions
1.25	Recommended PCB land pattern added

TABLE OF CONTENTS

1	BT111 Product numbering	7
2	Block Diagram	8
3	Pinout and Terminal Descriptions	9
4	External Dimensions and Land Pattern	11
5	Layout Guidelines	13
5.1	BT111-A Layout Guide	13
6	Electrical Characteristics	15
6.1	Absolute Maximum Ratings	15
6.2	Input/Output Terminal Characteristics	15
6.2.1	USB Linear Regulator	15
6.2.2	High-voltage Linear Regulator	16
6.2.3	Digital	16
6.3	Current Consumption	17
7	RF Characteristics	20
7.1	Transmitter Characteristics	20
7.2	Receiver Characteristics	21
7.3	Radiated Spurious Emissions	22
7.4	Antenna Characteristics	22
8	Clock Generation	23
9	<i>Bluetooth</i> Stack Microcontroller	24
10	Programmable I/O Ports	24
11	Wi-Fi Coexistence Interface	24
12	Memory Management	25
12.1	Memory Management Unit	25
12.2	System RAM	25
12.3	Internal ROM Memory (5Mb)	25
12.4	Internal EEPROM	25
13	Serial Interfaces	26
13.1	USB Interface	26
13.2	Programming and Debug Interface	26
14	Audio Interfaces	27
14.1	PCM Interface	27
14.1.1	PCM Interface Master/Slave	27
14.1.2	Long Frame Sync	28
14.1.3	Short Frame Sync	28
14.2	Multi-slot Operation	29
14.2.1	GCI Interface	29

14.2.2	Slots and Sample Formats	30
14.2.3	Additional Features	31
14.2.4	PCM Timing Information	31
14.2.5	PCM_CLK and PCM_SYNC Generation	35
14.2.6	PCM Configuration	36
14.3	Digital Audio Interface (I ² S)	36
15	Power Control and Regulation	41
15.1	Voltage Regulator Enable	41
15.2	USB Linear Regulator	41
15.3	High Voltage Linear Regulator	41
15.4	Low Voltage Linear Regulators	42
15.5	Powering Sequence	42
15.6	Reset	42
16	Example Schematic	43
17	Software	44
17.1	On-chip Software	45
17.1.1	<i>Bluetooth</i> HCI Stack	45
17.1.2	Latest Feature of the HCI Stack	45
18	Soldering Recommendations	46
19	Certifications	47
19.1	<i>Bluetooth</i>	47
19.2	FCC/IC (USA/Canada)	47
19.2.1	FCC et IC	48
19.3	CE (Europe)	49
19.4	Japan	50
20	Moisture Sensitivity Level (MSL) classification	51
21	Packaging and Reel Information	52
22	Contact Information	54



BT111: *Bluetooth* Smart Ready HCI Module

DESCRIPTION

BT111 is a low cost and ultra-small *Bluetooth* Smart Ready HCI module that is designed for applications where both *Bluetooth* classic and *Bluetooth* low energy connectivity is needed. BT111 integrates a *Bluetooth* 4.0 dual mode radio, HCI software stack, USB interface and an antenna. BT111 is compatible with Windows and Linux operating systems and Microsoft and BlueZ *Bluetooth* stacks and offers OEMs fast and risk free way to integrate *Bluetooth* 4.0 connectivity into their applications.

APPLICATIONS

- Health and fitness gateways
- Point of sale
- M2M connectivity
- Automotive aftermarket
- Personal navigation devices
- Consumer electronics
- Industrial and home automation gateways

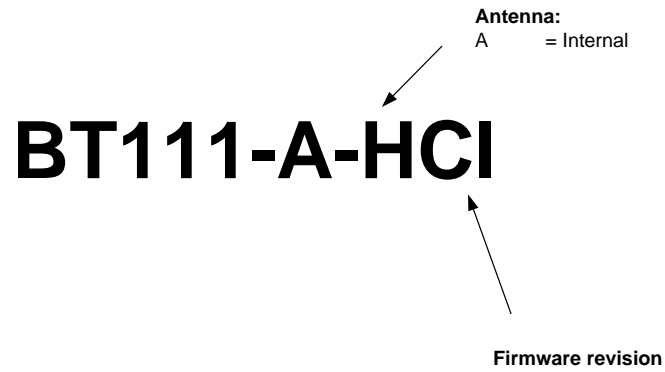
KEY FEATURES

- *Bluetooth* v.4.0, dual mode compliant
 - Support *Bluetooth* classic
 - Supports *Bluetooth* low energy master and slave mode
- Radio capabilities
 - Transmit power: +8dBm
 - Receiver sensitivity: -89dBm
 - Line-of-sight range: 100+ meters
 - Integrated antenna
- Interfaces
 - HCI over USB host interface
 - 802.11 co-existence interface
 - Software programmable GPIO
 - PCM or I2S audio interfaces
- Supply voltage: 1.7V to 3.6V or 3.1V to 3.6V
- Temperature range: -30C to +85C
- Ultra compact size: 13.05mm x 9.30mm
- *Bluetooth*, CE, FCC, IC and Japan

PHYSICAL OUTLOOK



1 BT111 Product numbering



Available products and product codes

Product code	Description
BT111-A-HCI	BT111 <i>Bluetooth</i> 4.0 HCI module with integrated antenna

2 Block Diagram

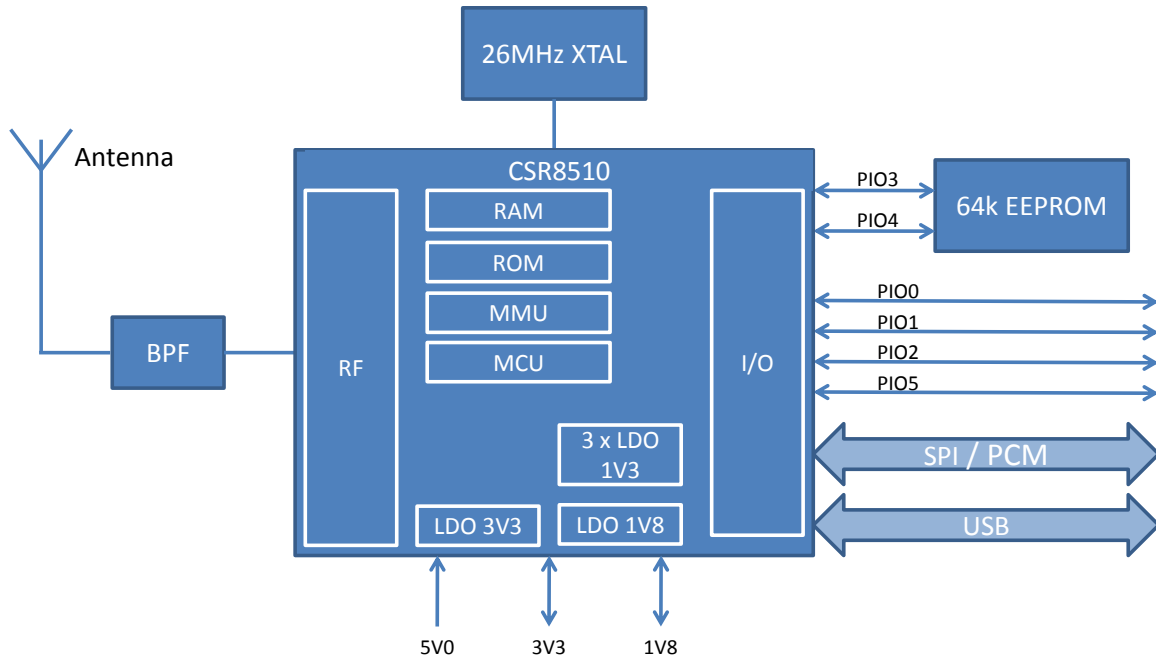


Figure 1: Block diagram of BT111

CSR8510

BT111 is based on CSR8510 dual mode chip. The chip includes all the functions required for a complete *Bluetooth* radio with on chip LDO regulators. The chip provides SPI, PCM and USB interfaces. Up to 4 general purpose I/Os are available for general usage, such as Wi-Fi coexistence or general indicators.

Antenna

Antenna is a ceramic monopole chip antenna. See the antenna characteristics in chapter 7.

Band Pass Filter

The band pass filter filters the out of band emissions from the transmitter to meet the specific regulations for type approvals of various countries.

64k EEPROM

The embedded 64k EEPROM can be used to store customizable parameters, such as maximum TX power, PCM configuration, USB product ID, USB vendor ID and USB product description.

26MHz Crystal

The embedded 26MHz crystal is used for generating the internal digital clocks.

PIO Port	Pin No.	Pad Type	Supply Domain	Description
PIO0	11	Bidirectional, tristate, with weak internal pull-down	VDD_PADS	Programmable input/output line
PIO1	13			
PIO2	6			
PIO5	5			

Table 2: I/O Terminal Descriptions

PCM Interface	Pin No.	Pad Type	Supply Domain	Description
PCM_OUT/ SPI_MISO/ PIO22	12	Output, tristate, with weak internal pull-down	VDD_PADS	PCM synchronous data output SPI data output Programmable input/output line
PCM_IN/ SPI_MOSI/ PIO21	8	Input, tristate, with weak internal pull-down		PCM synchronous data input SPI data input Programmable input/output line
PCM_SYNC/ SPI_CS#/ PIO23	4	Bidirectional, tristate, with weak internal pull-down		PCM synchronous data sync SPI chip select, active low Programmable input/output line
PCM_CLK/ SPI_CLK/ PIO24	7			PCM synchronous data clock SPI clock Programmable input/output line
SPI_PCM#_SEL	14	Input with weak internal pull-down		High switches SPI/PCM lines to SPI, low switches SPI/PCM lines to PCM/PIO use

Table 3: PCM Interface

USB Interface	Pin No.	Pad Type	Supply Domain	Description
USB+	3	Bidirectional	VDD_HOST	USB data plus with selectable internal 1.5k Ω pull-up resistor
USB-	2			USB data minus

Table 4: USB Interface

4 External Dimensions and Land Pattern

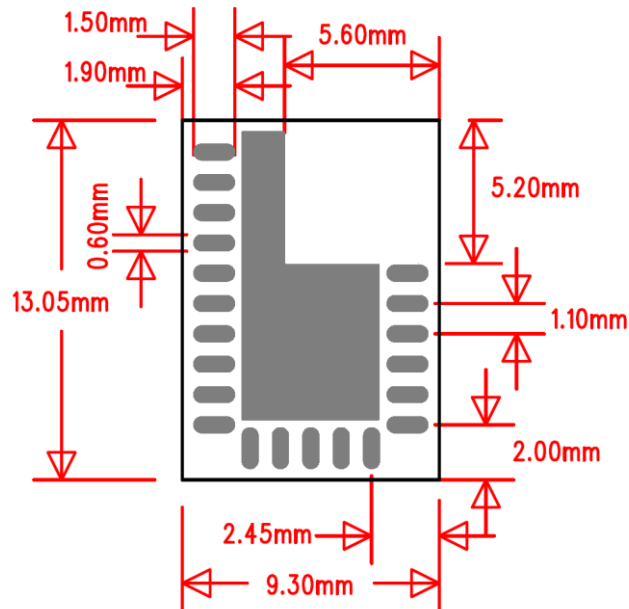


Figure 3: Footprint (top view)

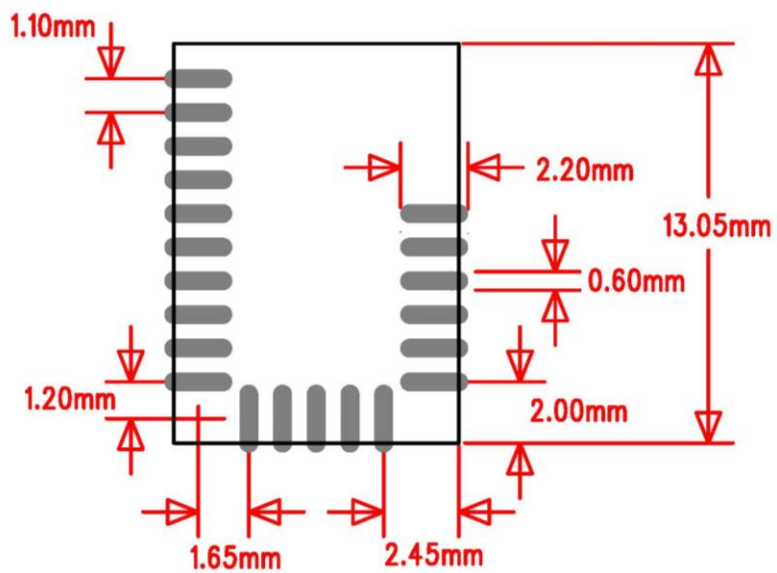


Figure 4: Recommended PCB land pattern

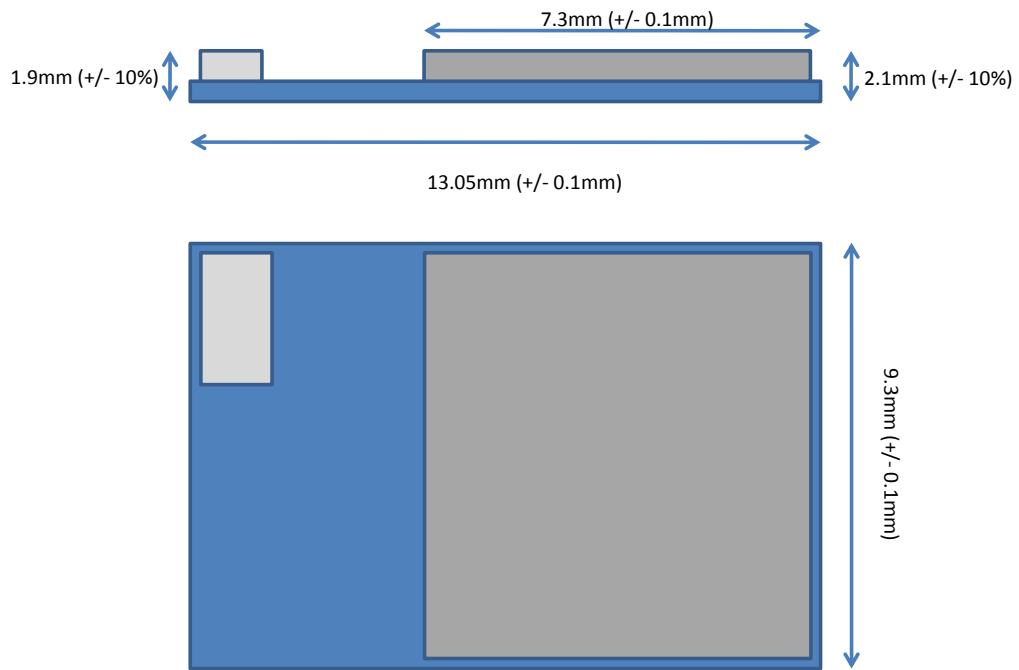


Figure 5: External dimensions

5 Layout Guidelines

Use good layout practices to avoid excessive noise coupling to supply voltage traces or sensitive analog signal traces. If using overlapping ground planes use stitching vias separated by max 3 mm to avoid emission from the edges of the PCB. Connect all the GND pins directly to a solid GND plane and make sure that there is a low impedance path for the return current following the signal and supply traces all the way from start to the end.

A good practice is to dedicate one of the inner layers to a solid GND plane and one of the inner layers to supply voltage planes and traces and route all the signals on top and bottom layers of the PCB. This arrangement will make sure that any return current follows the forward current as close as possible and any loops are minimized.

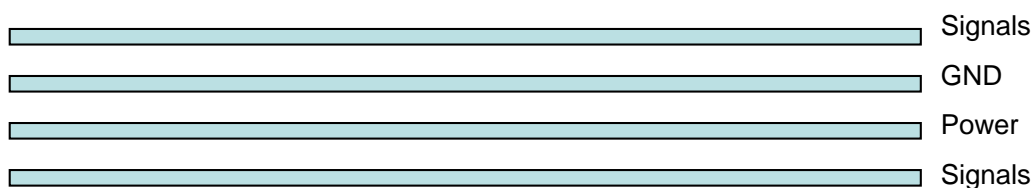


Figure 6: Typical 4-layer PCB construction

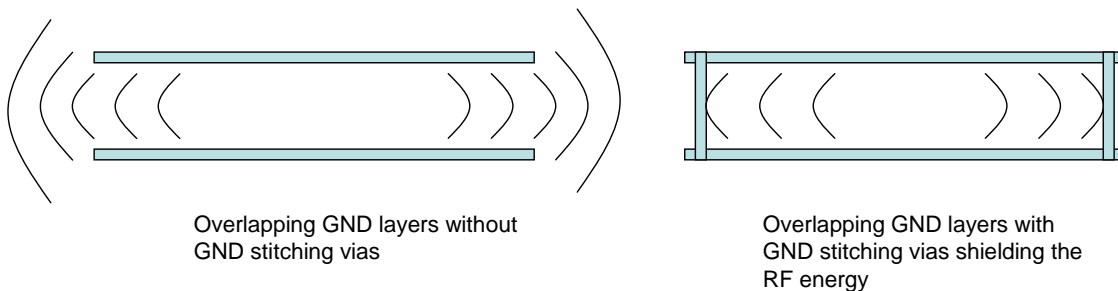


Figure 7: Use of stitching vias to avoid emissions from the edges of the PCB

5.1 BT111-A Layout Guide

For optimal performance of the antenna place the module at the corner of the PCB of the mother board as shown in the Figure 8. Optionally the module can be placed on the long edge of the mother board. In this case the metal clearance area must be extended minimum 10mm from the edge of the module, as shown in Figure 8. The layout of the mother board has an impact on the antenna characteristic and radiation pattern, see the antenna characteristics chapter. Do not place any metal (traces, components, battery etc.) within the clearance area of the antenna. Connect all the GND pins directly to a solid GND plane. Place the GND vias as close to the GND pins as possible. Use good layout practices to avoid any excessive noise coupling to signal lines or supply voltage lines. Avoid placing plastic or any other dielectric material closer than 5 mm from the antenna. Any dielectric closer than 5 mm from the antenna will detune the antenna to lower frequencies.

The antenna is optimized for mother board thickness of 1.0 mm. If the mother board is thicker than this, the resonant frequency will be tuned downwards. If the mother board thickness is thinner than 1.0 mm, the resonant frequency will be tuned upwards. S11 is a measure of how big portion of the transmitted power is reflected back from the antenna. An adequate performance can be expected if S11 is less than - 7 dB. If

using PCB thickness more than 1.6 mm, or if there is dielectric material around the antenna which is likely to detune the resonant frequency, the antenna can be tuned in the mother board layout by removing FR4 below the antenna.

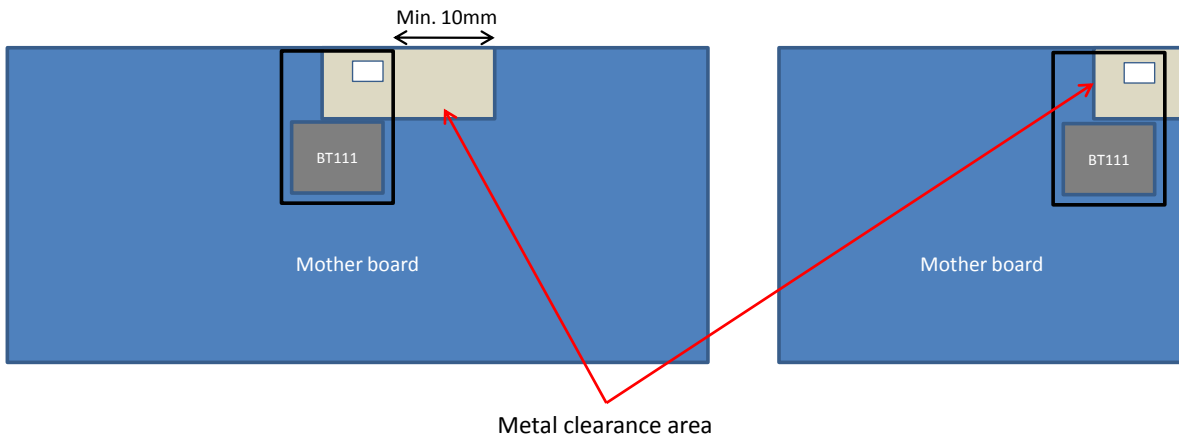


Figure 8: Recommended layouts for BT111-A

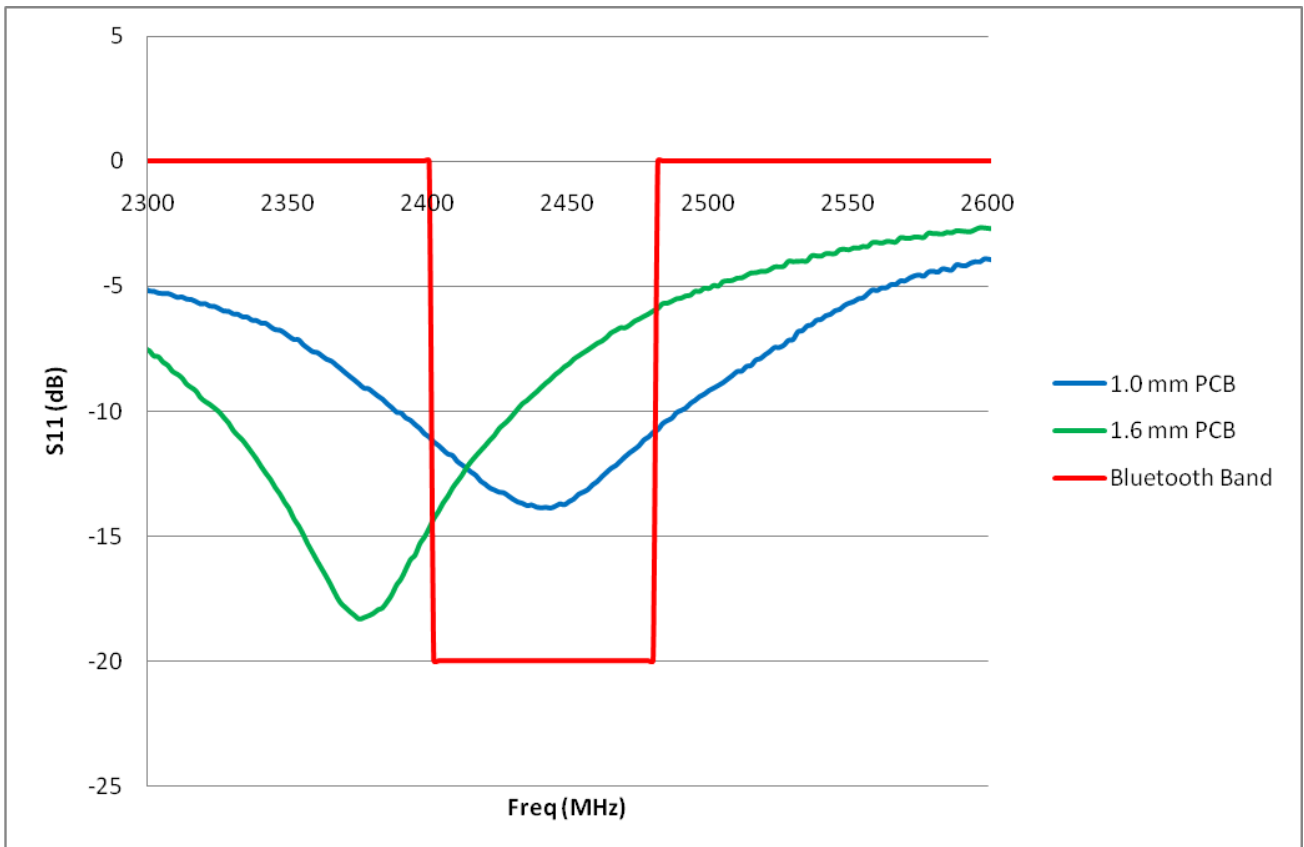


Figure 9: Impedance matching of the antenna of BT111 with two different mother board PCB thickness

6 Electrical Characteristics

6.1 Absolute Maximum Ratings

Rating	Min	Max	Unit
Storage temperature	-40	+85	°C
VREG_IN_USB	-0.2	5.85	V
VREG_IN_HV	-0.2	4.9	V
VDD_HOST	-0.2	3.7	V
VDD_PADS	-0.2	3.7	V
Other terminal voltages	VSS - 0.4V	VDD + 0.4 V	V

Table 5: Absolute maximum ratings

Rating	Min	Max	Unit
Operating temperature	-30	+85	°C
VREG_IN_USB	4.25	5.75	V
VREG_IN_HV	2.3	4.8	V
VDD_HOST	3.1	3.6	V
VDD_PADS ^(*)	1.7 ^(*)	3.6 ^(*)	V

**) NOTE: The internal EEPROM is powered from VDD_PADS. To write the EEPROM, minimum supply voltage is 2.7V and maximum is 3.3V. For reading the EEPROM the minimum supply voltage is 1.7V and the maximum is 3.6V.*

Table 6: Recommended operating conditions

6.2 Input/Output Terminal Characteristics

6.2.1 USB Linear Regulator

Rating	Min	Typ	Max	Unit
Input voltage	4.25	5.0	5.75	V
Output voltage	3.2	3.3	3.4	V
Output current	-	-	150	mA

Table 7: USB linear regulator

6.2.2 High-voltage Linear Regulator

Normal Operation	Min	Typ	Max	Unit
Input voltage	2.3	3.3	4.8	V
Output voltage	1.75	1.85	1.95	V
Temperature coefficient	-200	-	200	ppm/°C
Output noise (frequency range 100Hz to 100kHz)	-	-	0.4	mV rms
Settling time (settling ti within 10% of final value)	-	-	5	μs
Output current	-	-	100	mA
Quiescent current (excluding load, $I_{load} < 1mA$)	30	40	60	μA
Low-power Mode				
Quiescent current (excluding load, $I_{load} < 100\mu A$)	14	18	23	μA

Table 8: High-voltage Linear Regulator

6.2.3 Digital

Normal Operation	Min	Typ	Max	Unit
Input Voltage				
V_{IL} input logic level low	-0.4	-	0.4	V
V_{IH} input logic level high	$0.7 \times VDD$	-	$VDD + 0.4$	V
Output Voltage				
V_{OL} output logic level low, $I_{OL} = 4.0mA$	-	-	0.4	V
V_{OH} output logic level high, $I_{OL} = 4.0mA$	$0.75 \times VDD$	-	-	V
Input and Tristate Currents				
Strong pull-up	-150	-40	-10	μA
Strong pull-down	10	40	150	μA
Weak pull-up	-5	-1.0	-0.33	μA
Weak pull-down	0.33	1.0	5.0	μA
C_I input capacitance	1.0	-	5.0	pF

Table 9: Digital I/O characteristics

6.3 Current Consumption

Normal Operation	Peak (8 dBm)	AVG	Unit
Idle		5	mA
USB Suspend		200	μA
Inquiry	73	51	mA
File Transfer	73	58	mA
LE Connected (Master)	74	(*)	mA
LE Scan (Master)	48	(*)	mA

*) LE AVG current consumption depends on the chosen TX interval and scanning window

Table 10: Current consumption of BT111 with 8 dBm TX power

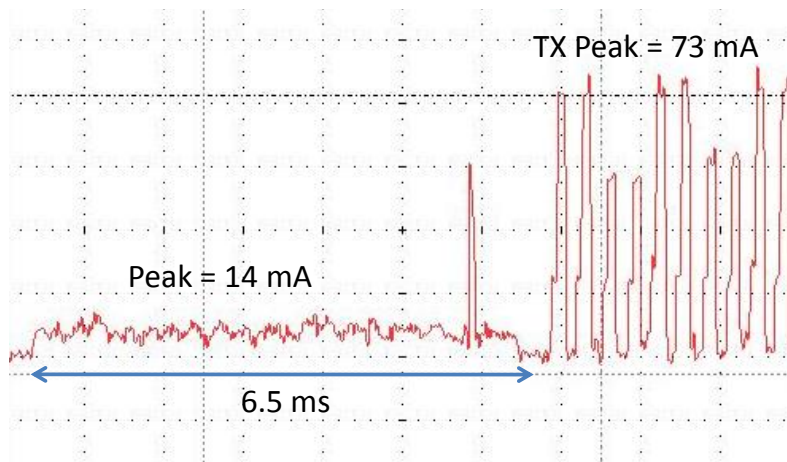


Figure 10: Current consumption profile while creating a SPP connection

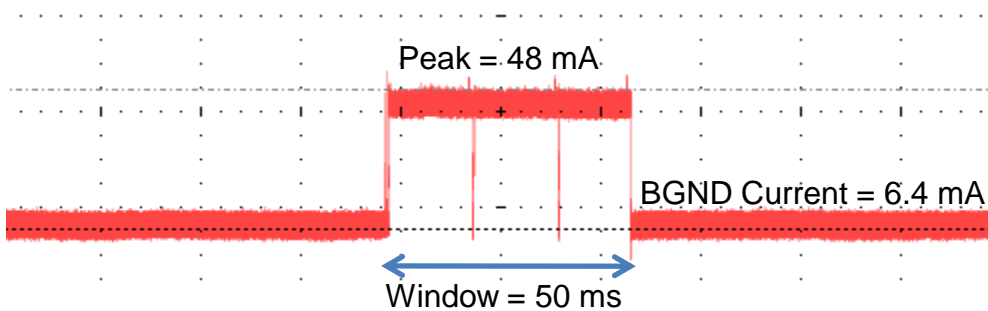


Figure 11: LE scanning with 50 ms window

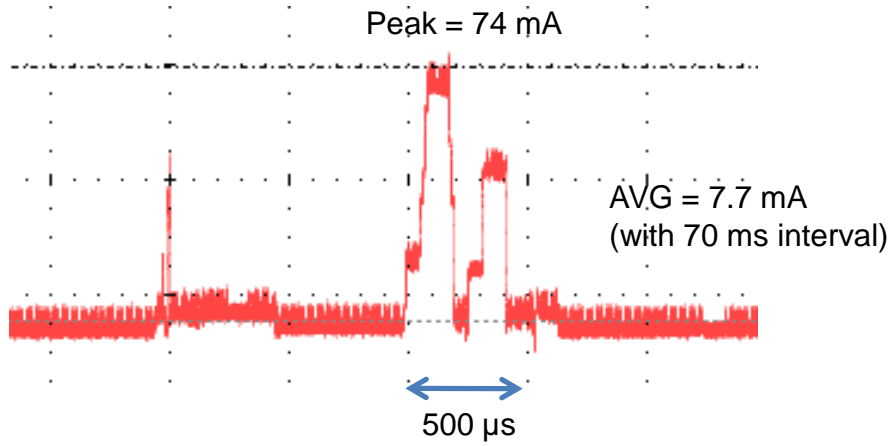


Figure 12: LE connected with 70 ms interval

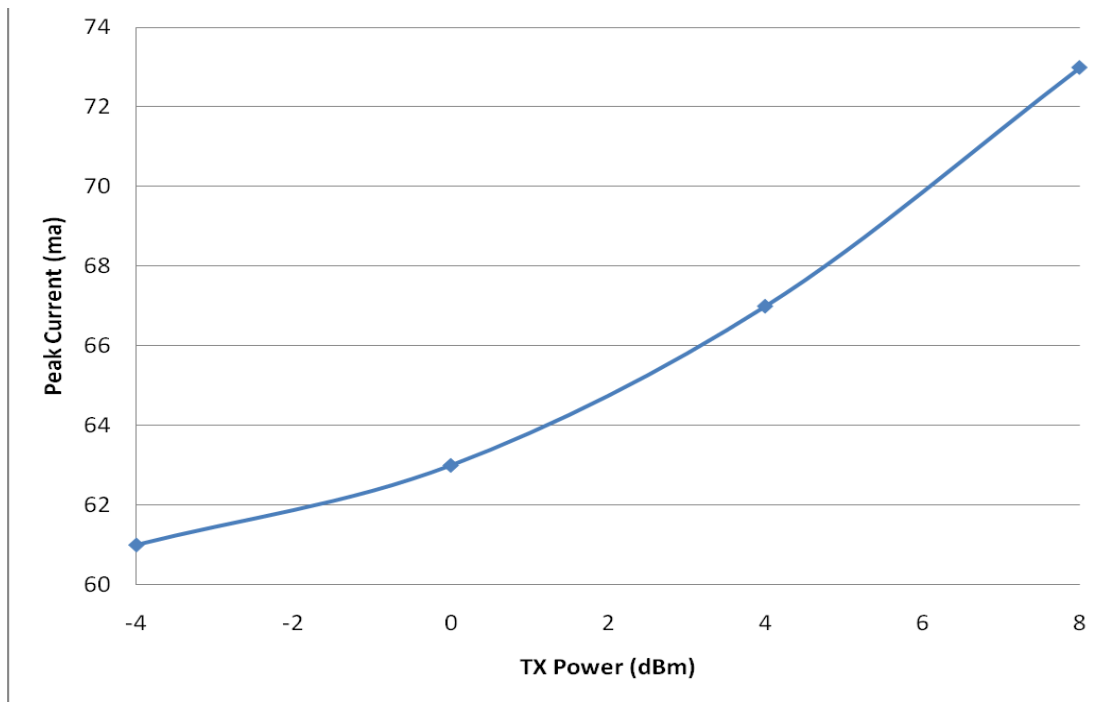


Figure 13: BDR Peak current vs TX power

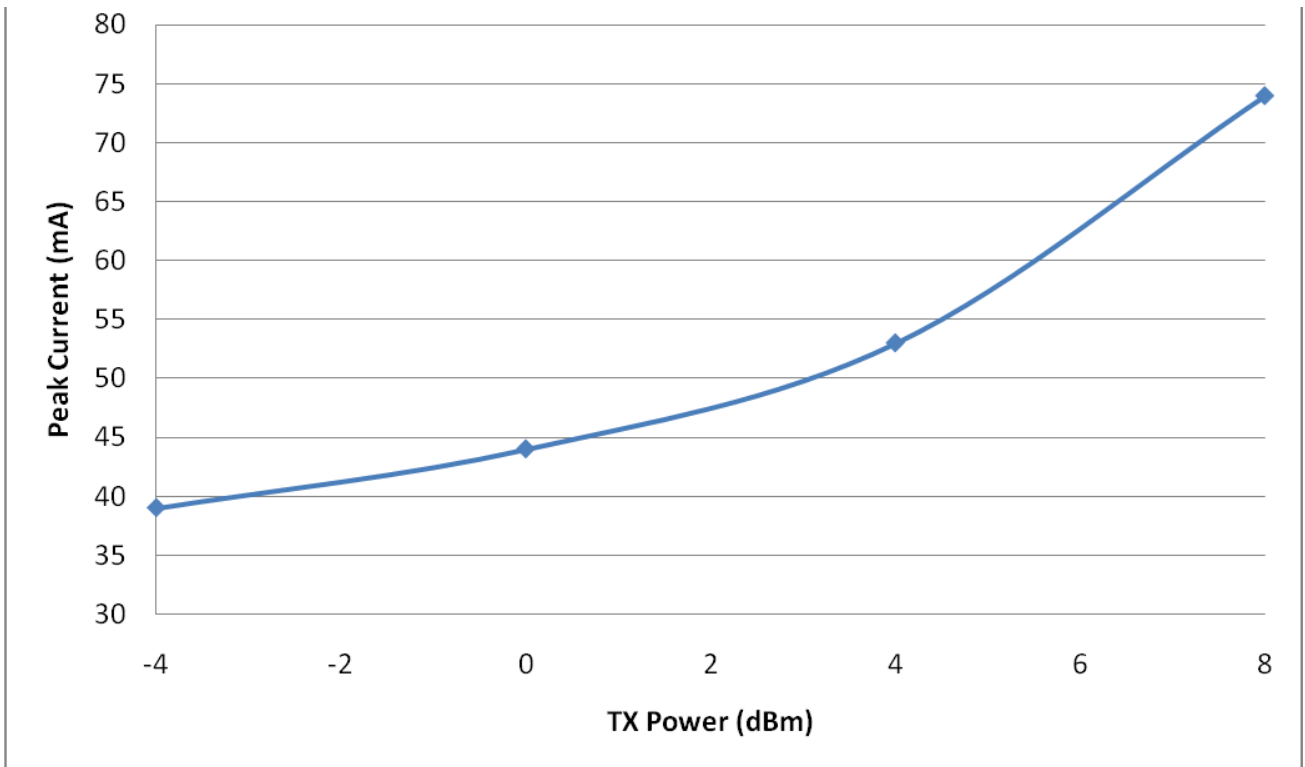


Figure 14: LE peak current vs. TX power

7 RF Characteristics

7.1 Transmitter Characteristics

RF Characetristics, VDD = 3.3V @ room temperature unless otherwise specified		Min	Typ	Max	Bluetooth Specification	Unit
maximum RF Transmit Power			8	10	20	dBm
RF power variation over temperature range			1.5		-	dB
RF power variation over supply voltage range				0.2	-	dB
RF power variation over BT band (*)			2		-	dB
RF power control range		-21		8	-	dBm
20dB band width for modulated carrier					1000	kHz
ACP (1)	F = F ₀ ± 2MHz				-20	
	F = F ₀ ± 3MHz				-40	
	F = F ₀ > 3MHz				-40	
Drift rate			10		+/-25	kHz
ΔF_{1avg}			165		140<175	kHz
ΔF_{1max}			168		140<175	kHz
$\Delta F_{2avg} / \Delta F_{1avg}$			0.9		>=0.8	

*) Channel 0 @2402Mhz has generally 1.0 dB lower TX power than all the other channels. All the channels between 2403 MHz and 2480 MHz are within 0.5 dB.

Table 11: Transmitter Characteristics, BDR

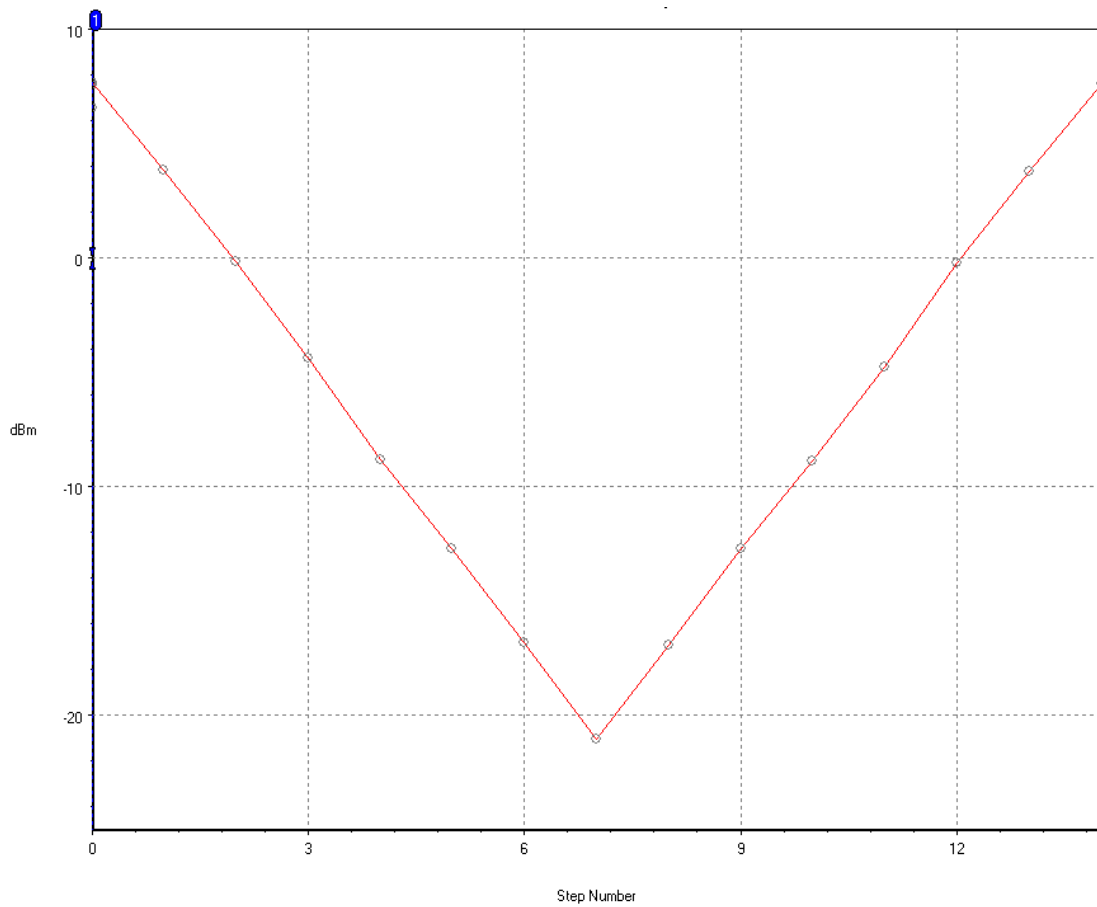


Figure 15: Power control steps of BT111

7.2 Receiver Characteristics

RF characteristis, VDD = 3.3V, room temperature	Packet type	Min	Typ	Max	Bluetooth Specification	Unit
Sensitivity for 0.1% BER	DH1		-89		-70	dBm
	DH3		-89			dBm
	DH5		-89			dBm
	2-DH5		-92			dBm
	3-DH5		-85			dBm
Sensitivity variation over BT band (*)	All		2			dB
Sensitivity variation over temperature range	All		TBD			dB

*) Channel 0 @2402Mhz is generally 1.5dB less sensitive than all the other channels. All the channels between 2403 MHz and 2480 MHz are within 0.5 dB.

Table 12: BDR and EDR receiver sensitivity

7.3 Radiated Spurious Emissions

Standard	Band / Frequency	Min (AVG / PEAK)	Typ (AVG / PEAK)	Max (AVG / PEAK)	Limit by the Standard (AVG / PEAK)	Unit
FCC part 15 transmitter spurious emissions	2nd harmonic		51 / 58		54 / 74	dBuV/m
	3rd harmonic		< 50		54 / 74	dBuV/m
	Band edge 2483.5MHz		48 / -		54 / 74	dBuV/m
	Band edge 2400MHz		-50		-20	dBc
	Band edge 2483.5MHz		-35		-20	dBc
ETSI EN 300 328 transmitter spurious emissions	Band edge 2400MHz		-42		-30	dBm
	2nd harmonic		-36		-30	dBm
	3rd harmonic		<-40		-30	dBm
ETSI EN 300 328 receiver spurious emissions	(2400 - 2479) MHz		<-70		-47	dBm
	(1600 - 1653) MHz		<-70		-47	dBm

Table 13: Radiated Spurious Emissions

7.4 Antenna Characteristics

The antenna is a standard monopole chip antenna. The radiation pattern is strongly dependent on the layout of the mother board. Usually the gain is highest to the directions where there is most GND and weakest to the opposite direction. Typically the total radiated efficiency is around 25% - 35%. The maximum gain is 0.5 dBi.

8 Clock Generation

BT111 is using an internal 26 MHz crystal oscillator. All internal digital clocks are generated using a phase locked loop, which is locked to the 26 MHz crystal oscillator. 26 MHz clock is calibrated in production and the calibrated settings are stored to the internal EEPROM of BT111. The 32.768 kHz sleep clock is generated internally to the module. BT111 does not need any external clock sources.

9 *Bluetooth* Stack Microcontroller

BT111 uses a 16-bit RISC MCU for low power consumption and efficient use of memory.

The MCU, interrupt controller and event timer run the *Bluetooth* software stack and control the *Bluetooth* radio and host interfaces.

10 Programmable I/O Ports

See the Device Terminal Functions section for the list of supplies to the PIOs.

PIO lines are configured through software to have either weak or strong pull-ups or pull-downs. All PIO lines are configured as inputs with weak pull-downs at reset and have additional individual bus keeper configuration. The default configuration for all the IO pins is input with weak pull-up.

11 Wi-Fi Coexistence Interface

Dedicated hardware is provided to implement a variety of Wi-Fi coexistence schemes. There is support for:

- Channel skipping AFH
- Priority signaling
- Channel signaling
- Host passing of channel instructions

The BT111 supports the Wi-Fi coexistence schemes:

- Unity-3
- Unity-3e
- Unity+

Contact support (support@bluegiga.com) for more information

12 Memory Management

12.1 Memory Management Unit

The MMU provides a number of dynamically allocated ring buffers that hold the data that is in transit between the host and the air. The dynamic allocation of memory ensures efficient use of the available RAM and is performed by a hardware MMU to minimize the overheads on the processor during data/voice transfers.

12.2 System RAM

56KB of integrated RAM supports the RISC MCU and is shared between the ring buffers for holding voice/data for each active connection and the general-purpose memory required by the *Bluetooth* stack.

12.3 Internal ROM Memory (5Mb)

5Mb of internal ROM memory is available on BT111. This memory is provided for system firmware, storing BT111 settings and program code.

12.4 Internal EEPROM

64kb internal EEPROM is available on BT111 to store device specific configuration information (PS Keys) such as *Bluetooth* address, USB descriptors, PCM configuration and maximum TX power. The internal EEPROM is powered from VDD_PADS. The minimum supply voltage writing the EEPROM is 2.7V and the minimum supply voltage for reading the EEPROM is 1.7V.

13 Serial Interfaces

13.1 USB Interface

BT111 has a full-speed (12Mbps) USB interface for communicating with other compatible digital devices. The USB interface on BT111 acts as a USB peripheral, responding to requests from a master host controller.

BT111 supports the Universal Serial Bus Specification, Revision v2.0 (USB v2.0 Specification) and USB Battery Charging Specification, available from <http://www.usb.org>. For more information on how to integrate the USB interface on BT111 see the *WT USB Design Guide* available in Bluegiga Techforum.

As well as describing USB basics and architecture, the application note describes:

- Power distribution for high and low bus-powered configurations
- Power distribution for self-powered configuration, which includes USB VBUS monitoring
- USB enumeration
- Electrical design guidelines for the power supply and data lines, as well as PCB tracks and the effects of ferrite beads
- USB suspend modes and *Bluetooth* low-power modes:
- Global suspend
- Selective suspend, includes remote wake
- Wake on *Bluetooth*, includes permitted devices and set-up prior to selective suspend
- Suspend mode current draw
- PIO status in suspend mode
- Resume, detach and wake PIOs
- Battery charging from USB, which describes dead battery provision, charge currents, charging in suspend

Modes and USB VBUS voltage consideration

- USB termination when interface is not in use
- Internal modules, certification and non-specification compliant operation

See chapter 17 for the default USB vendor and product ID settings.

13.2 Programming and Debug Interface

This SPI programming and debug interface can configure the PS Keys stored in the internal EEPROM and can also debug BT111. Bluegiga provides the development and production tools to communicate over this interface from a PC.

BT111 uses a 16-bit data and 16-bit address programming and debug interface. Transactions occur when the internal processor is running or is stopped. Data is written or read one word at a time, or the auto-increment feature is available for the block access.

Configuring the parameters of the BT111 and running test scripts is also possible via the USB interface with certain limitations; please see Section 14 for more information.

14 Audio Interfaces

BT111 has digital audio interface that is configurable as either a PCM or I²S port.

14.1 PCM Interface

The audio PCM interface on the BT111 supports:

- Continuous transmission and reception of PCM encoded audio data over *Bluetooth*.
- Processor overhead reduction through hardware support for continual transmission and reception of PCM data.
- A bidirectional digital audio interface that routes directly into the baseband layer of the firmware. It does not pass through the HCI protocol layer.
- Hardware on BT111 for sending data to and from a SCO connection.
- Up to 3 SCO connections on the PCM interface at any one time.
- PCM interface master, generating PCM_SYNC and PCM_CLK.
- PCM interface slave, accepting externally generated PCM_SYNC and PCM_CLK.
- Various clock formats including:
 - Long Frame Sync
 - Short Frame Sync
 - GCI timing environments
- 13-bit or 16-bit linear, 8-bit μ -law or A-law companded sample formats.
- Receives and transmits on any selection of 3 of the first 4 slots following PCM_SYNC.

The PCM configuration options are enabled by setting PSKEY_PCM_CONFIG32.

14.1.1 PCM Interface Master/Slave

When configured as the master of the PCM interface, BT111 generates PCM_CLK and PCM_SYNC.

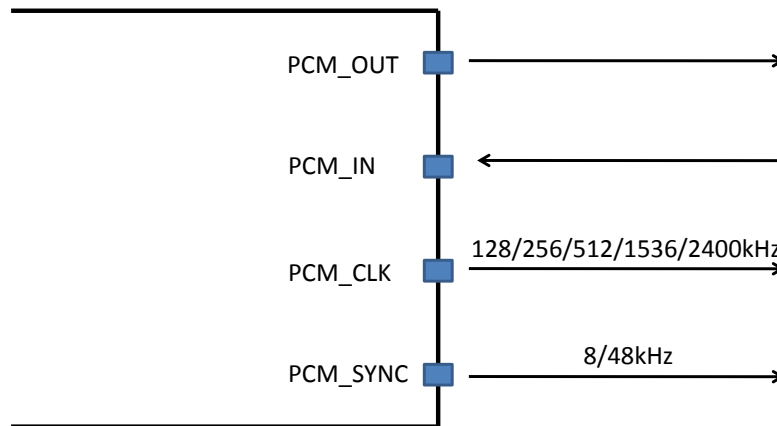


Figure 16: BT111 as PCM master

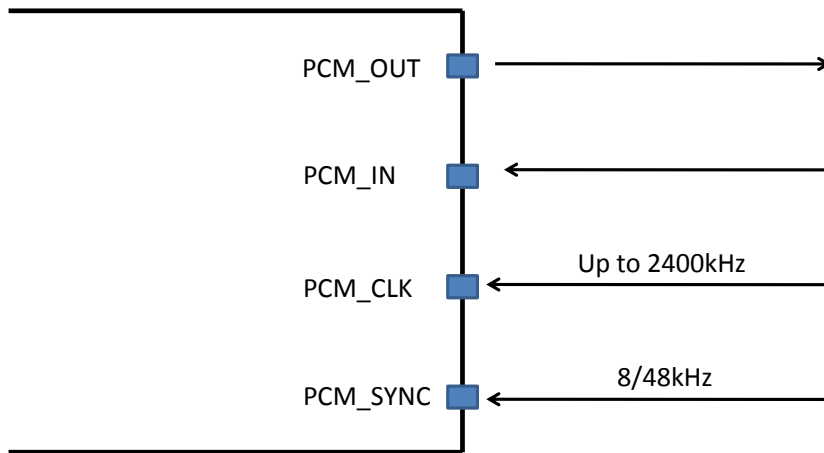


Figure 17: BT111 as PCM slave

14.1.2 Long Frame Sync

Long Frame Sync is the name given to a clocking format that controls the transfer of PCM data words or samples. In Long Frame Sync, the rising edge of PCM_SYNC indicates the start of the PCM word. When BT111 is configured as PCM master, generating PCM_SYNC and PCM_CLK, then PCM_SYNC is 8 bits long. When BT111 is configured as PCM Slave, PCM_SYNC is from 1 cycle PCM_CLK to half the PCM_SYNC rate.

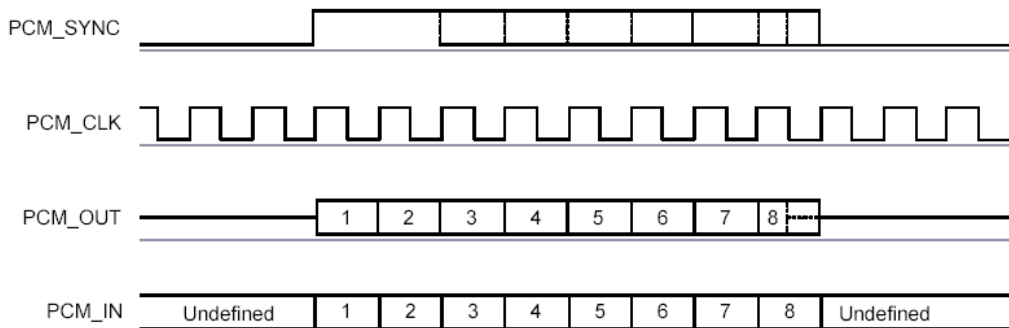


Figure 18: Long Frame Sync (Shown with 8-bit Companded Sample)

BT111 samples PCM_IN on the falling edge of PCM_CLK and transmits PCM_OUT on the rising edge. PCM_OUT is configurable as high impedance on the falling edge of PCM_CLK in the LSB position or on the rising edge.

14.1.3 Short Frame Sync

In Short Frame Sync, the falling edge of PCM_SYNC indicates the start of the PCM word. PCM_SYNC is always 1 clock cycle long.

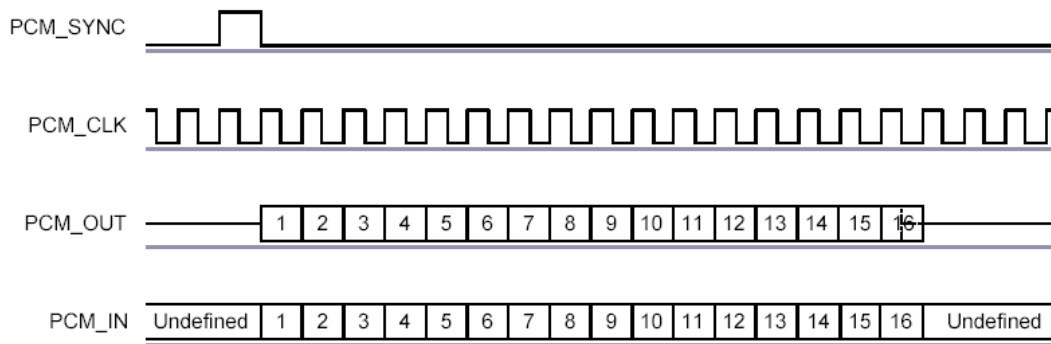


Figure 19: Short Frame Sync (shown with 16-bit sample)

As with Long Frame Sync, BT111 samples PCM_IN on the falling edge of PCM_CLK and transmits PCM_OUT on the rising edge. PCM_OUT is configurable as high impedance on the falling edge of PCM_CLK in the LSB position or on the rising edge.

14.2 Multi-slot Operation

More than 1 SCO connection over the PCM interface is supported using multiple slots. Up to 3 SCO connections are carried over any of the first 4 slots.

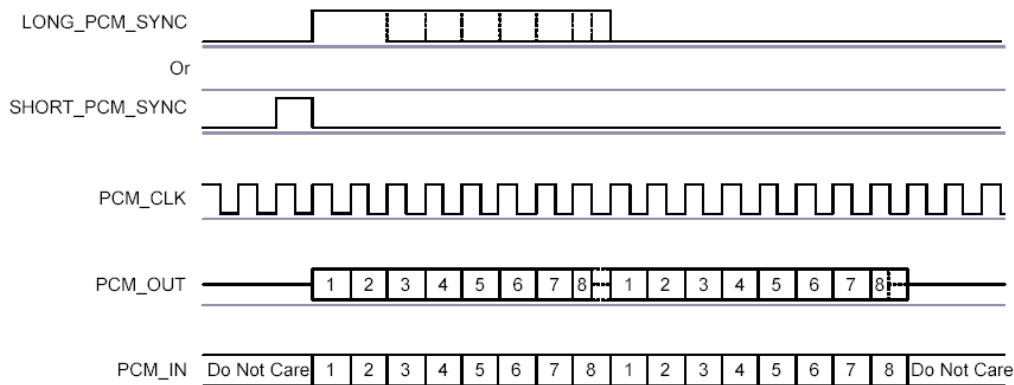


Figure 20: Multi-slot Operation with 2 Slots and 8-bit Companded Samples

14.2.1 GCI Interface

BT111 is compatible with the GCI, a standard synchronous 2B+D ISDN timing interface. The 2 64kbps B channels are accessed when this mode is configured.

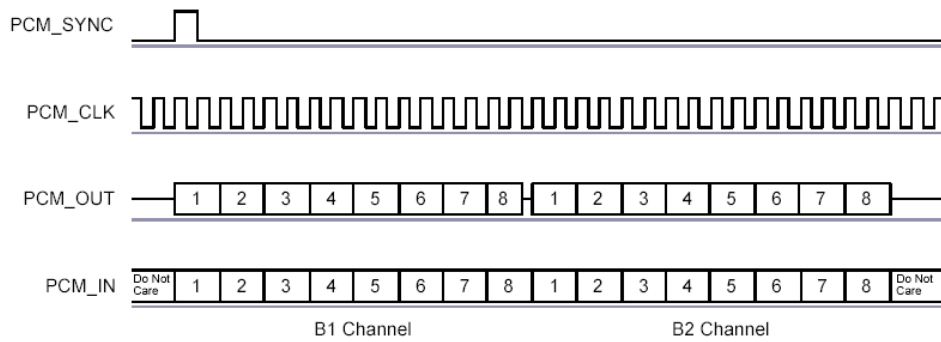


Figure 21: GCI Interface

The start of frame is indicated by the rising edge of PCM_SYNC and runs at 8kHz.

14.2.2 Slots and Sample Formats

BT111 receives and transmits on any selection of the first 4 slots following each sync pulse. Slot durations are either 8 or 16 clock cycles:

- 8 clock cycles for 8-bit sample formats.
- 16 clock cycles for 8-bit, 13-bit or 16-bit sample formats.

BT111 supports:

- 13-bit linear, 16-bit linear and 8-bit μ -law or A-law sample formats.
- A sample rate of 8ksps.
- Little or big endian bit order.
- For 16-bit slots, the 3 or 8 unused bits in each slot are filled with sign extension, padded with zeros or a programmable 3-bit audio attenuation compatible with some codecs.

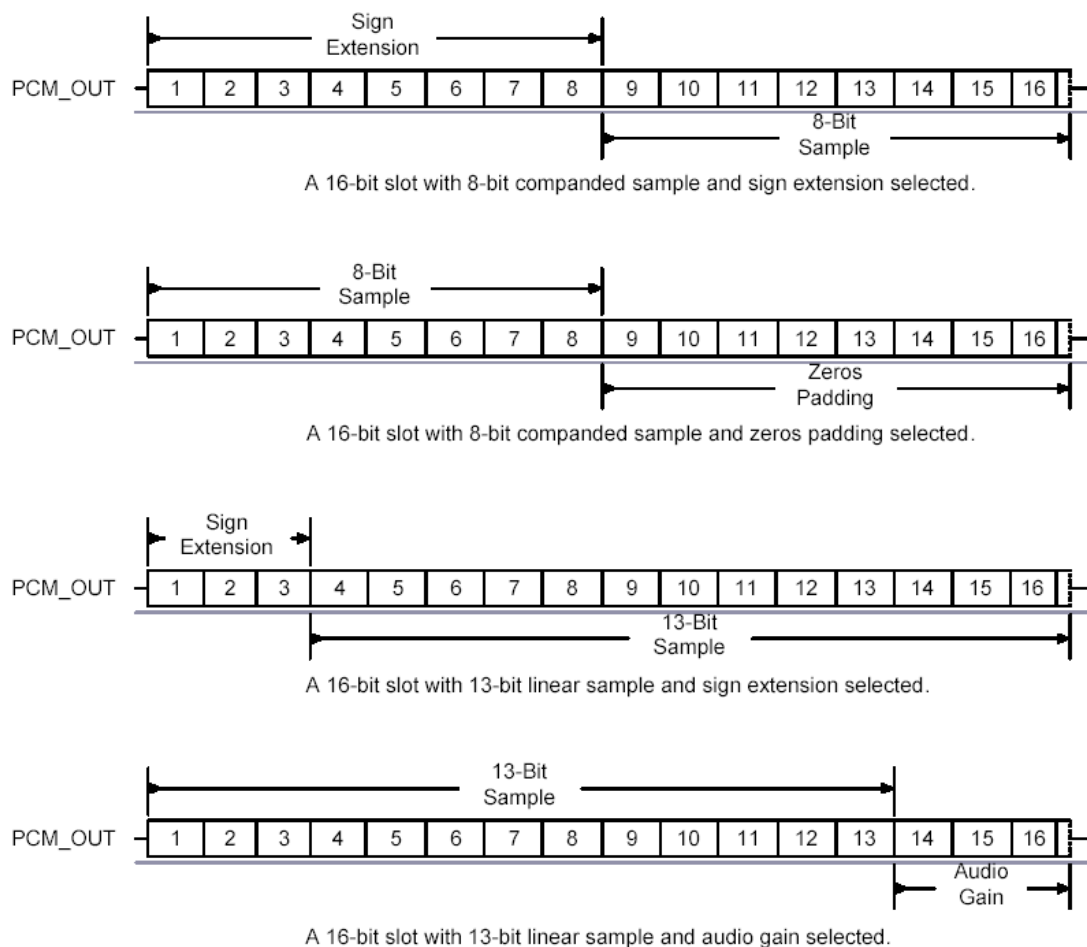


Figure 22: 16-bit Slot Length and Sample Formats

14.2.3 Additional Features

BT111 has a mute facility that forces PCM_OUT to be 0. In master mode, BT111 is compatible with some codecs which control power down by forcing PCM_SYNC to 0 while keeping PCM_CLK running.

14.2.4 PCM Timing Information

Symbol	Parameter		Min	Typ	Max	Unit
f_{mclk}	PCM_CLK Frequency	4MHz DDS generation. Ffrequency selection is programmable.	-	128	-	kHz
				256		
		48MHz DDS generation. Frequency selection is programmable.	2.9	-	-	

-	PCM_SYNC frequency for SCO connection	-	8	-	kHz
$f_{mclkh}^{(a)}$	PCM_CLK high	4MHz DDS generation	980	-	ns
$f_{mckl}^{(a)}$	PCM_CLK low	4MHz DDS generation	730	-	ns
-	PCM_CLK jitter	48MHz DDS generation	-	-	21 ns pk-pk

Table 14: PCM Master Timing

(a) Assumes normal system clock operation. Figures vary during low-power modes, when system speeds are reduced.

Symbol	Parameter		Min	Typ	Max	Unit
$t_{dmclksynch}$	Delay time from PCM_CLK high to PCM sync high	4MHz DDS generation. Ffrequency selection is programmable.	-	-	20	ns
		48MHz DDS generation	-	-	40.83	
$t_{dmclkpout}$	Delay time from PCM_CLK high to PCM_OUT		-	-	20	
$t_{dmclksyncl}$	Delay time from PCM_CLK low to PCM sync low (long frame sync only)	4MHz DDS generation	-	-	20	
		48MHz DDS generation	-	-	40.83	
$t_{dmclkpoutz}$	Delay time from PCM_CLK low to PCM_OUT high impedance		-	-	20	
$t_{dmclkhoutz}$	Delay time from PCM_CLK high to PCM_OUT high impedance		-	-	20	
$t_{supinckl}$	Set-up time for PCM_IN valid to PCM_CLK low		20	-	-	
$t_{hpinckl}$	Hold time for PCM_CLK low to PCM_IN invalid		0	-	-	

Table 15: PCM Master Mode Timing Parameters

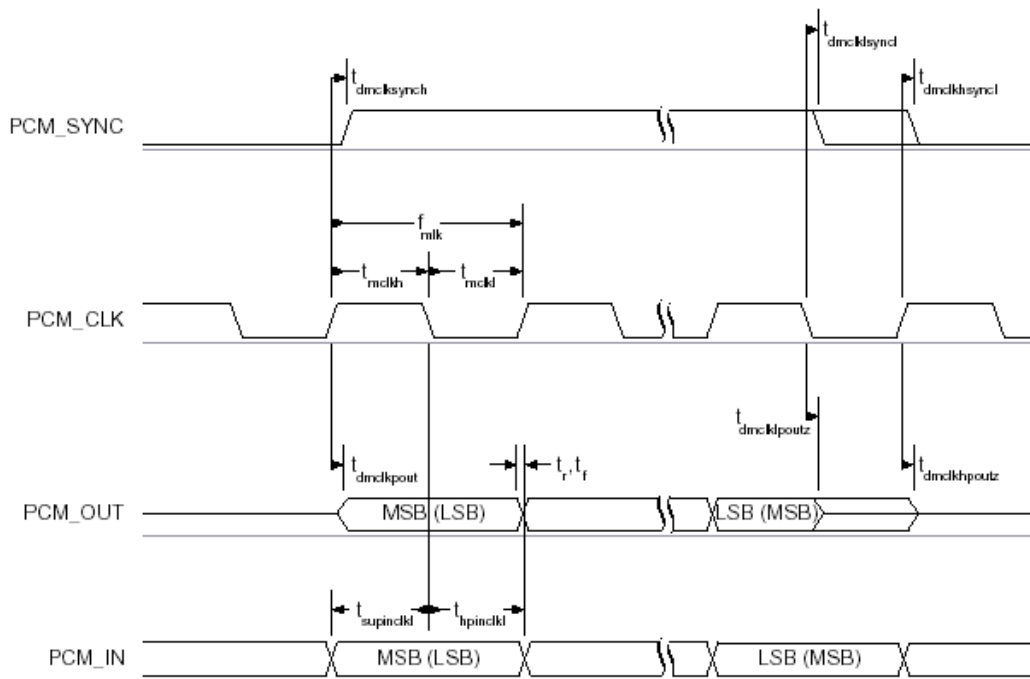


Figure 23: PCM Master Timing Long Frame Sync

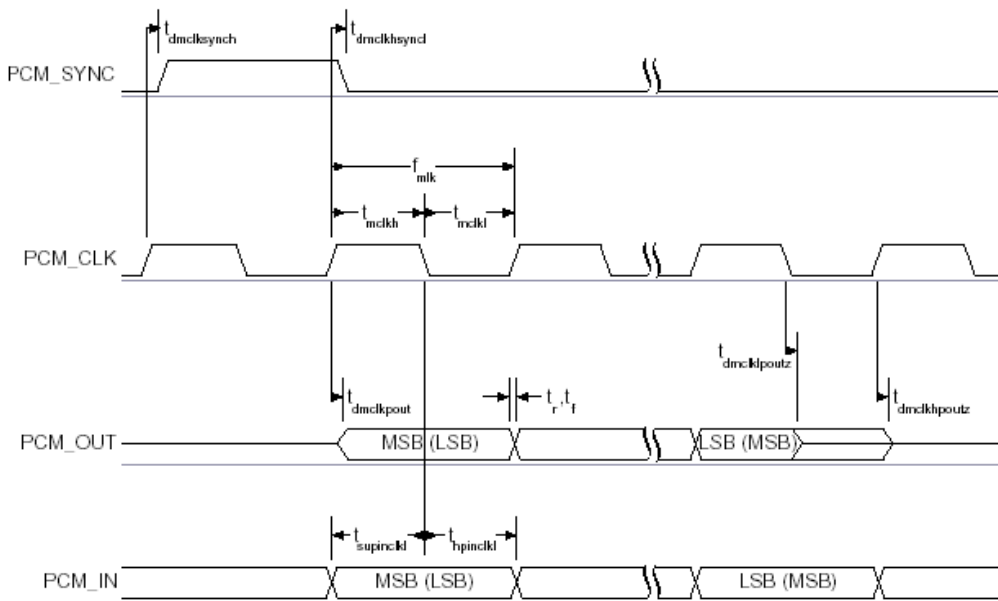


Figure 24: PCM Master Timing Short Frame Sync

Symbol	Parameter	Min	Typ	Max	Unit
f_{sclk}	PCM clock frequency (Slave mode: Input)	64	-	2048	kHz
f_{sclk}	PCM clock frequency (GCI mode)	128	-	4096	kHz
f_{sckl}	PCM_CLK low time	200	-	-	ns
f_{sckh}	PCM_CLK high time	200	-	-	ns

Table 16: PCM Slave Timing

Symbol	Parameter	Min	Typ	Max	Unit
$f_{hsclksynch}$	Hold time from PCM_CLK low to PCM_SYNC high	2	-	-	ns
$f_{susclksynch}$	Set-up time for PCM_SYNC high to PCM_CLK low	20	-	-	
f_{dpout}	Delay time from PCM_SYNC or PCM_CLK, whichever is later, to valid PCM_OUT data (long frame sync only)	-	-	15	
$f_{dsclkhout}$	Delay time from PCM_SYNC or PCM_CLK, whichever is later, to valid PCM_OUT data	-	-	15	
f_{dpoutz}	Delay time from PCM_SYNC or PCM_CLK low, whichever is later, to PCM_OUT data line high impedance	-	-	20	
$f_{supinsckl}$	Set-up time for PCM_IN valid to PCM_CLK low	20	-	-	
$f_{hpinsckl}$	Hold time from PCM_CLK low to PCM_IN valid	2	-	-	

Table 17: PCM Slave Mode Timing Parameters

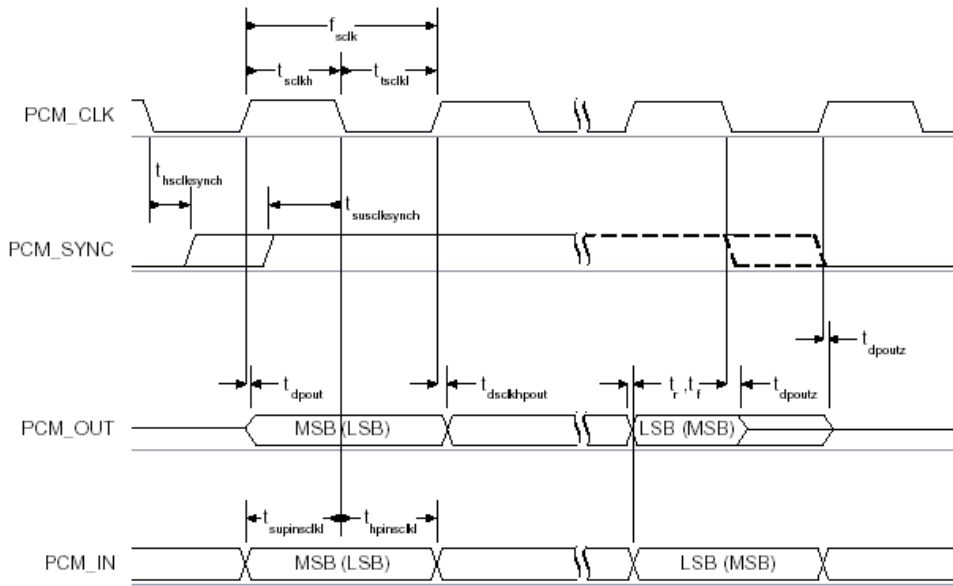


Figure 25: PCM Slave Timing Long Frame Sync

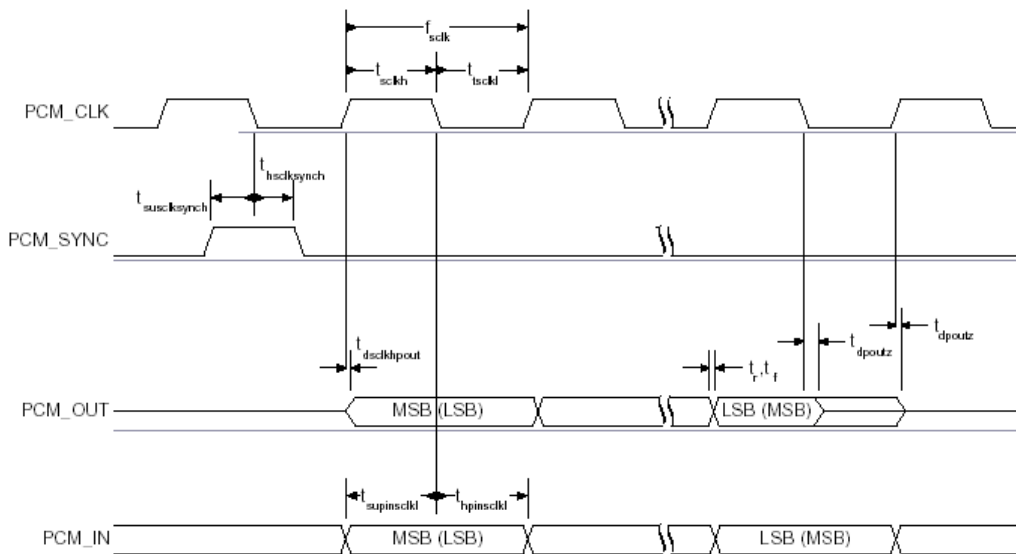


Figure 26: PCM Slave Timing Short Frame Sync

14.2.5 PCM_CLK and PCM_SYNC Generation

BT111 has 2 methods of generating PCM_CLK and PCM_SYNC in master mode:

- Generating these signals by DDS from BT111 internal 4MHz clock. Using this mode limits PCM_CLK to 128, 256 or 512kHz and PCM_SYNC to 8kHz.
- Generating these signals by DDS from an internal 48MHz clock, enables a greater range of frequencies to be generated with low jitter but consumes more power. To select this second method set bit 48M_PCM_CLK_GEN_EN in PSKEY_PCM_CONFIG32. When in this mode and with long

frame sync, the length of PCM_SYNC is either 8 or 16 cycles of PCM_CLK, determined by LONG_LENGTH_SYNC_EN in PSKEY_PCM_CONFIG32.

Following equation describes PCM_CLK frequency when generated from the internal 48MHz clock:

$$f = \frac{\text{CNT_RATE}}{\text{CNT_LIMIT}} \times 24\text{MHz}$$

Equation 1: PCM_CLK Frequency Generated Using the Internal 48MHz Clock

Set the frequency of PCM_SYNC relative to PCM_CLK using following equation:

$$f = \frac{\text{PCM_CLK}}{\text{SYNC_LIMIT} \times 8}$$

Equation 2: PCM_SYNC Frequency Relative to PCM_CLK

CNT_RATE, CNT_LIMIT and SYNC_LIMIT are set using PSKEY_PCM_LOW_JITTER_CONFIG. As an example, to generate PCM_CLK at 512kHz with PCM_SYNC at 8kHz, set PSKEY_PCM_LOW_JITTER_CONFIG to 0x08080177.

14.2.6 PCM Configuration

Configure the PCM by using PSKEY_PCM_CONFIG32 and PSKEY_PCM_LOW_JITTER_CONFIG, see your PS Key file. The default for PSKEY_PCM_CONFIG32 is 0x00800000, i.e. first slot following sync is active, 13-bit linear voice format, long frame sync and interface master generating 256kHz PCM_CLK from 4MHz internal clock with no tri-state of PCM_OUT.

14.3 Digital Audio Interface (I²S)

The digital audio interface supports the industry standard formats for I²S, left-justified or right-justified. The interface shares the same pins as the PCM interface, which means each audio bus is mutually exclusive in its usage. Table 17 lists these alternative functions.

PCM Interface	I ² S Interface
PCM_OUT	SD_OUT
PCM_IN	SD_IN
PCM_SYNC	WS
PCM_CLK	SCK

Table 18: Alternative Function of the Digital Audio Bus Interface on the PCM Interface

Configure the digital audio interface using PSKEY_DIGITAL_AUDIO_CONFIG. Table 18 describes the values for the PS Key (PSKEY_DIGITAL_AUDIO_CONFIG) that is used to set-up the digital audio interface. For example, to configure an I²S interface with 16-bit SD data set PSKEY_DIGITAL_CONFIG to 0x0406.

Bit	Mask	Name	Description
D[0]	0x0001	CONFIG_JUSTIFY_FORMAT	0 for left justified, 1 for right justified
D[1]	0x0002	CONFIG_LEFT_JUSTIFY_DELAY	For left justified formats: 0 is MSB of SD data occurs in the first SCLK period following WS transition. 1 is MSB of SD data occurs in the second SCLK period.
D[2]	0x0004	CONFIG_CHANNEL_POLARITY	For 0, SD data is left channel when WS is high. For 1 SD data is right channel.
D[3]	0x0008	CONFIG_AUDIO_ATTEN_EN	For 0, 17 bit SD data is rounded down to 16 bits. For 1, the audio attenuation defined in CONFIG_AUDIO_ATTEN is applied over 24 bits with saturated rounding. Requires CONFIG_16_BIT_CROP_EN to be 0.
D[7:4]	0x00F0	CONFIG_AUDIO_ATTEN	Attenuation in 6 dB steps.
D[9:8]	0x0300	CONFIG_JUSTIFY_RESOLUTION	Resolution of data on SD_IN, 00=16 bit, 01=20 bit, 10=24 bit, 11=Reserved. This is required for right justified format and with left justified LSB first.
D[10]	0x0400	CONFIG_16_BIT_CROP_EN	For 0, 17 bit SD_IN data is rounded down to 16 bits. For 1 only the most significant 16 bits of data are received.

Table 19: PSKEY_DIGITAL_AUDIO_CONFIG

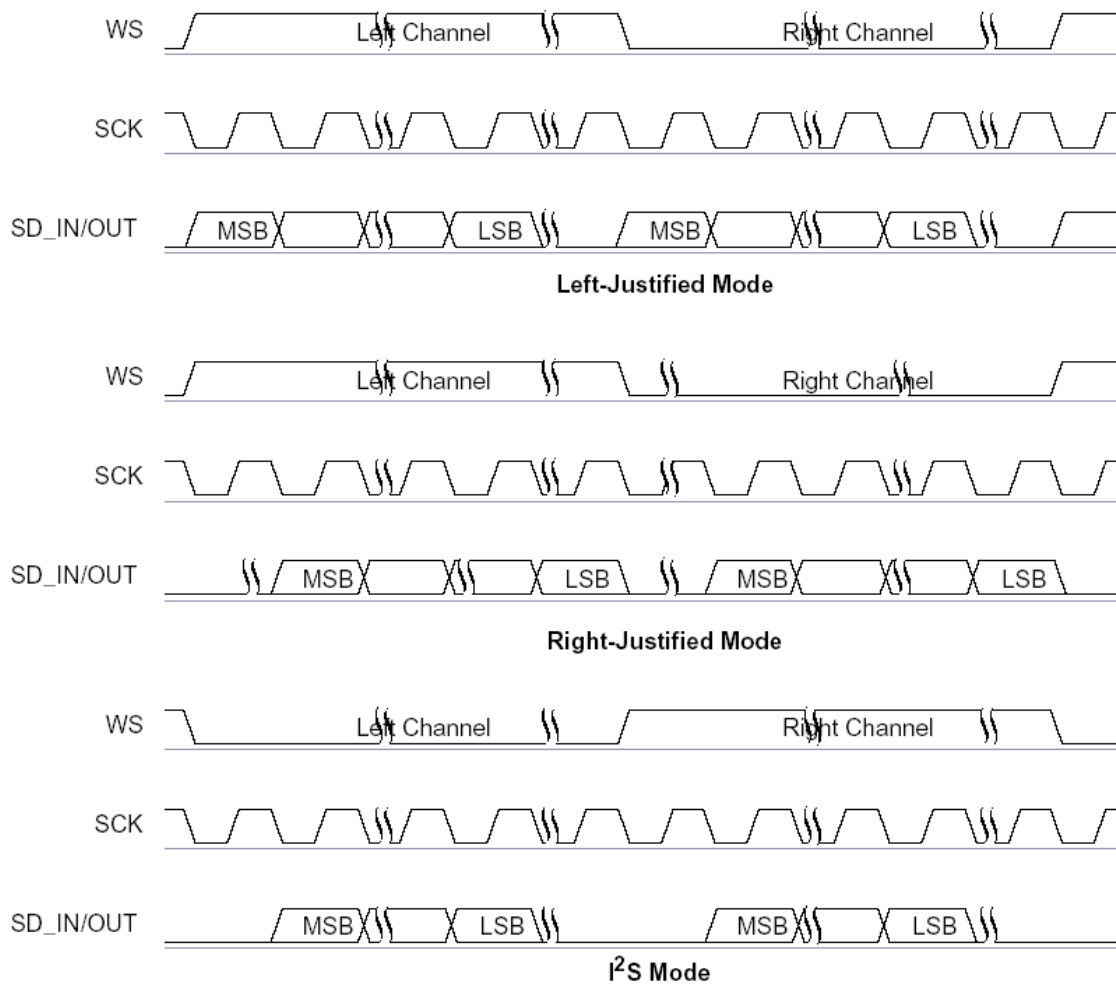


Figure 27: Digital Audio Interface Modes

The internal representation of audio samples within BT111 is 16-bit and data on SD_OUT is limited to 16-bit per channel.

Symbol	Parameter	Min	Typ	Max	Unit
-	SCK Frequency	-	-	6.2	MHz
-	WS Frequency	-	-	96	kHz
t _{ch}	SCK high time	80	-	-	ns
t _{cl}	SCK low time	80	-	-	ns

Table 20: Digital Audio Interface Slave Timing

Symbol	Parameter	Min	Typ	Max	Unit
t_{ssu}	WS valid SCK high set-up time	20	-	-	ns
t_{sh}	SCK high to WS invalid hold time	2.5	-	-	ns
t_{opd}	SCK low to SD_OUT valid delay time	-	-	20	ns
t_{isu}	SD_IN valid to SCK high set-up time	20	-	-	ns
t_{ih}	SCK high to SD_IN invalid hold time	2.5	-	-	ns

Table 21: I²C Slave Mode Timing

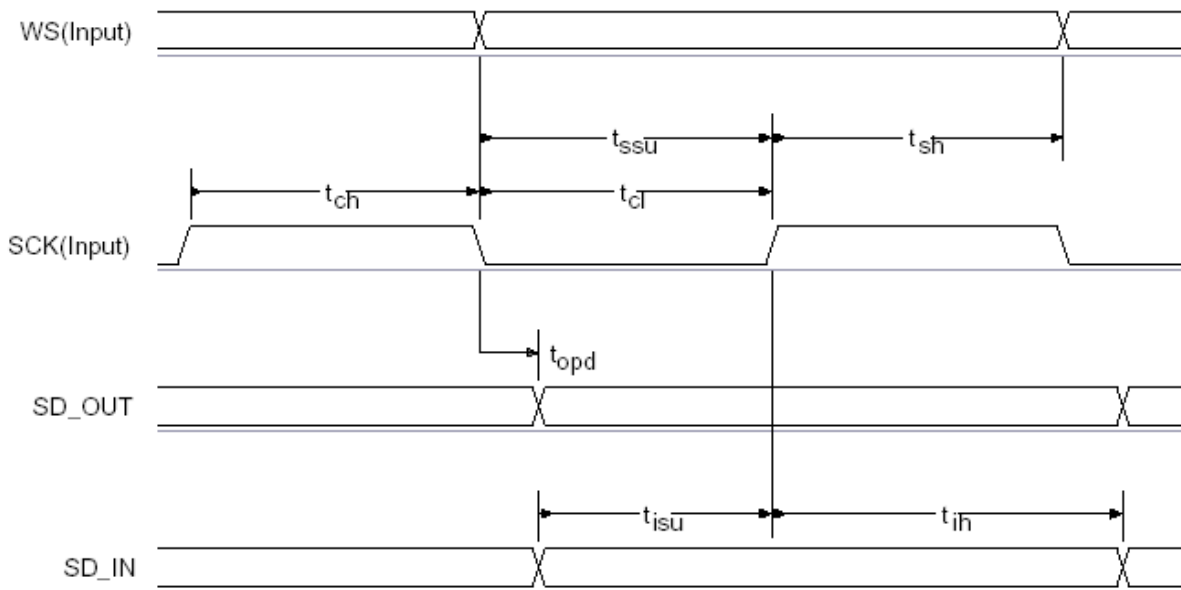


Figure 28: Digital Audio Interface Slave Timing

Symbol	Parameter	Min	Typ	Max	Unit
-	SCK Frequency	-	-	6.2	MHz
-	WS Frequency	-	-	96	kHz

Table 22: Digital Audio Interface Master Timing

Symbol	Parameter	Min	Typ	Max	Unit
t_{spd}	SCK low to WS valid delay time	-	-	39.27	ns
t_{opd}	SCK low to SD_OUT valid delay time	-	-	18.44	ns
t_{isu}	SD_IN valid to SCK high set-up time	18.44	-	-	ns
t_{ih}	SCK high to SD_IN invalid hold time	0	-	-	ns

Table 23: I²S Master Mode Timing Parameters, WS and SCK as Outputs

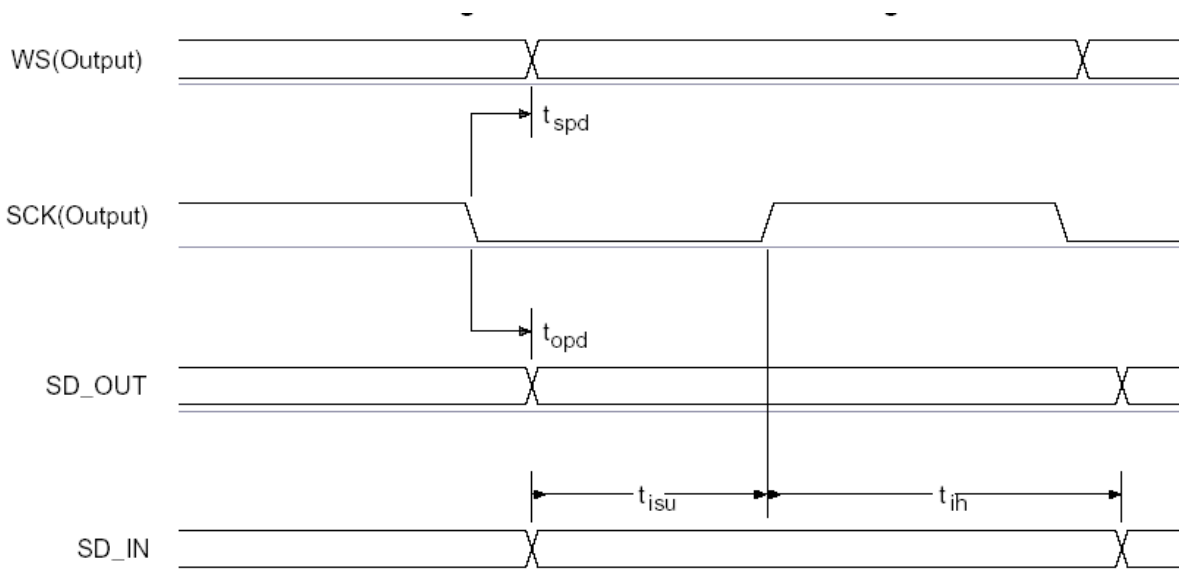


Figure 29: Digital Audio Interface Master Timing

15 Power Control and Regulation

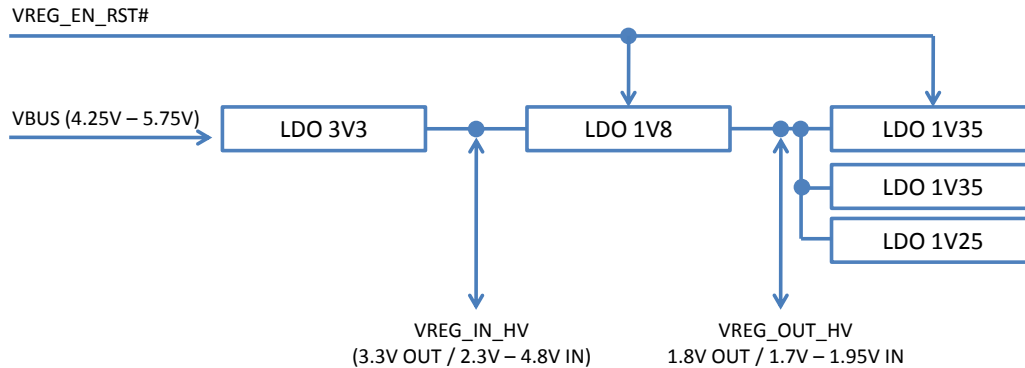


Figure 30: Internal regulators and powering of BT111

15.1 Voltage Regulator Enable

All the regulators are enabled, except the USB linear regulator, by taking the VREG_EN_RST# pin above 1V. Also the BT111 firmware automatically controls the regulators.

Important Note:

VREG_EN_RST# should not be taken high before the supply on VREG_IN_HV is present.

The VREG_EN_RST# pin is connected internally to the reset function and is powered from VDD_PADS, so do not apply voltages above VDD_PADS to the VREG_EN_RST# pin. The VREG_EN_RST# pin is pulled down internally.

15.2 USB Linear Regulator

The integrated USB LDO linear regulator is available as a 3.30V supply rail and is intended to supply the USB interface and the high-voltage linear regulator. The input voltage range is between 4.25V and 5.75V. The maximum current from this regulator is 150mA.

This regulator is enabled by default. If the USB linear regulator is not required leave its input (VREG_IN_USB) unconnected.

15.3 High Voltage Linear Regulator

The integrated high-voltage linear regulator is available to power the main 1.8V supply rail. The input voltage range is between 2.3V and 4.8V. The maximum current from this regulator is 100mA.

Take VREG_EN_RST# high to enable this regulator.

Important Note:

VREG_EN_RST# should not be taken high before the supply on VREG_IN_HV is present.

If this regulator is not required then leave VREG_IN_HV unconnected or tied to VREG_OUT_HV.

15.4 Low Voltage Linear Regulators

BT111 has three integrated low voltage linear regulators providing the internal supply voltages for RF and digital circuits of BT111. The input voltage range is between 1.70V and 1.95V.

15.5 Powering Sequence

All the power supplies should be powered at the same time. The order of powering the supplies relative to the I/O supply, VDD_PADS to VDD_HOST, is not important. If the I/O supply is powered before VDD_DIG, all digital I/Os are weak pull-downs irrespective of the reset state.

15.6 Reset

The reset function is internally tied to the VREG_EN_RST# pin. BT111 is reset from several sources:

- VREG_EN_RST# pin
- Power-on reset
- Via a software-configured watchdog timer

The VREG_EN_RST# pin is an active low reset. Assert the reset signal for a period >5ms to ensure a full reset.

Important Note:

Bluegiga does not recommend assertions of the reset of <5ms on the VREG_EN_RST# pin, as any glitches on this line can affect I/O integrity without triggering a reset.

A warm reset function is also available under software control. After a warm reset the RAM data remains available.

Pin Name/Group	I/O Type	No Core Supply Reset	Full Chip Reset
VREG_EN_RST#	Digital input	Strong pull-down	N/A
SPI_CLK/PCM_CLK / PIO[24]	Digital bidirectional tristated	Weak pull-down	Weak pull-down
SPI_CS# / PCM_SYNC / PIO[23]	Digital bidirectional tristated	Weak pull-up (SPI) Weak pull-down (PCM)	Weak pull-up (SPI) Weak pull-down (PCM / PIO)
SPI_MISO / PCM_OUT / PIO[22]	Digital output tristated	Weak pull-down	Weak pull-down
SPI_MOSI / PCM_OUT / PIO[21]	Digital input	Weak pull-down	Weak pull-down
PIO[5:0]	Digital bidirectional tristated	Weak pull-down	Weak pull-down

Table 24: Digital Pin States on Reset

16 Example Schematic

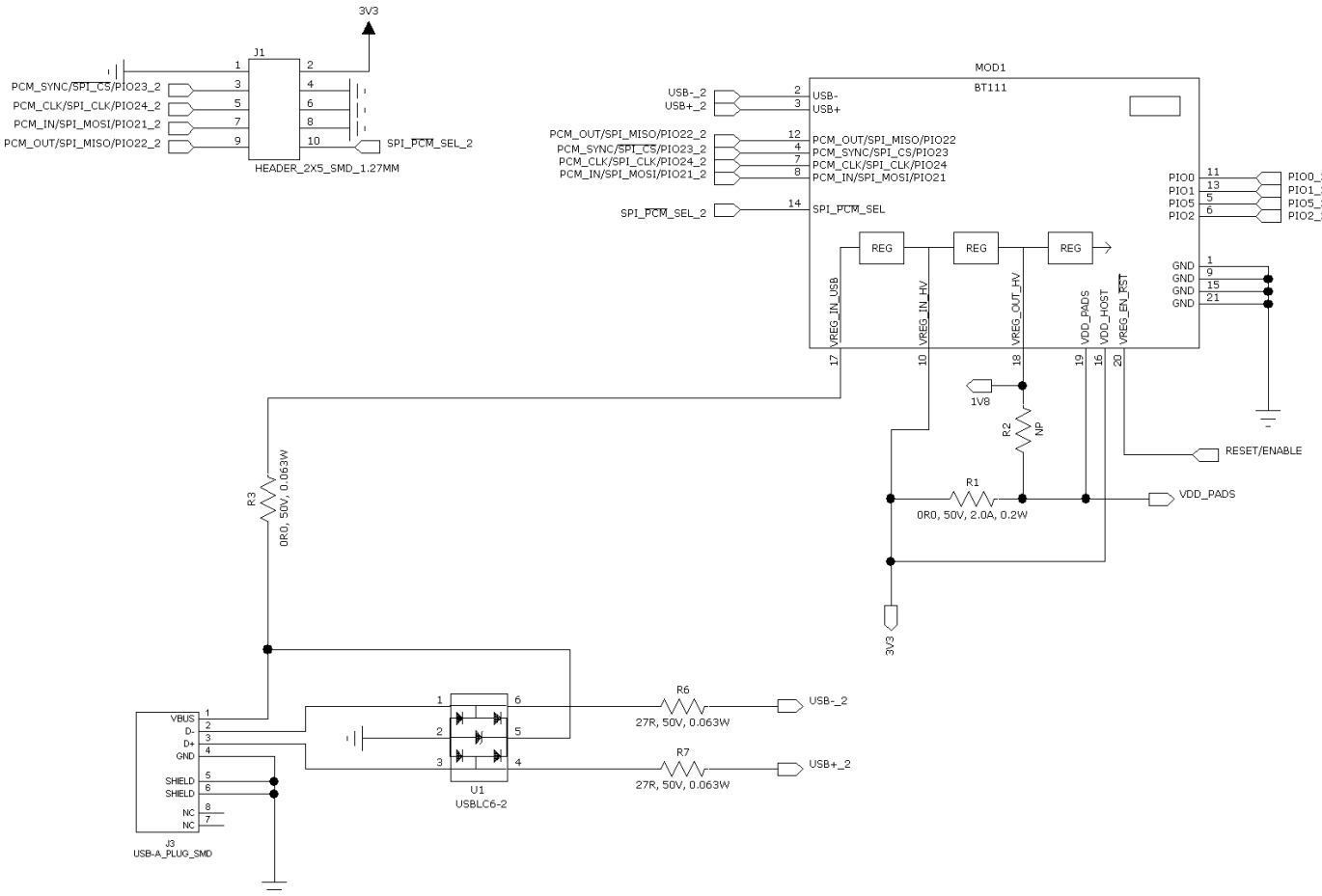


Figure 31: Example schematic for BT111

17 Software

BT111 is supplied with an on-chip *Bluetooth* v4.0 specification qualified HCI Controller stack firmware. It also has an EEPROM chip, which allows modifications of many configuration parameters (PS-keys) of the *Bluetooth* chip.

When the BT111 development kit is plugged into your PC, it will show up as a generic *Bluetooth* Controller, and the *Bluetooth* Host stack installed on your PC will take control of it.

To access BT111's configuration parameters, which are stored on its EEPROM chip, you need the included SPI connector and *PSTool* software from the *CSR BlueSuite* tool collection. *BlueSuite* is available on the Bluegiga Techforum at <http://techforum.bluegiga.com>.

PSTool contains a full list of the parameters that are possible to modify, along with their descriptions. Some common parameter keys are:

- (0x0108) PSKEY_DEVICE_NAME – *Bluetooth* name of the device
- (0x02be) PSKEY_USB_VENDOR_ID – USB Vendor ID, if you have your own VID and wish to use it (Default is 0a12 which is CSR's VID)
- (0x02bf) PSKEY_USB_PRODUCT_ID – USB Product ID (Default is 0)

Please see the quick start guide for more information and examples.

17.1 On-chip Software

17.1.1 Bluetooth HCI Stack

Figure 32 shows an example implementation. An internal processor runs the *Bluetooth* stack up to the HCI. The host processor must provide all the upper layers of *Bluetooth* protocol including the application.

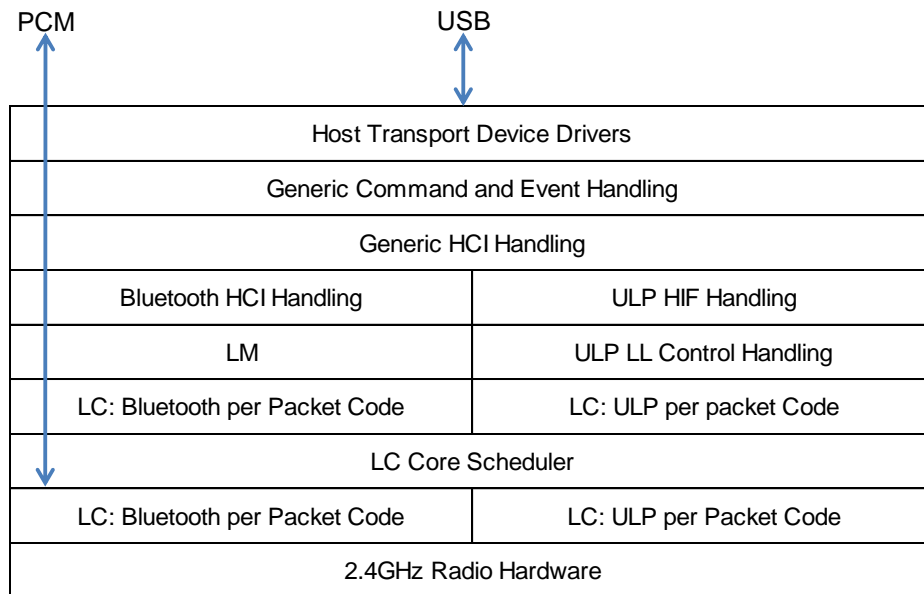


Figure 32: Example FW Architecture

17.1.2 Latest Feature of the HCI Stack

BT111 is based on *Bluetooth* v4.0 qualified chip CSR8510 by CSR. This introduces the following features:

- Generic Alternate MAC/PHY (AMP)
- Generic Test Methodology for AMP
- 802.11 Protocol Adaptation Layer
- Enhanced Power Control
- Enhanced USB and SDIO HCI Transports
- HCI read Encryption Key Size command
- Unicast Connectionless Data

For *Bluetooth* v3.0 + HS operation a separate 802.11 IC is used in conjunction with BT111

18 Soldering Recommendations

BT111 is compatible with a industrial standard reflow profile for Pb-free solders. The reflow profile used is dependent on the thermal mass of the entire populated PCB, heat transfer efficiency of the oven and particular type of solder paste used. Consult the datasheet of particular solder paste for profile configurations.

Bluegiga Technologies will give following recommendations for soldering the module to ensure the reliable solder joint and operation of the module after soldering. Since the profile used is process and layout dependent, the optimal profile should be studied case by case. Thus the following recommendation should be taken into account as a starting point.

- Refer to technical documentations of particular solder paste for profile configurations
- Avoid using more than one flow.
- Reliability of the solder joint and self-alignment of the component are dependent on the solder volume. Minimum of 150 μ m stencil thickness is recommended.
- Aperture size of the stencil should be 1:1 with the pad size.
- A low residue, “no clean” solder paste should be used due to low mounted height of the component.

19 Certifications

19.1 *Bluetooth*

BT111 is based on *Bluetooth* v4.0 qualified chip CSR8510 by CSR. BT111 can be used as a controller subsystem with the *Bluetooth* QD ID B017701. To make a complete *Bluetooth* end product, Controller Subsystem is used together with a qualified Host Subsystem.

19.2 FCC/IC (USA/Canada)

This device complies with Part 15 of the FCC Rules. Operation is subject to the following two conditions:

- (1) this device may not cause harmful interference, and
- (2) this device must accept any interference received, including interference that may cause undesired operation.

Any changes or modifications not expressly approved by Bluegiga Technologies could void the user's authority to operate the equipment.

FCC RF Radiation Exposure Statement:

This equipment complies with FCC radiation exposure limits set forth for an uncontrolled environment. End users must follow the specific operating instructions for satisfying RF exposure compliance. This transmitter meets both portable and mobile limits as demonstrated in the RF Exposure Analysis and should not be used closer than 5 mm from a human body in portable configuration. This transmitter must not be co-located or operating in conjunction with any other antenna or transmitter except in accordance with FCC multi-transmitter product procedures.

IC Statements:

This device complies with Industry Canada licence-exempt RSS standard(s). Operation is subject to the following two conditions: (1) this device may not cause interference, and (2) this device must accept any interference, including interference that may cause undesired operation of the device.

Under Industry Canada regulations, this radio transmitter may only operate using an antenna of a type and maximum (or lesser) gain approved for the transmitter by Industry Canada. To reduce potential radio interference to other users, the antenna type and its gain should be so chosen that the equivalent isotropically radiated power (e.i.r.p.) is not more than that necessary for successful communication.

OEM Responsibilities to comply with FCC and Industry Canada Regulations

The BT111 module has been certified for integration into products only by OEM integrators under the following condition:

- The antenna(s) must be installed such that a minimum separation distance of 5 mm is maintained between the radiator (antenna) and all persons at all times.
- The transmitter module must not be co-located or operating in conjunction with any other antenna or transmitter except in accordance with FCC multi-transmitter product procedures.

As long as the two condition above is met, further transmitter testing will not be required. However, the OEM integrator is still responsible for testing their end-product for any additional compliance requirements required with this module installed (for example, digital device emissions, PC peripheral requirements, etc.).

IMPORTANT NOTE: In the event that these conditions can not be met (for certain configurations or co-location with another transmitter), then the FCC and Industry Canada authorizations are no longer considered valid and the FCC ID and IC Certification Number can not be used on the final product. In these circumstances, the OEM integrator will be responsible for re-evaluating the end product (including the transmitter) and obtaining a separate FCC and Industry Canada authorization.

End Product Labeling

The BT111 module is labeled with its own FCC ID and IC Certification Number. If the FCC ID and IC Certification Number are not visible when the module is installed inside another device, then the outside of the device into which the module is installed must also display a label referring to the enclosed module. In that case, the final end product must be labeled in a visible area with the following:

“Contains Transmitter Module FCC ID: QOQBT111”

“Contains Transmitter Module IC: 5123A-BGTBT111”

or

“Contains FCC ID: QOQBT112”

“Contains IC: 5123A-BGTBT111”

The OEM integrator has to be aware not to provide information to the end user regarding how to install or remove this RF module or change RF related parameters in the user manual of the end product.

19.2.1 FCC et IC

Déclaration d’IC :

Ce dispositif est conforme aux normes RSS exemptes de licence d’Industrie Canada. Son fonctionnement est assujetti aux deux conditions suivantes : (1) ce dispositif ne doit pas provoquer de perturbation et (2) ce dispositif doit accepter toute perturbation, y compris les perturbations qui peuvent entraîner un fonctionnement non désiré du dispositif.

Selon les réglementations d’Industrie Canada, cet émetteur radio ne doit fonctionner qu’avec une antenne d’une typologie spécifique et d’un gain maximum (ou inférieur) approuvé pour l’émetteur par Industrie Canada. Pour réduire les éventuelles perturbations radioélectriques nuisibles à d’autres utilisateurs, le type d’antenne et son gain doivent être choisis de manière à ce que la puissance isotrope rayonnée équivalente (P.I.R.E.) n’excède pas les valeurs nécessaires pour obtenir une communication convenable.

Responsabilités des OEM quant à la conformité avec les réglementations de FCC et d’Industrie Canada

Les modules BT111 ont été certifiés pour entrer dans la fabrication de produits exclusivement réalisés par des intégrateurs dans les conditions suivantes :

- L'antenne (ou les antennes) doit être installée de façon à maintenir à tout instant une distance minimum de 5 mm entre la source de radiation (l'antenne) et toute personne physique.
- Le module transmetteur ne doit pas être installé ou utilisé en concomitance avec une autre antenne ou un autre transmetteur.

Tant que ces deux conditions sont réunies, il n'est pas nécessaire de procéder à des tests supplémentaires sur le transmetteur. Cependant, l'intégrateur est responsable des tests effectués sur le produit final afin de se mettre en conformité avec d'éventuelles exigences complémentaires lorsque le module est installé (exemple : émissions provenant d'appareils numériques, exigences vis-à-vis de périphériques informatiques, etc.)

REMARQUE IMPORTANTE : En cas d'inobservance de ces conditions (en ce qui concerne certaines configurations ou l'emplacement du dispositif à proximité d'un autre émetteur), les autorisations de FCC et d'Industrie Canada ne seront plus considérées valables et l'identification de FCC et le numéro de certification d'IC ne pourront pas être utilisés sur le produit final. Dans ces cas, l'intégrateur OEM sera chargé d'évaluer à nouveau le produit final (y compris l'émetteur) et d'obtenir une autorisation indépendante de FCC et d'Industrie Canada.

Étiquetage du produit final

Le module BT111 est étiqueté avec sa propre identification FCC et son propre numéro de certification IC. Si l'identification FCC et le numéro de certification IC ne sont pas visibles lorsque le module est installé à l'intérieur d'un autre dispositif, la partie externe du dispositif dans lequel le module est installé devra également présenter une étiquette faisant référence au module inclus. Dans ce cas, le produit final devra être étiqueté sur une zone visible avec les informations suivantes :

« Contient module émetteur identification FCC : QOQBT111 »

« Contient module émetteur IC : 5123A-BGTBT111 »

ou

« Contient identification FCC : QOQBT111 »

« Contient IC : 5123A-BGTBT111 »

Dans le guide d'utilisation du produit final, l'intégrateur OEM doit s'abstenir de fournir des informations à l'utilisateur final portant sur les procédures à suivre pour installer ou retirer ce module RF ou pour changer les paramètres RF.

19.3 CE (Europe)

BLE112 is in conformity with the essential requirements and other relevant requirements of the R&TTE Directive (1999/5/EC). The product is conformity with the following standards and/or normative documents.

- EMC (immunity only) EN 301 489-17 V2.1.1
- Radiated emissions EN 300 328 V1.7.1
- Safety EN60950-1:2006+A11:2009+A1:2010+A12:2011

19.4 Japan

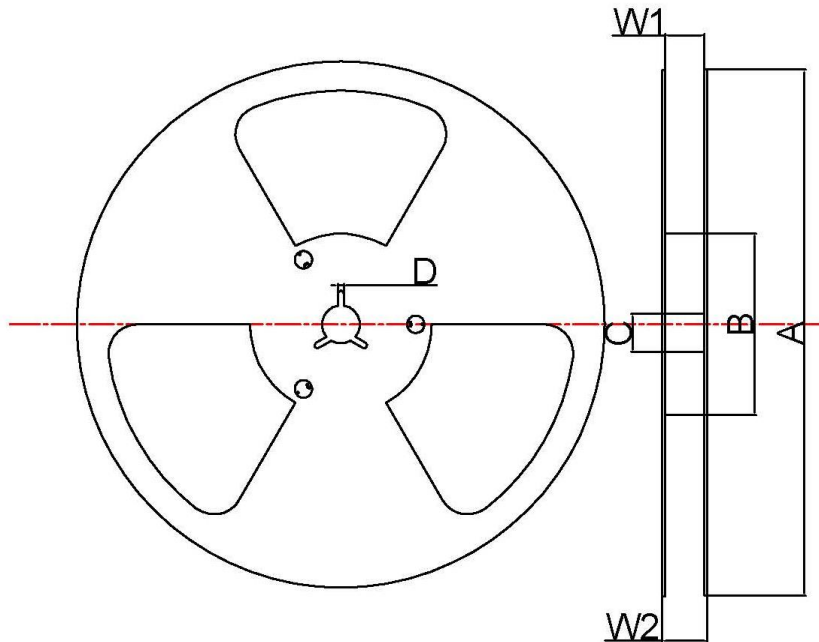
TBA

20 Moisture Sensitivity Level (MSL) classification

Moisture sensitivity level (MSL) of this product is 3. Please follow the handling guidelines of the standard IPC/JEDEC J-STD-020 and J-STD-033.

21 Packaging and Reel Information

Reel Appearance and Dimensions



Location	A	B	C	D	W1	W2
Dimensions	330	100	13.0	2.2	44.5	49.1
Tolerance	±0.5	±1	±0.2	±0.5	±0.1	±0.2

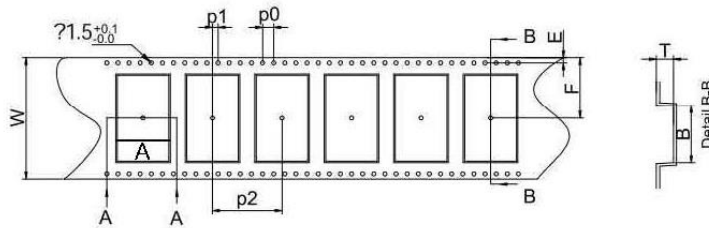
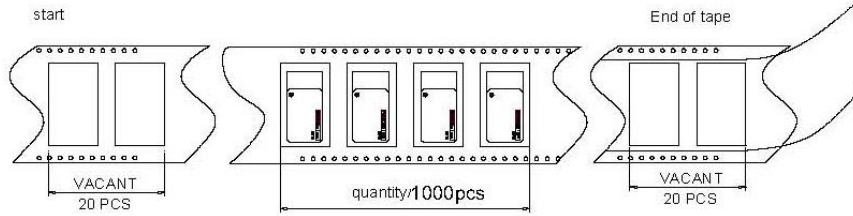
NOTES:

1. MATERIAL:HIPS,ANT-STATIC $10^5 \sim 10^{11}$ OHM/SQ.
- 2.COLOR:BLUE

Figure 33: BT111 reel dimensions

1. Package direction and Tape spec

Package direction:



P/N 3500275600	A	B	W	F	E	P0	P1	P2	T
size(mm)	9.7	13.45	44	20.2	1.75	4.0	2.0	20.0	2.7
Tolerance	+0.15 -0	+0.15 -0	+/-0.3	+/-0.15	+0.1	+/-0.1	+/-0.15	+/-0.1	+0.15 -0

NOTES:

1. 10 sprocket hole pitch cumulative tolerance **+0.15/-0mm**
2. carrier camber not to exceed 1mm in 100mm
3. A and B measured on a plane 0.3mm above the bottom of the pocket
4. T measure form 0 plane on the inside bottom of the pocket to the top surface of the carrier.
5. All dimensions meet EIA-481-C requirements.
6. material: black Anti-static Polystyrene
7. Resistivity 10^8 - 10^{11} square.

Figure 34: Package tape dimensions

22 Contact Information

Sales: sales@bluegiga.com

Technical support: www.bluegiga.com

Orders: orders@bluegiga.com

WWW: www.bluegiga.com
www.bluegiga.hk

Head Office / Finland:

Phone: +358-9-4355 060
Fax: +358-9-4355 0660
Sinikalliontie 5A
02630 ESPOO
FINLAND

Postal address / Finland:

P.O. BOX 120
02631 ESPOO
FINLAND

Sales Office / USA:

Phone: +1 770 291 2181
Fax: +1 770 291 2183
Bluegiga Technologies, Inc.
3235 Satellite Boulevard, Building 400, Suite 300
Duluth, GA, 30096, USA

Sales Office / Hong Kong:

Phone: +852 3972 2186
Bluegiga Technologies Ltd.
Unit 10-18
32/F, Tower 1, Millennium City 1
388 Kwun Tong Road
Kwun Tong, Kowloon
Hong Kong

Mouser Electronics

Authorized Distributor

Click to View Pricing, Inventory, Delivery & Lifecycle Information:

[Bluegiga Technologies:](#)

[BT111-A-HCI](#)