

Shenzhen Exlene Technology Co.,Ltd

<http://www.exlenerf.com>

8MP USB Camera Module



CAMERA MODULE SPECIFICATION

| | |
|-----------------------------|--|
| Item | BMC-USB8MP01 |
| Sensor | SONY IMX179 |
| Lens Size | 1/3 inch |
| Pixel Size | 1.4 μ m x 1.4 μ m |
| Maximum pixel | 3264(H)*2448(V) |
| Image format | YUV2 (YUYV) MJPEG |
| USB protocol | USB2.0 HS/FS |
| Free drive protocol support | USB Video Class (UVC) |
| AEC | support |
| AEB | support |
| AGC | support |
| Resolution | 640X480 VGA 30fps 800X600 SVGA 30fps 1024X768 XGA 20fps 1280X720 HD 25fps |

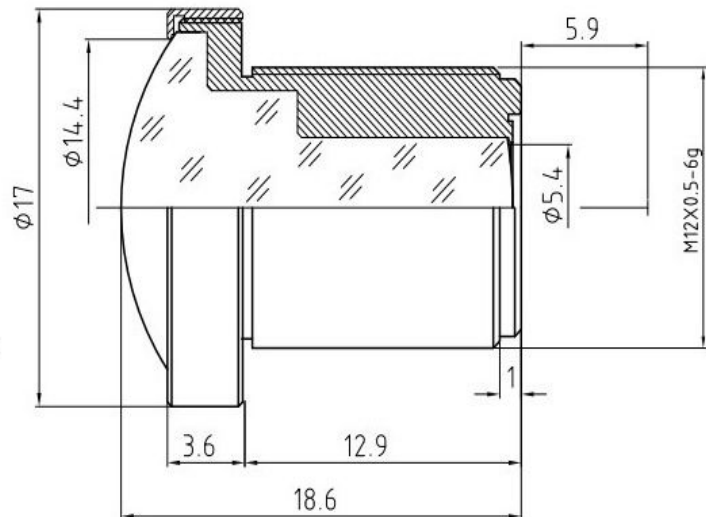
Shenzhen Exlene Technology Co.,Ltd

<http://www.exlenerf.com>

| | |
|-----------------------|--|
| | 1920X1080 FHD 25fps 2592*1944 5MP 20fps 3264*2448 8MP 15fps |
| Specific features | Lens correction Defective pixel correction Black sun cancellation |
| Night vision function | Support, optional infrared light board |
| Lens | Optional 2.1/2.8/3.6/6/8/12mm |
| USB Cable | 1m(default)、2m、3m、5m optional |
| Operating power | DC5V |
| Operating Current | 120mA~280mA |
| Operating Temperature | -20~70°C |
| PCB Size | 32mmX32mm |
| system | WinXP/Vista/Win7/Win8 Linux with UVC (above Linux-2.6.26) MAC-OS X 10.4.8 or above |

LENS SPECIFICATIONS

- 1, Sensing Area: 1/3"CCD/CMOS
- 2, Focal Length: 2.1±5%
- 3, Back Focal Length: 6.3±5% (in air)
- 4, Flange back Length: 5.9±5%
- 5, F/NO.: 1.8±5%
- 6, Iris: Fixed
- 7, Field of view: 170°/128°/95°
- 8, Resolution: MP
- 9, M.O.D: 0.1 m
- 10, Lens Construction: 6 Components 6 Elements
- 11, Thread Size: M12XP0.5-6g



Please feel free to inquiry us:

Shenzhen Exlene Technology Co.,Ltd

Email: sales@exlene.com, kelly@exlene.com

Skype id: [kellylee4838](https://www.skype.com/user/kellylee4838) (or [ex.lene](https://www.skype.com/user/ex.lene))

Website: www.exlenerf.com

Phone number: 0086 18681577737