

Voltage Ranger Electronics



Manual: Voltage Ranger

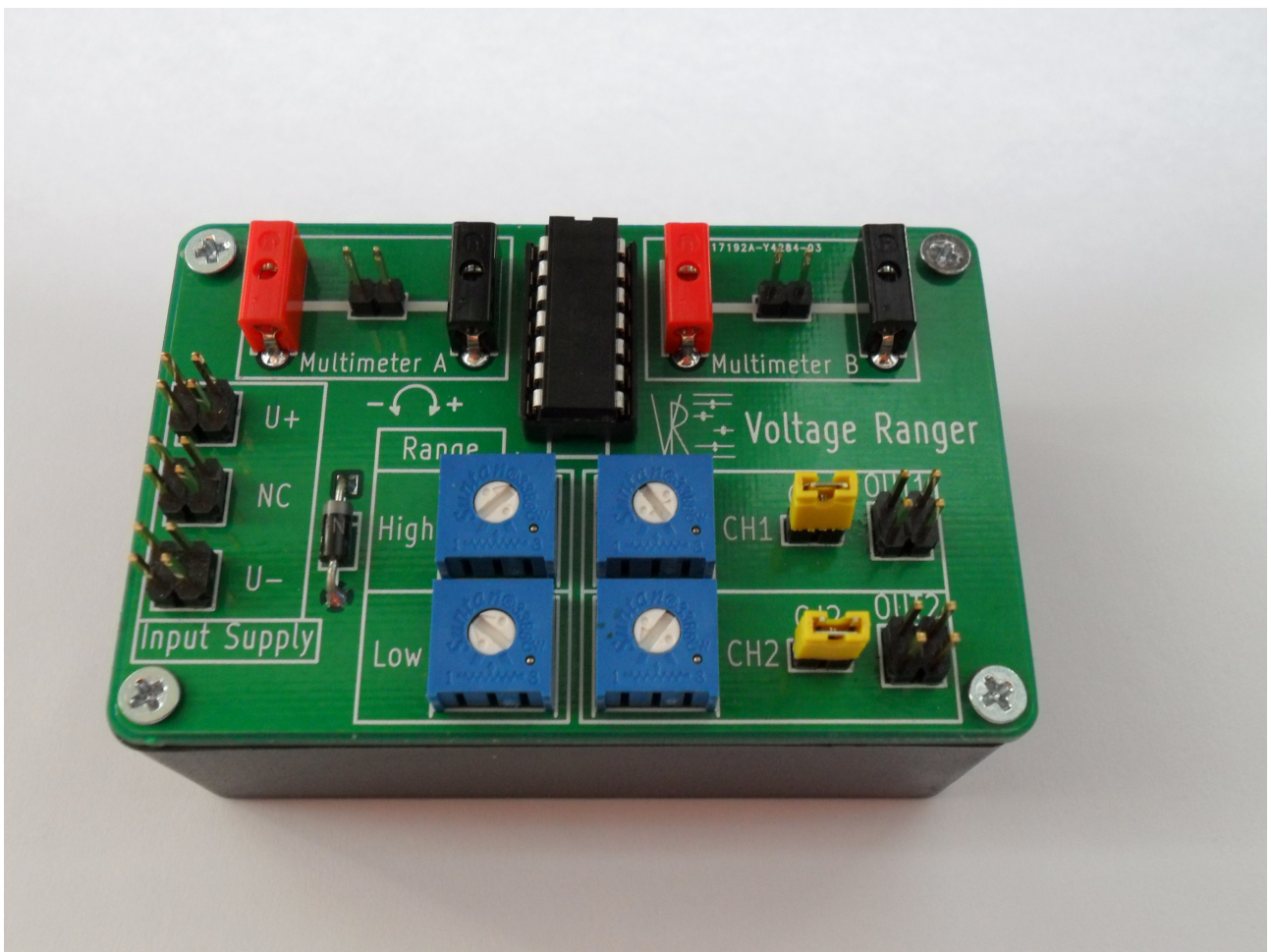
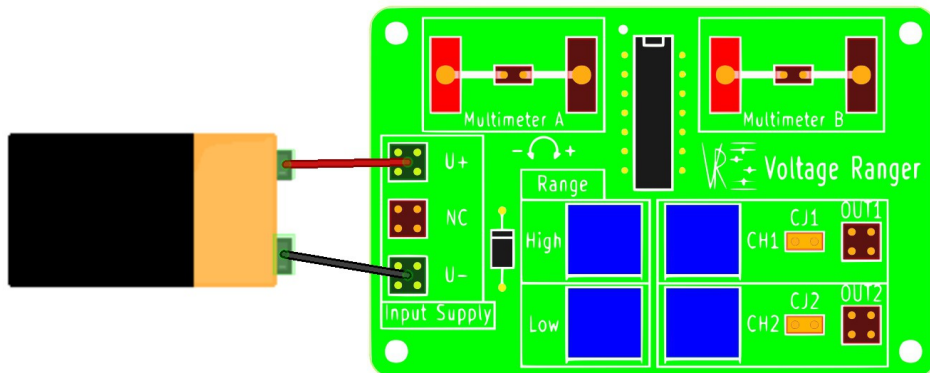


Table of contents

Supply.....	3
Single Supply.....	3
Dual Supply.....	3
Measurements.....	4
Voltage Measurement.....	4
Current Measurement.....	4
Grounding for Multimeter.....	5
Ground for Single or Dual Supply.....	5
Ground for Dual Supply.....	6
Examples.....	7
Setup Example.....	7
Schematic.....	8

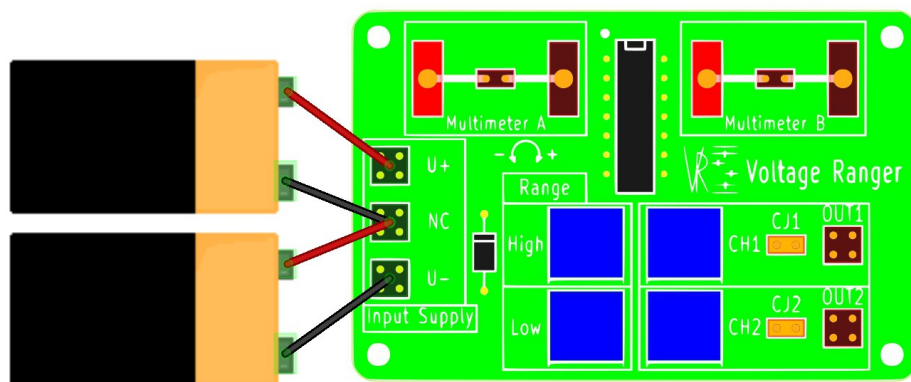
Supply

Single Supply



fritzing

Dual Supply

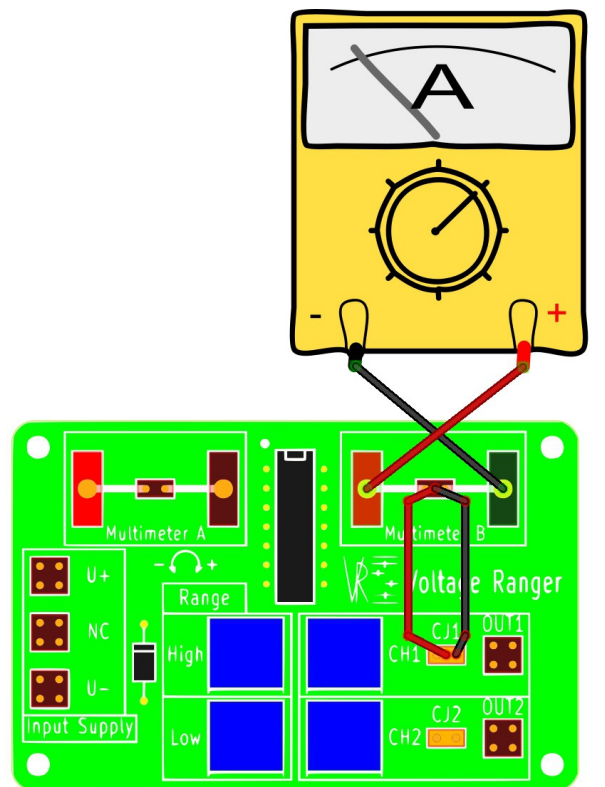


fritzing

Measurements

Voltage Measurement

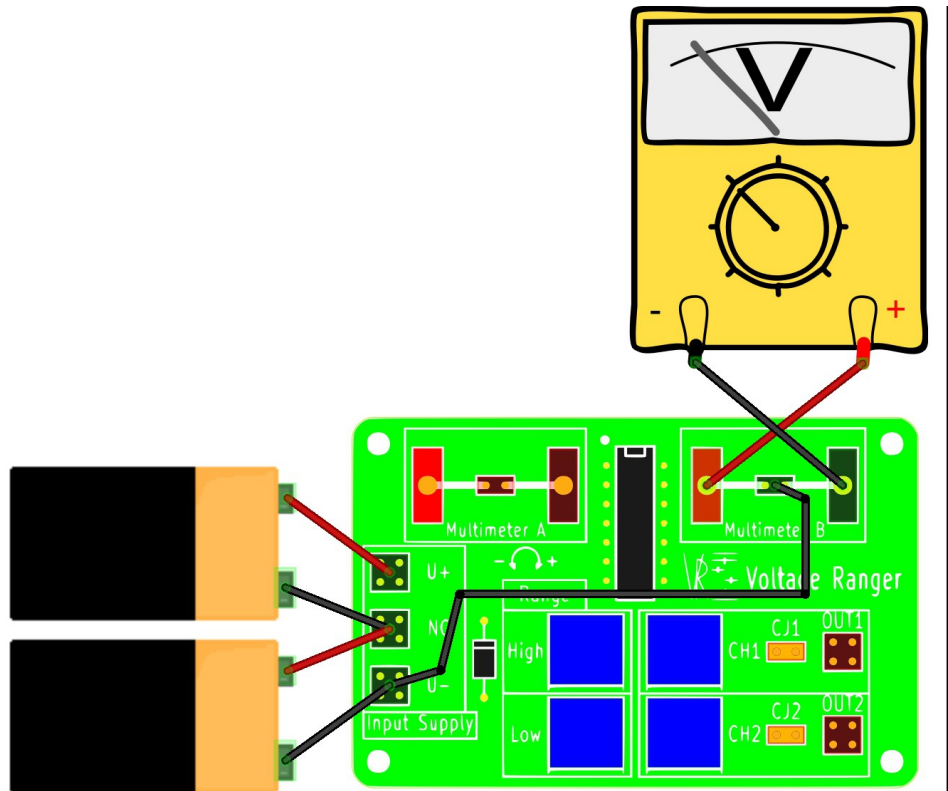
Current Measurement



fritzing

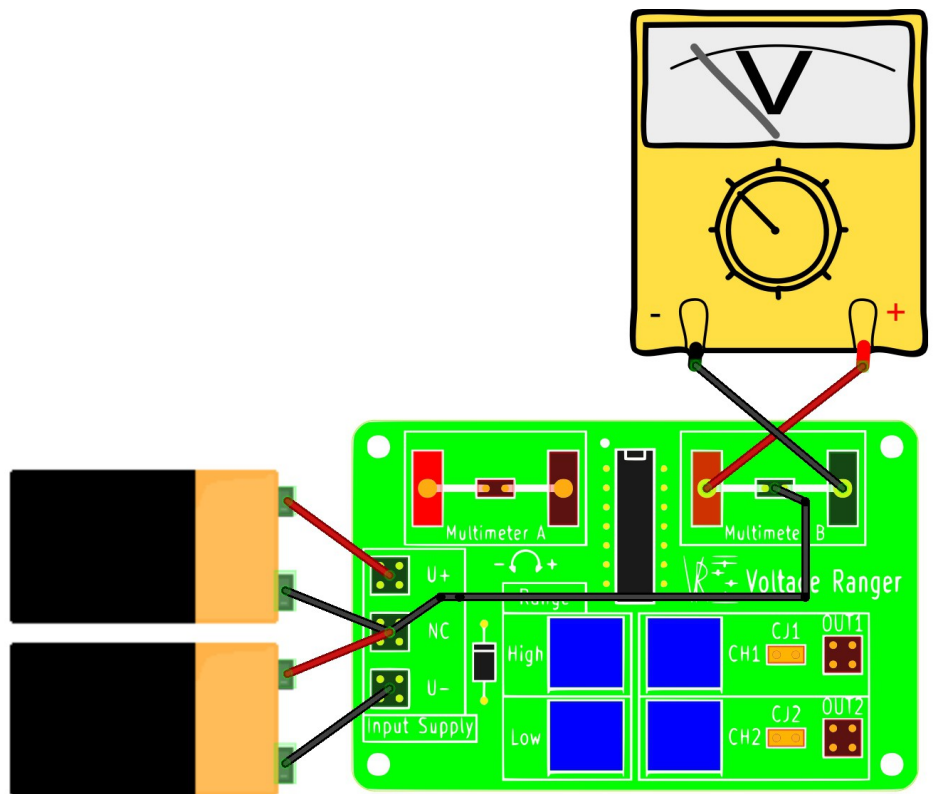
Grounding for Multimeter

Ground for Single or Dual Supply



fritzing

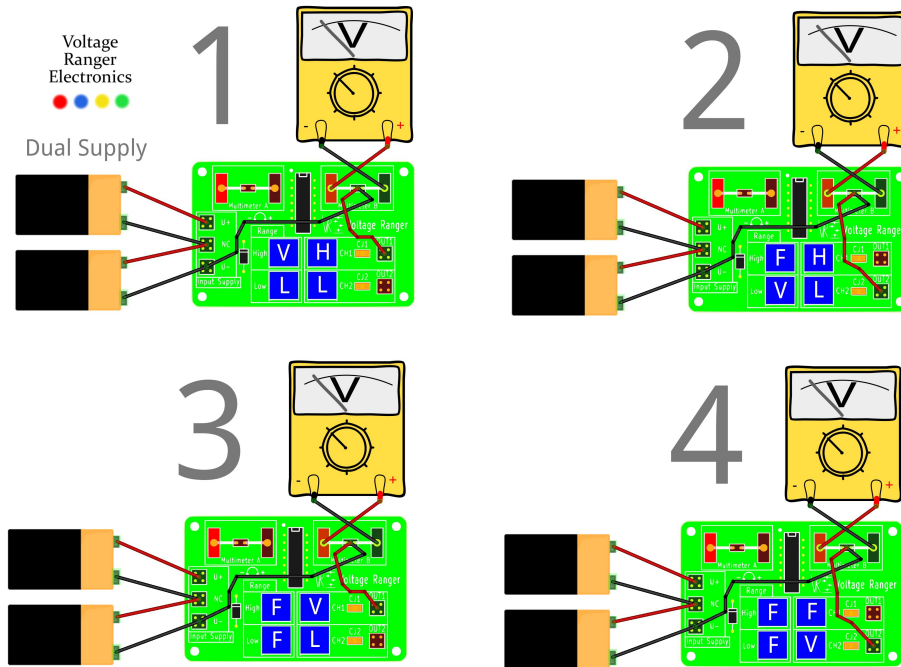
Ground for Dual Supply



fritzing

Examples

Setup Example



Setup Example

- 1: Vary Range High to set the maximum Output Voltage
- 2: Vary Range Low to set the minimum Output Voltage
- 3: Vary CH1 to set the initial Output Voltage
- 4: Vary CH2 to set the initial Output Voltage

The Multimeter Ground can also be NC instead of U- for Dual Supply
Also works with one Battery between U+ and U-

Potentiometer Positions:
L(Low), H(High), M(Middle), V(Variable),F(Fix)

Schematic

