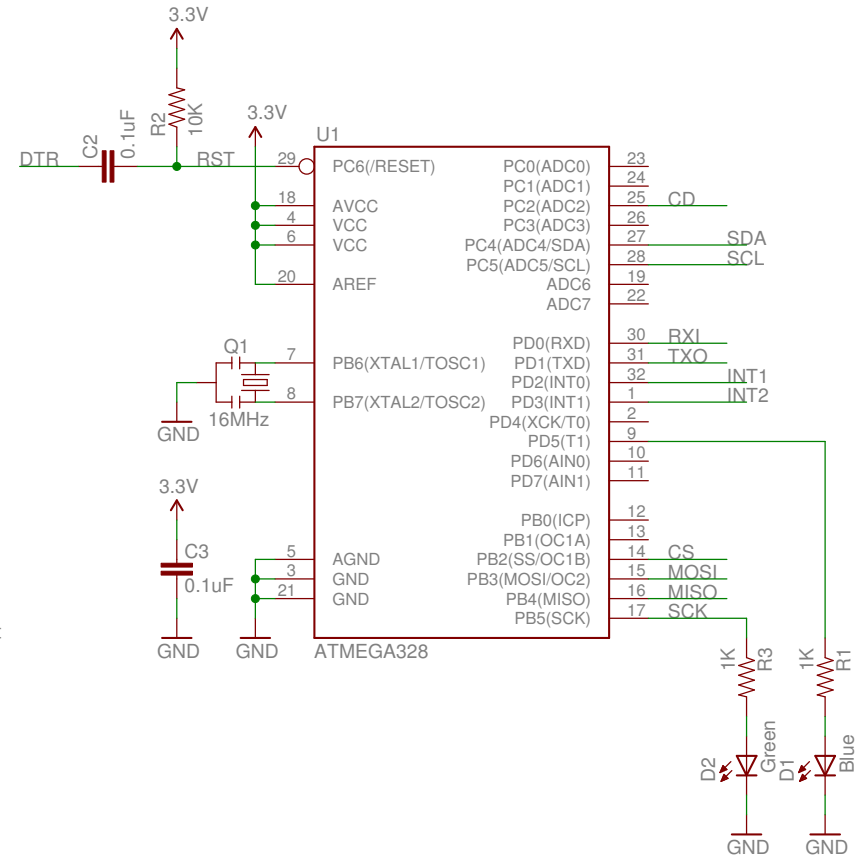
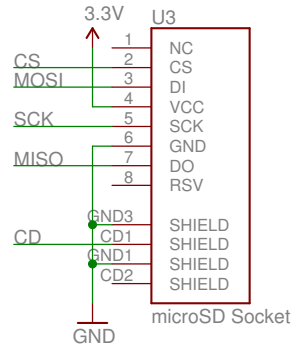
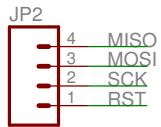
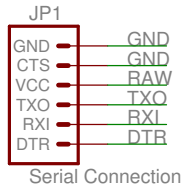


Max Voltage Input: 16VDC  
Max Current Output: 150mA



Remember, RXI is an input pin into OpenLog.  
This board is meant to couple directly to Arduino Pro and Pro Mini.  
It cannot be directly connected to an FTDI Basic.  
To connect OpenLog to an FTDI basic, you will need to swap TX and RX lines between boards.

