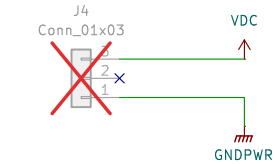
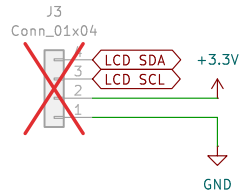


BATTERY POWER

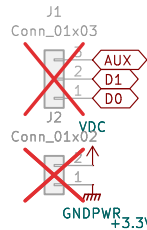
must be powered from reader OR battery
(no protection against powering from both, battery will blow)



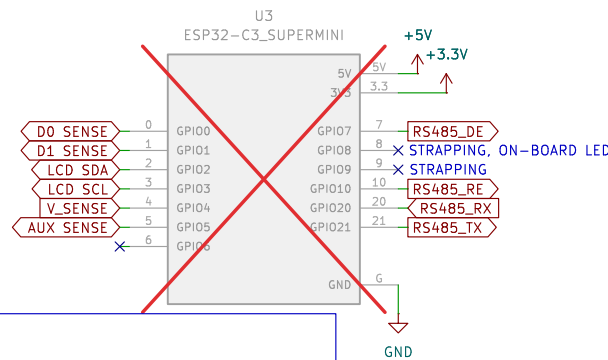
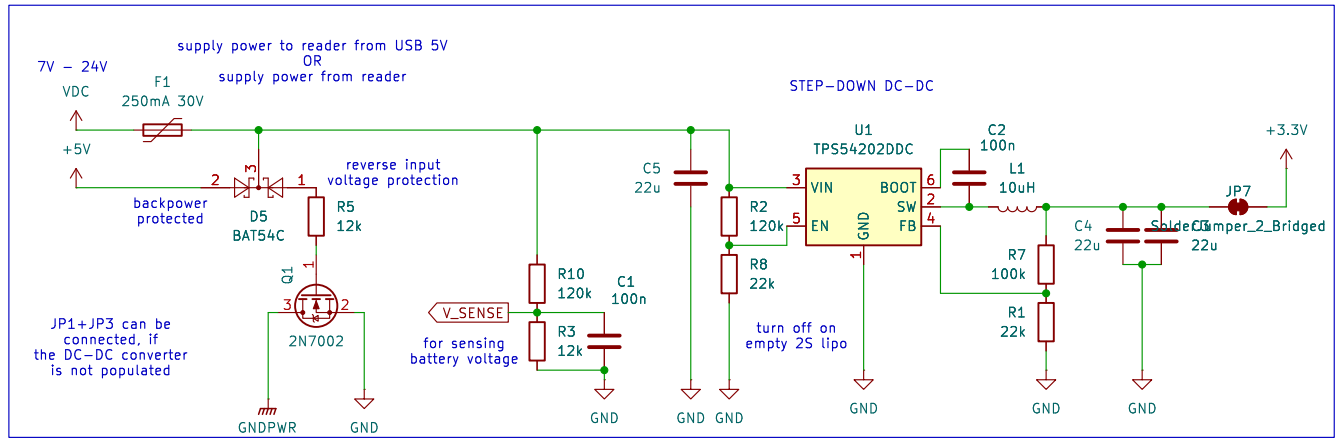
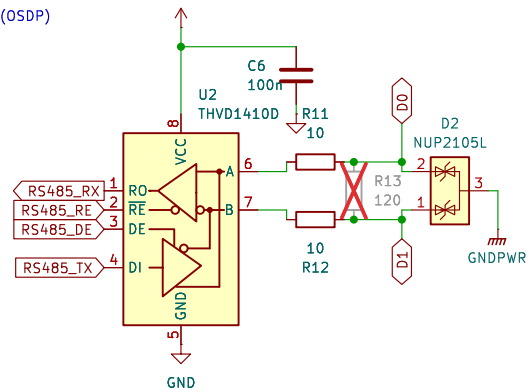
OLED LCD INTERFACE



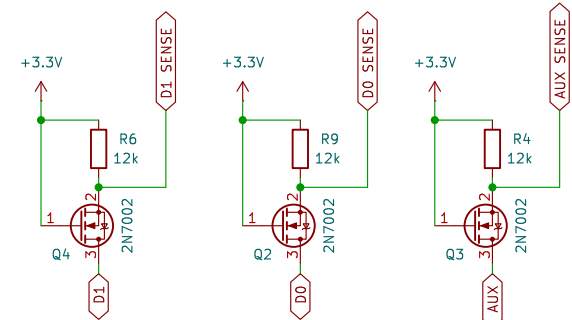
reader connector terminal strip



RS485 (OSDP)



WIEGAND



CERN Open Hardware Licence Version 2 – Strongly Reciprocal
Copyright (C) 2024, 2025 Jakub "lenwe" Kramar

Sheet: /
File: Tick.kicad_sch

Title: The Tick

Size: A4 | Date: 2025-04-07
KiCad E.D.A. 9.0.0

Rev: v0.2
Id: 1/1