

# IS4310-ISO485M6

## Isolated RS485 Modbus RTU Slave Module with RJ45

### Presentation

The IS4310-ISO485M6 is a ready-to-operate module integrating the Modbus RTU Slave chip IS4310 with an isolated RS485 Transceiver. This solution reduces to the minimum expression the design effort of integrating a Modbus RTU Slave with an isolated RS485 electrical interface.

The module is daisy-chained: it integrates two RJ45 connectors with the standard Modbus pinout.

The module can be directly soldered to your PCB with its castellated holes, or you can solder a pin header and use it as a module.

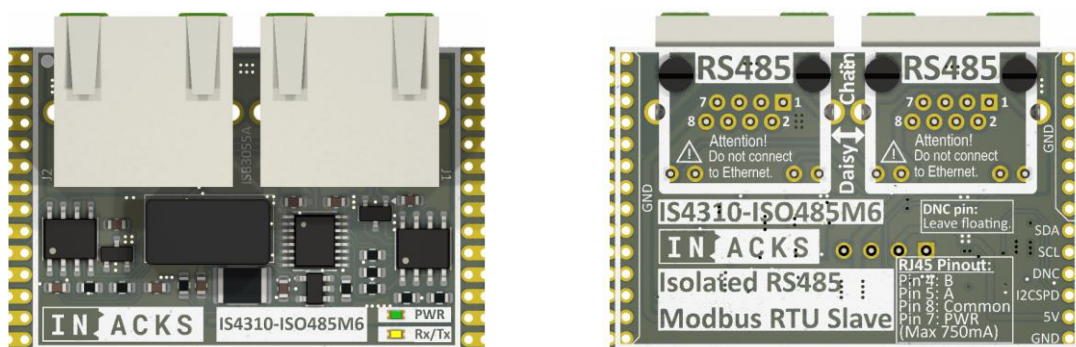
### Isolation Benefits

Isolation is a good solution for industrial environments with long-distance cables, significant ground potential differences between devices, or high electrical noise.



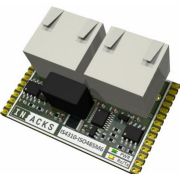


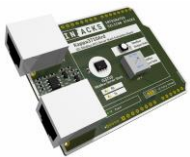

### Module Characteristics

Electrical Characteristics	
Module Voltage	5V
I2C Compatible Voltage Levels	3.3V, 5V
Isolated RS485	Yes

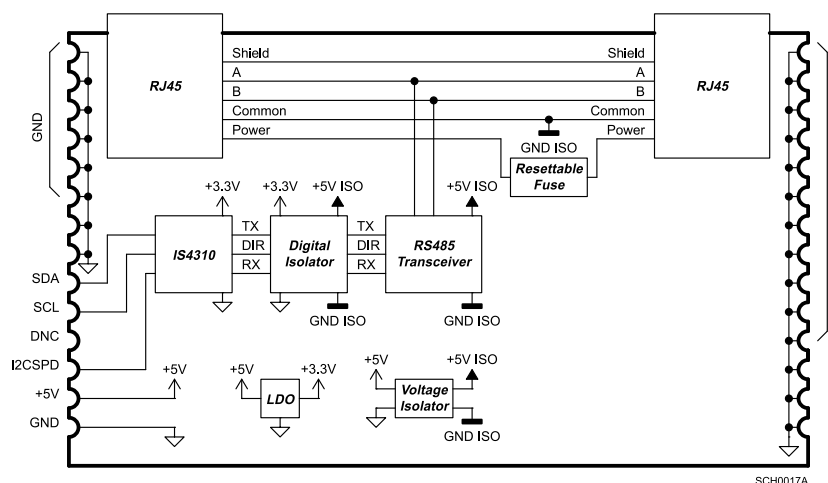
Modbus Characteristics	
Supported Function Codes:	3 (0x03) - Read Holding Registers 6 (0x06) - Write Single Register 16 (0x10) - Write Multiple Registers
Holding Registers:	500
Operating Mode:	RTU
Electrical Interface:	Isolated RS485



## Product Selection Guide

	Part Number	Form Factor	Physical Layer	Stack	Description
Only Stack	IS4310-S8 	SO8N	UART	Modbus RTU Server	Modbus RTU Slave Stack Chip.
Stack with Physical Layer	IS4310-485M2 	Castellated Holes Module	RS485	Modbus RTU Server	IS4310 with RS485 Transceiver. Industrial communications.
	IS4310-ISO485M6 	Castellated Holes Module	Isolated RS485	Modbus RTU Server	IS4310 with Isolated RS485 Transceiver. The isolation offers more robust communications and longer RS485 bus distances.
	IS4310-422M3 	Castellated Holes Module	RS422	Modbus RTU Server	IS4310 with RS422 Transceiver.
	IS4310-232M4 	Castellated Holes Module	RS232	Modbus RTU Server	IS4310 with RS232 Transceiver.
Evaluation Boards	Kappa4310Ard 	Arduino Compatible	RS485	Modbus RTU Server	IS4310 Evaluation Board with RS485 Transceiver. Compatible with Arduino.
	Kappa4310Rasp 	Raspberry Pi Compatible	RS485	Modbus RTU Server	IS4310 Evaluation Board with RS485 Transceiver. Compatible with Raspberry Pi.

## 1. Description



The IS4310-ISO485M6 is a compact (44 × 28 mm) module with castellated holes, designed for PCB mounting to function as an RS485 Modbus RTU Slave. It features two key components: the Modbus RTU Slave Stack (IS4310) and an RS485 transceiver.

The module features two RJ45 daisy-chain connectors and supports optional Bus Power daisy-chaining. When using a powered bus, the maximum allowable daisy-chained current is 750mA. A resettable fuse protects the module from excessive currents. Additionally, when using a Powered Modbus Serial Line, ensure the maximum cable current rating is not exceeded.

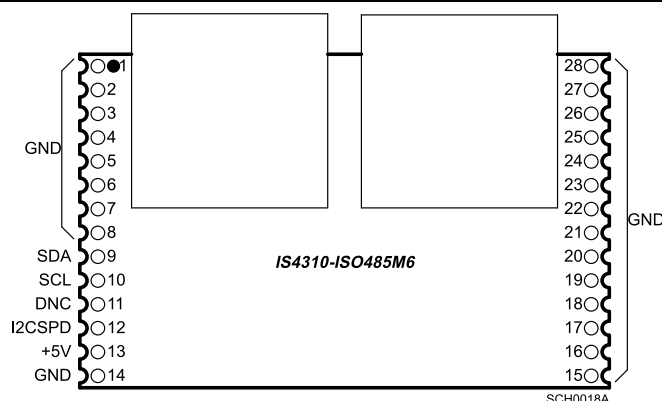
The return path for the PWR pad is through the GND pads, which are connected to the Common signal of the Serial Line.

The Shield pin is daisy-chained and not connected to any pad. All cable shields should be connected to Common and Protective Ground at a single point for the entire bus, ideally at the master device. Ensure that you use shielded cables and connectors to maintain proper electrical continuity across all cable shields on the bus.

The module operates at a fixed voltage of 5V. The I2C pads (SDA and SCL) are open-drain and compatible with both 3.3V and 5V. The DNC pad must be left unconnected. The I2CSPD pin is used for I2C speed selection. The module includes multiple GND pads, and proper soldering of all pads is essential for mechanical stability and durability when attaching the module to the main PCB.

The module also features a green LED to indicate power status and a yellow LED to signal data transmission or reception. Each RJ45 connector includes the same two LEDs with identical functionality.

## 1.1. Module Pinout



Pad	Name	Type	Description
9	SDA	Open Drain 3.3V (5V Tolerant)	SDA pin of the IS4310: Open drain, it requires pull-up.
10	SCL	Open Drain 3.3V (5V Tolerant)	SCL pin of the IS4310: Open drain, it requires pull-up.
11	DNC	Do Not Connect	This pad must be left floating.
12	I2CSPD	Analog Input 0 to 3.3V	I2CSPD pin of the IS4310: I2C-Serial Interface Speed Selection. <ul style="list-style-type: none"> <li>For 100kHz pull to GND.</li> <li>For 400kHz make a voltage divider of VDD/2 (1.65V).</li> <li>For 1MHz pull to 3.3V.</li> </ul> Attention: Voltage in this pin above 4V will damage the IS4310.
13	+5V	Module Power (Power In)	Power supply for the module.
1-8, 14-28	GND	Ground	Ground reference pad. GND pads are connected to the "Common" of the RS485 bus. GND pads are not connected to the shield of the connector and cable of the RS485 bus. GND pads are the return of the optional Power on the bus (PWR Pad).

### SCL and SDA Pads

#### I2C-Compatible Bus Interface Pads.

Both pads are open-drain and must be pulled up to 3.3V or 5V. The pull-up resistor value should be chosen based on the bus speed and capacitance. Typical values are 4.7kΩ for Standard Mode (100kbps) and 2.2kΩ for Fast Mode (400kbps) at both 3.3V and 5V.

### +5V Pad

#### Module Power Supply Pad.

This pad is the power input for the entire module. The module includes an LDO to regulate the voltage down to 3.3V for the IS4310 power supply.

5V must be supplied to this pad. Bypass capacitors are included on the module, no need to place them outside of the module.

### GND Pads

#### Module Ground.

The GND pads the 0V of the module.

These pads are also connected to the Common signal of the RS485 bus and therefore serve as the return path for the PWR Pad.

The common signal of the RS485 bus must be connected to protective ground, preferably at a single point. The recommended location is at the master device.

GND pads are not connected to the shield of the RS485 cables and connectors, as all shields should be connected to protective ground at a single point for the entire bus, ideally at the master device.

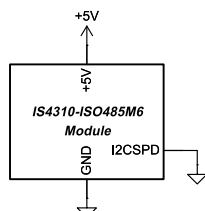
The module has multiple GND pads, all of which must be soldered to ensure proper mechanical attachment of the module to the main PCB. This is especially important when the RJ45 connectors are plugged in, as a significant amount of force is applied to the module. Failing to solder all pads or poor soldering can cause the module to detach from the main PCB.

## I2CSPD Pad

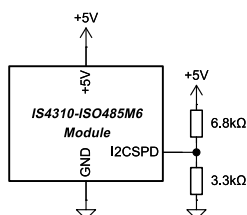
I2C-Serial Interface Speed Selection Pad.

This pad is directly connected to the pin I2CSPD of the IS4310. It configures the IS4310 internal I2C-Serial Interface timings and filters to properly work with the selected bus speed.

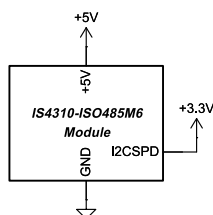
- For a **100kHz** setting, set the I2CSPD pad to GND.



- For a **400kHz** setting, set the I2CSPD to 1.65V using a voltage divider. This can be achieved using a 6.8kΩ and a 3.3kΩ resistors from the I2CSPD pad: one to 5V and the other to GND. Please note that applying a voltage higher than 3.3V to I2CSPD pad would permanently damage the IS4310 IC.



- For a **1000MHz** setting, set the I2CSPD pad to 3.3V. Please note that pulling I2CSPD to 5V would permanently damage the IS4310 IC.



### Important Remark:

A mismatch between the configured I2C speed and the actual operating I2C speed (e.g., configuring the bus for 100kHz but operating at 1MHz) can lead to an inconsistent state where some I2C messages are processed while others are not.

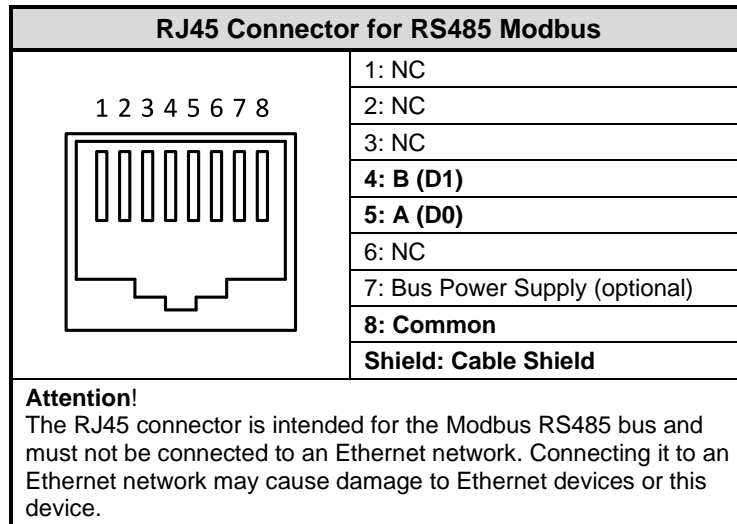
Ensure a proper match between the actual operating speed and the configured speed at the I2CSPD pad: If your bus works at 100kHz, ensure the I2CSPD pad is tied to VSS. If it works at 400kHz ensure the pad is at 1.65V. If it works at 1000MHz, ensure the pad is at 3.3V.

## 1.2. RJ45 Connectors

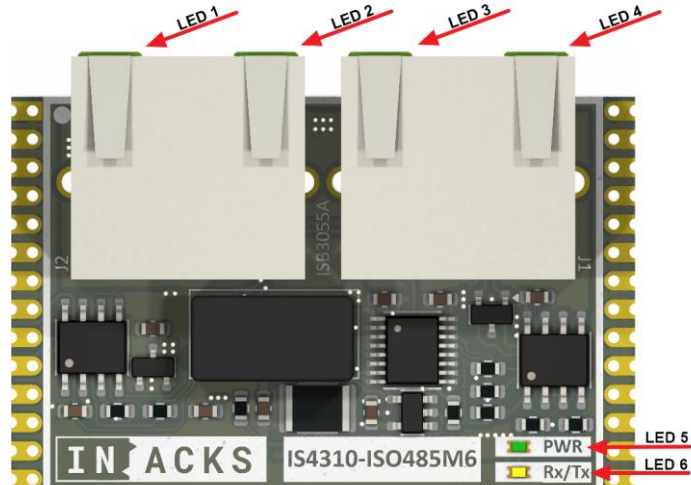
Typical Modbus Serial Line connectors include Screw Terminals, RJ45, and D-Sub 9-pin (commonly known as DB9), among others. The device-side connector must be female, while the cable-side connector must be male.

When selecting a RJ45 cable, ensure it has shield and make sure to connect the cable shield to the connector shield to ensure proper electrical continuity across all cable shields on the bus. Additionally, when using a Powered Modbus Serial Line, ensure the maximum cable current rating is not exceeded.

Do not connect the shield to the Common. All cable shields should be connected to Common and Protective Ground at a single point for the entire bus, ideally at the master device.



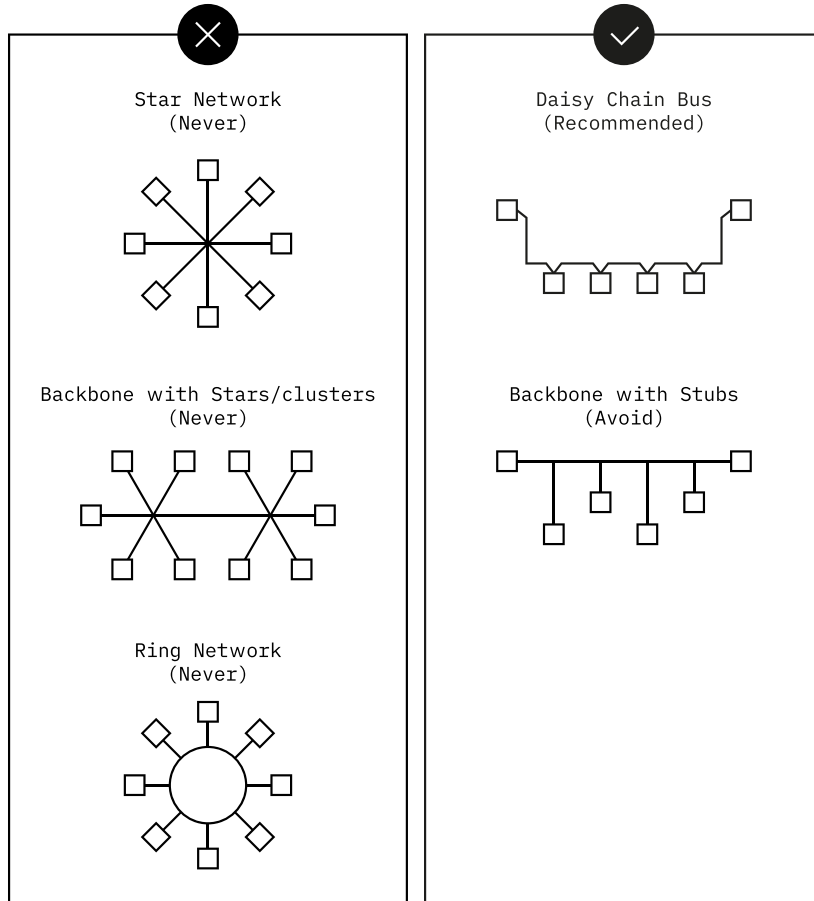
## 1.3. LEDs

LED Location	LED #	Description
	1, 3, 5	<p><b>Power Indicator</b> - <u>Green</u>: Module On - <u>Off</u>: Module Off</p>
	2, 4, 6	<p><b>Data Indicator</b> - <u>Yellow Flashing</u>: Transmitting or Receiving Data - <u>Off</u>: No Data</p>

## 2. Bus Recommendations

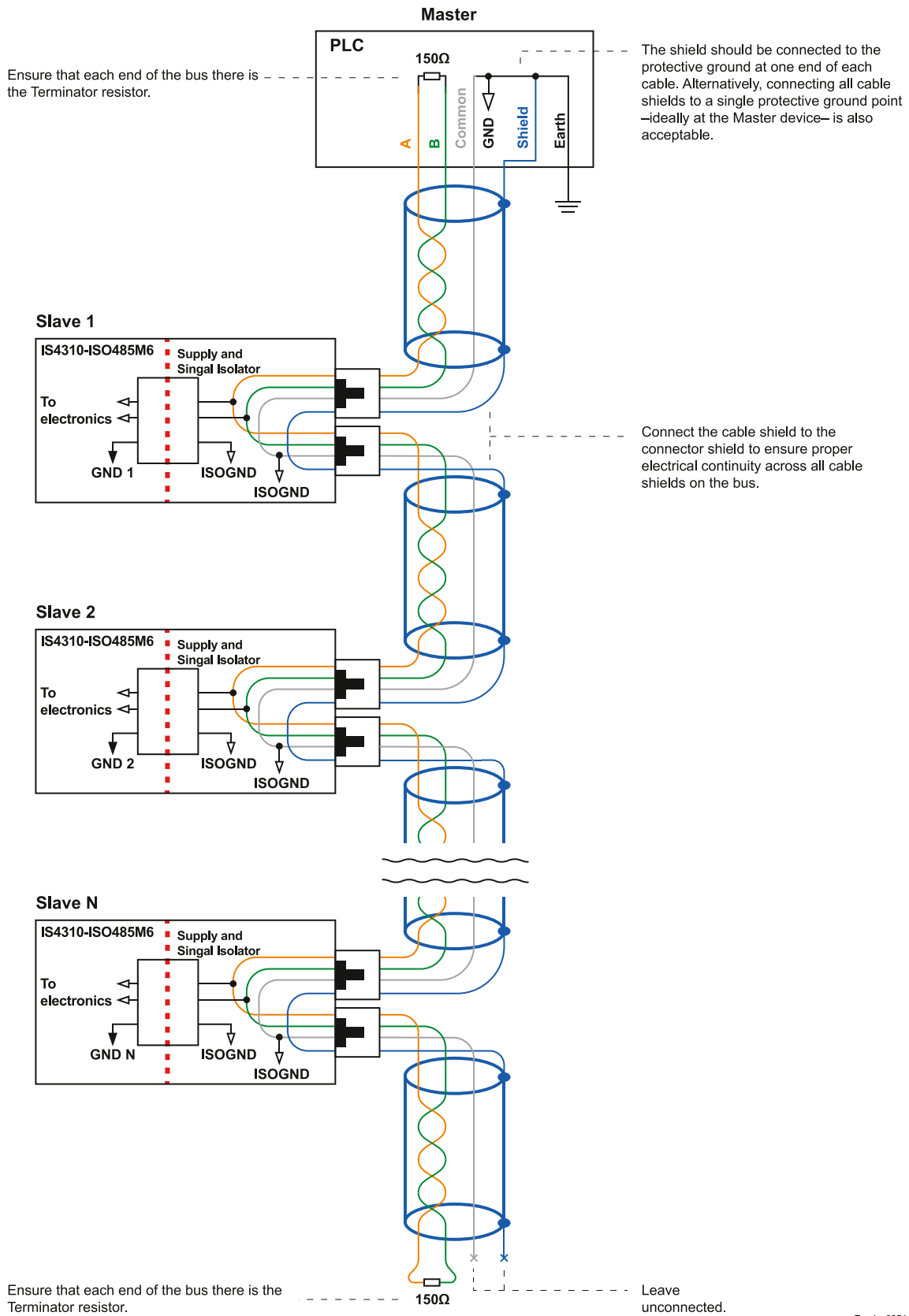
### 2.1. Topology

In an RS485 setup without a repeater, a single trunk cable runs through the system, with devices connected in a daisy-chain manner. Short cables derivations (stubs) are also allowed but not recommended. Keep the derivation distance as short as possible. Other topologies are not allowed.



Evad1rw0043z2

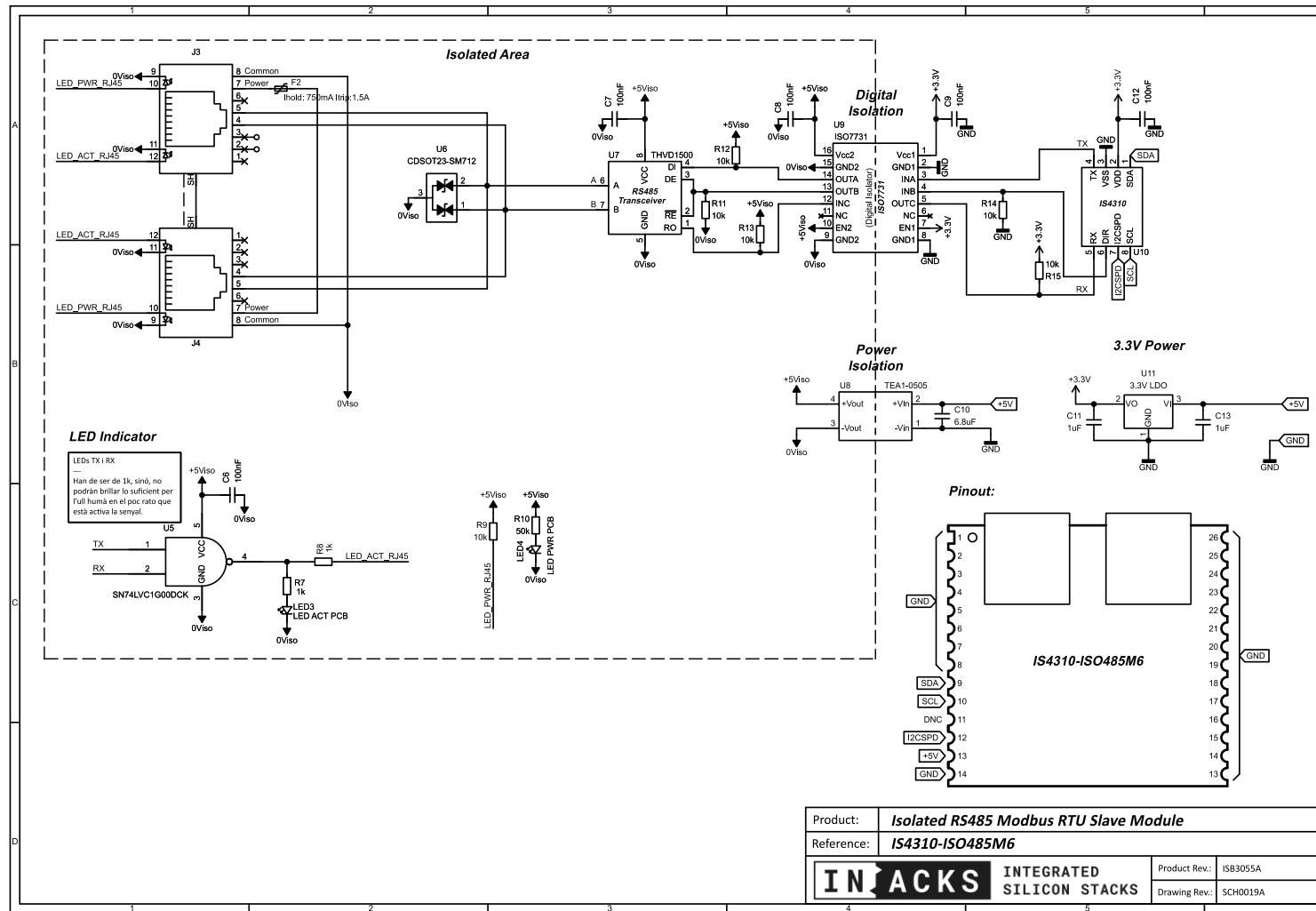
## 2.2. Cable Wiring



Evadrw0054r0



## 3. Schematic



## 4. Mechanical Dimensions

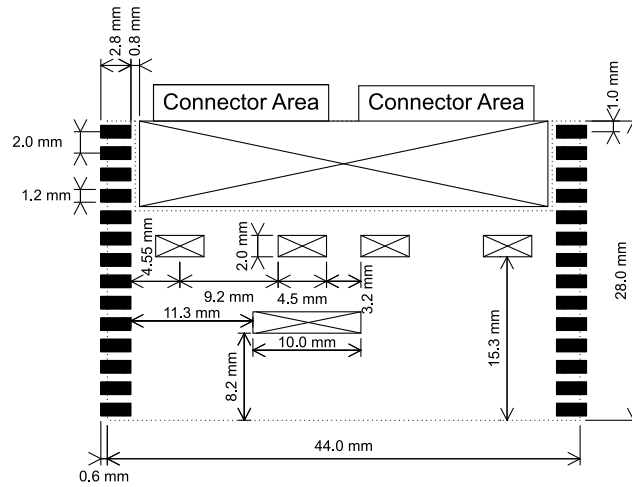
### M6 Package

IN ACKS  
INTEGRATED SILICON STACKS

**Units**  
Millimeters

**Notes**  
This drawing is for general information only.  
Not to scale.

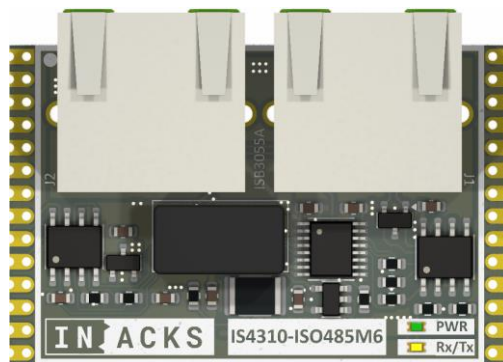
### M6 Recommended Footprint



**Legend:**

- Copper
- No-PCB Area
- Silkscreen

SCH0021A



**Units**  
Millimeters

**Notes**  
This drawing is for general information only.  
Not to scale.

## Content

Presentation.....	1	4. Mechanical Dimensions.....	10
Product Selection Guide .....	2	Content.....	12
1. Description .....	3	Appendix .....	13
1.1. Module Pinout.....	4	Revision History .....	13
1.2. RJ45 Connectors .....	6	Documentation Feedback.....	13
1.3. LEDs.....	6	Sales Contact.....	13
2. Bus Recommendations .....	7	Customization .....	13
2.1. Topology.....	7	Trademarks.....	13
3. Schematic .....	9	Disclaimer .....	14

## Appendix

### Revision History

---

#### Document Revision

Date	Revision Code	Description
February 2025	ISDOC127A	Initial Release
February 2025	ISDOC127B	Added "Cable Wiring" diagram.

#### Module Revision

Date	Revision Code	Description
February 2025	ISB3055A	Initial Release

### Documentation Feedback

---

Feedback and error reporting on this document are very much appreciated.

[feedback@inacks.com](mailto:feedback@inacks.com)

### Sales Contact

---

For special order requirements, large volume orders, or scheduled orders, please contact our sales department at:

[sales@inacks.com](mailto:sales@inacks.com)

### Customization

---

INACKS can develop new products or customize existing ones to meet specific client needs. Please contact our engineering department at:

[engineering@inacks.com](mailto:engineering@inacks.com)

### Trademarks

---

All referenced brands, product names, service names and trademarks are the property of their respective owners.

## Disclaimer

Limited warranty and liability — Information in this document is believed to be accurate and reliable. However, INACKS does not give any representations or warranties, expressed or implied, as to the accuracy or completeness of such information and shall have no liability for the consequences of use of such information. INACKS takes no responsibility for the content in this document if provided by an information source outside of INACKS.

In no event shall INACKS be liable for any indirect, incidental, punitive, special or consequential damages (including - without limitation - lost profits, lost savings, business interruption, costs related to the removal or replacement of any products or rework charges) whether or not such damages are based on tort (including negligence), warranty, breach of contract or any other legal theory.

Notwithstanding any damages that customer might incur for any reason whatsoever, INACKS's aggregate and cumulative liability towards customer for the products described herein shall be limited in accordance with the Terms and conditions of commercial sale of INACKS.

Right to make changes — INACKS reserves the right to make changes to information published in this document, including without limitation specifications and product descriptions, at any time and without notice. This document supersedes and replaces all information supplied prior to the publication hereof.

Suitability for use — INACKS products are not designed, authorized or warranted to be suitable for use in life support, life-critical or safety-critical systems or equipment, nor in applications where failure or malfunction of an INACKS product can reasonably be expected to result in personal injury, death or severe property or environmental damage. INACKS and its suppliers accept no liability for inclusion and/or use of INACKS products in such equipment or applications and therefore such inclusion and/or use is at the customer's own risk.

Quick reference data — The Quick reference data is an extract of the product data given in the Limiting values and Characteristics sections of this document, and as such is not complete, exhaustive or legally binding.

Applications — Applications that are described herein for any of these products are for illustrative purposes only. INACKS makes no representation or warranty that such applications will be suitable for the specified use without further testing or modification.

Customers are responsible for the design and operation of their applications and products using INACKS products, and INACKS accepts no liability for any assistance with applications or customer product design. It is customer's sole responsibility to determine whether the INACKS product is suitable and fit for the customer's applications and products planned, as well as for the planned application and use of customer's third party customer(s). Customers should provide appropriate design and operating safeguards to minimize the risks associated with their applications and products.

INACKS does not accept any liability related to any default, damage, costs or problem which is based on any weakness or default in the customer's applications or products, or the application or use by customer's third party customer(s). Customer is responsible for doing all necessary testing for the customer's applications and products using INACKS products in order to avoid a default of the applications and the products or of the application or use by customer's third party customer(s). INACKS does not accept any liability in this respect.

Limiting values — Stress above one or more limiting values (as defined in the Absolute Maximum Ratings System of IEC 60134) will cause permanent damage to the device. Limiting values are stress ratings only and (proper) operation of the device at these or any other conditions above those given in the Recommended operating conditions section (if present) or the Characteristics sections of this document is not warranted. Constant or repeated exposure to limiting values will permanently and irreversibly affect the quality and reliability of the device.

Terms and conditions of commercial sale — INACKS products are sold subject to the general terms and conditions of commercial sale, as published at <http://www.inacks.com/comercialsale/terms>, unless otherwise agreed in a valid written individual agreement. In case an individual agreement is concluded only the terms and conditions of the respective agreement shall apply. INACKS hereby expressly objects to applying the customer's general terms and conditions with regard to the purchase of INACKS products by customer.

No offer to sell or license — Nothing in this document may be interpreted or construed as an offer to sell products that is open for acceptance or the grant, conveyance or implication of any license under any copyrights, patents or other industrial or intellectual property rights.

Export control — This document as well as the item(s) described herein may be subject to export control regulations. Export might require a prior authorization from competent authorities.

Non-automotive qualified products — This INACKS product is not suitable for automotive use. It is neither qualified nor tested in accordance with automotive testing or application requirements. INACKS accepts no liability for inclusion and/or use of non-automotive qualified products in automotive equipment or applications.

Protocol Guidance Disclaimer: The information provided herein regarding the protocol is intended for guidance purposes only. While INACKS strive to provide accurate and up-to-date information, this content should not be considered a substitute for official protocol documentation. It is the responsibility of the client to consult and adhere to the official protocol documentation when designing or implementing systems based on this protocol.

INACKS make no representations or warranties, either expressed or implied, as to the accuracy, completeness, or reliability of the information contained in this document. INACKS shall not be held liable for any errors, omissions, or inaccuracies in the information or for any user's reliance on the information.

The client is solely responsible for verifying the suitability and compliance of the provided information with the official protocol standards and for ensuring that their implementation or usage of the protocol meets all required specifications and regulations. Any reliance on the information provided is strictly at the user's own risk.

Certification and Compliance Disclaimer: Please be advised that the product described herein has not been certified by any competent authority or organization responsible for protocol standards. INACKS do not guarantee that the chip meets any specific protocol compliance or certification standards.

It is the responsibility of the client to ensure that the final product incorporating this product is tested and certified according to the relevant protocol standards before use or commercialization. The certification process may result in the product passing or failing to meet these standards, and the outcome of such certification tests is beyond our control.

INACKS disclaim any liability for non-compliance with protocol standards and certification failures. The client acknowledges and agrees that they bear sole responsibility for any legal, compliance, or technical issues that arise due to the use of this product in their products, including but not limited to the acquisition of necessary protocol certifications.