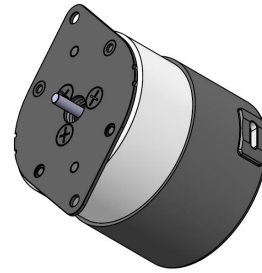


KAYSER

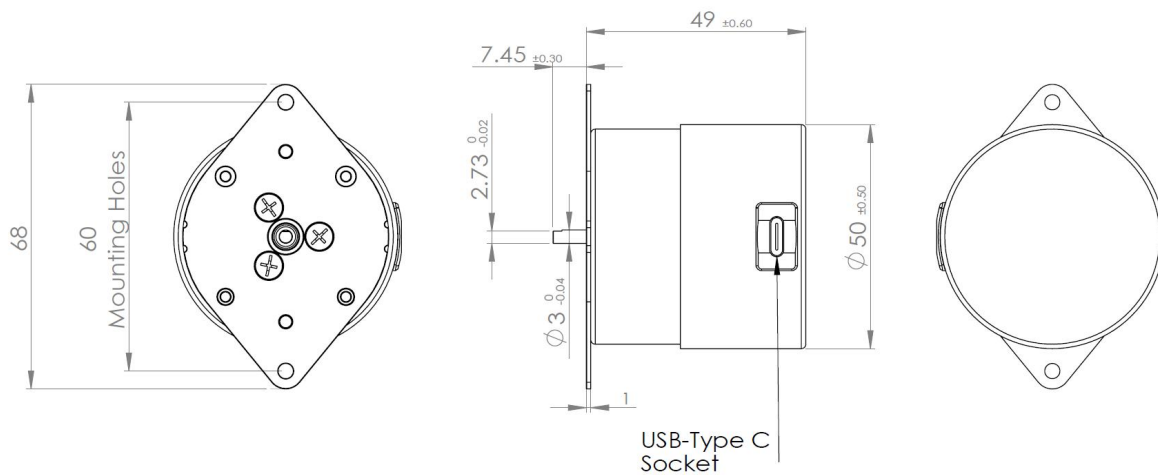
- Model : PM29
 Power Consumption: 10 W
 Weight : 148g (Approx.)
 Characteristic:
 - Water resistance: IPX5
 - Type-C Plug for power input
 - Smart motor control APP
 - Blue Tooth 5.0
 - Wireless programmable profile setting



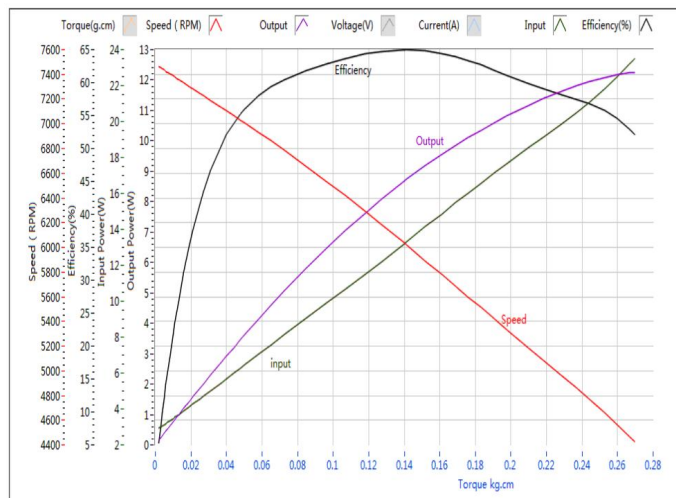
Typical Application
 Intelligence toys, Home Appliance, Mini Air Fresher, small Fan

Model	Voltage		Max. Output Power (W)	Output		
	Operating Range (VDC)	Rated (VDC)		Starting Torque (mN.m)	No load Speed (rpm)	Max Starting Current (A)
PM29	5-12	5	10	26	7450	1

Outline Drawing: (unit Millimeter)



Performance Curve:



Notice: Data in this typical specification sheet are for reference. Voltage, rated torque, speed, current, power, shaft extension feature, dimension can be changed to meet customer specific requirement.