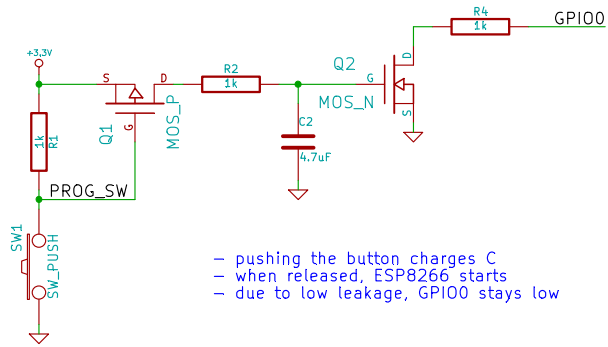
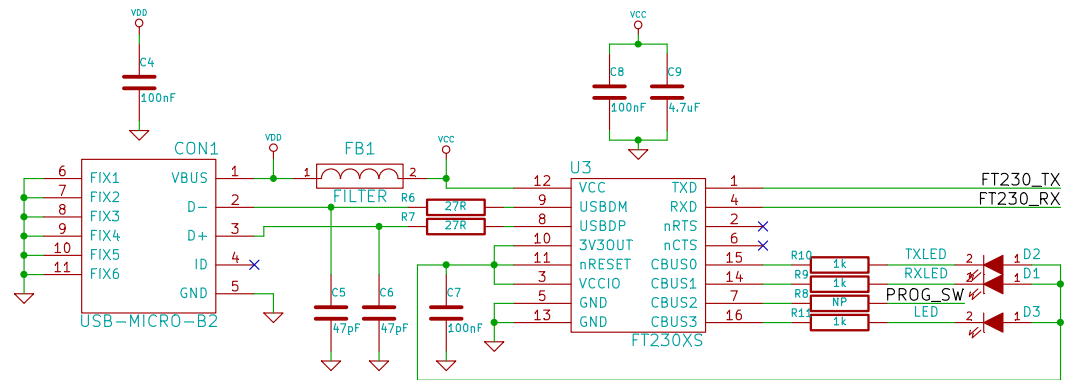


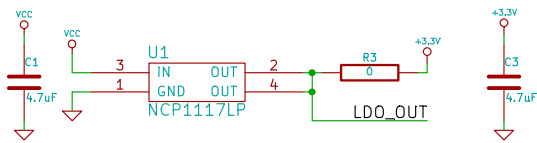
BOOTLOADER LOGIC



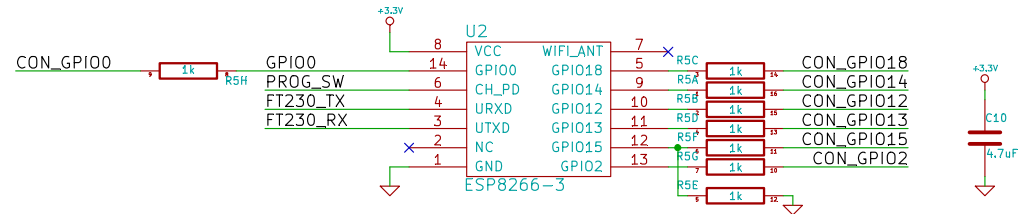
USB->UART CONVERSION



LDO



ESP8266-3 MODULE



BREAKOUT

