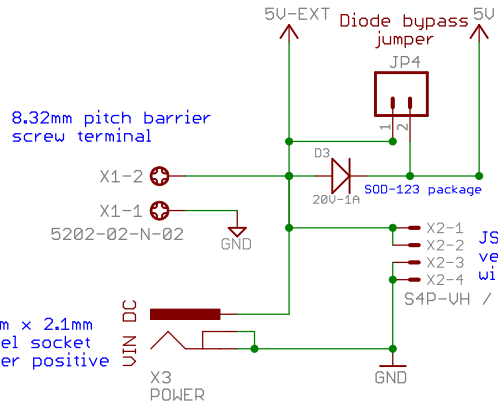
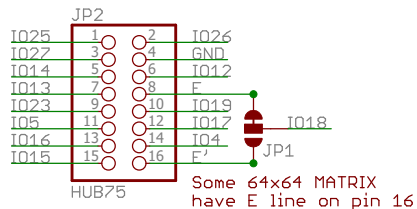
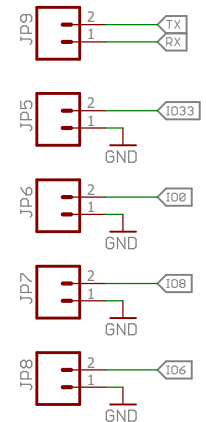


### HUB75E Connector

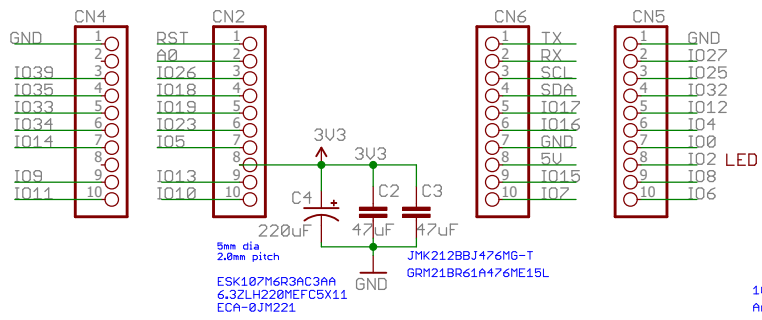


Diode bypass jumper is used when you need to power panel thru USB of the ESP32 5V out pin. Take care that USB can not deliver much power, so use for testing with small panels with low brightness. It's for advanced user, in majority case you need to provide 5V power with external power DC jack or with barrier X1 or X2

### GPIO Connectors

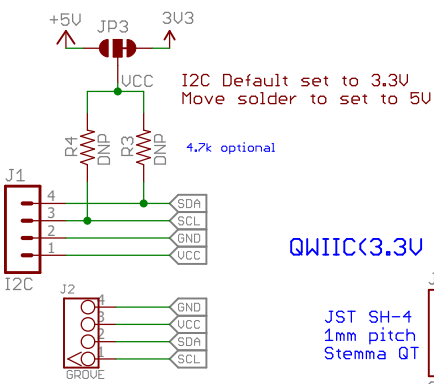


### ESP32 D1 Mini NodeMCU

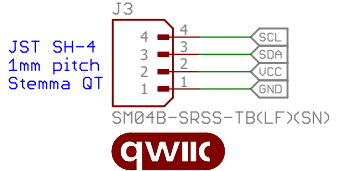


C1, C2, C3 are footprint to add capacitor to poor 3.3V Uout of esp32 on board regulator. This one is not output filtered enough resulting sometimes with brownout reset loop. Now you can plug radial or 1 (or 2) SMD 0805 in //

### I2C Connectors



### QWIC<3.3V only> or Stemma



### Adapted by Robot Power LLC

ESP32 Matrix Shield	
File: WeMos-Matrix-Shield-DMA-1.9a	
2/19/2025 4:51 PM	Charles-Henri Hallard
Sheet: 1/1	Rev:1.9