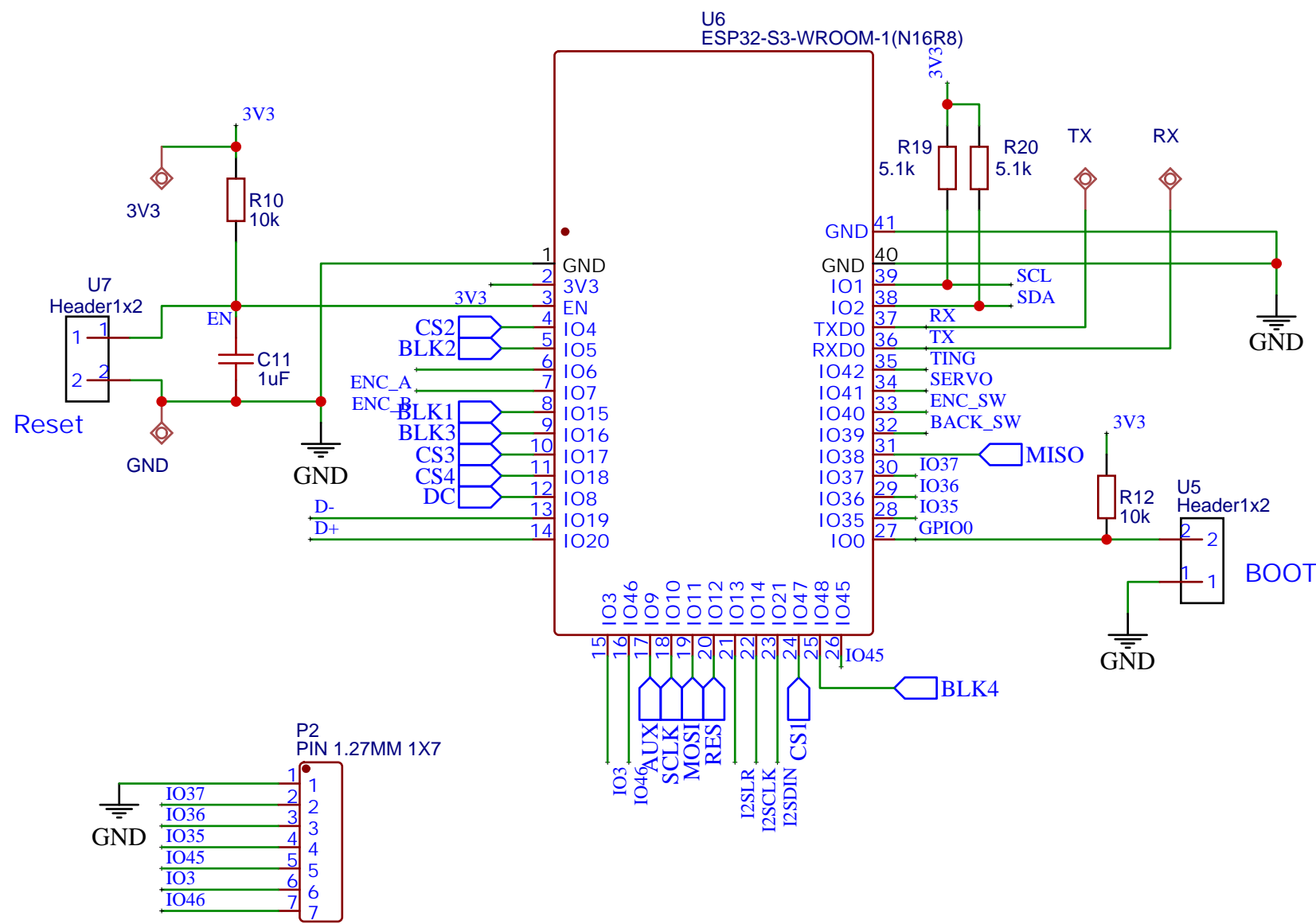
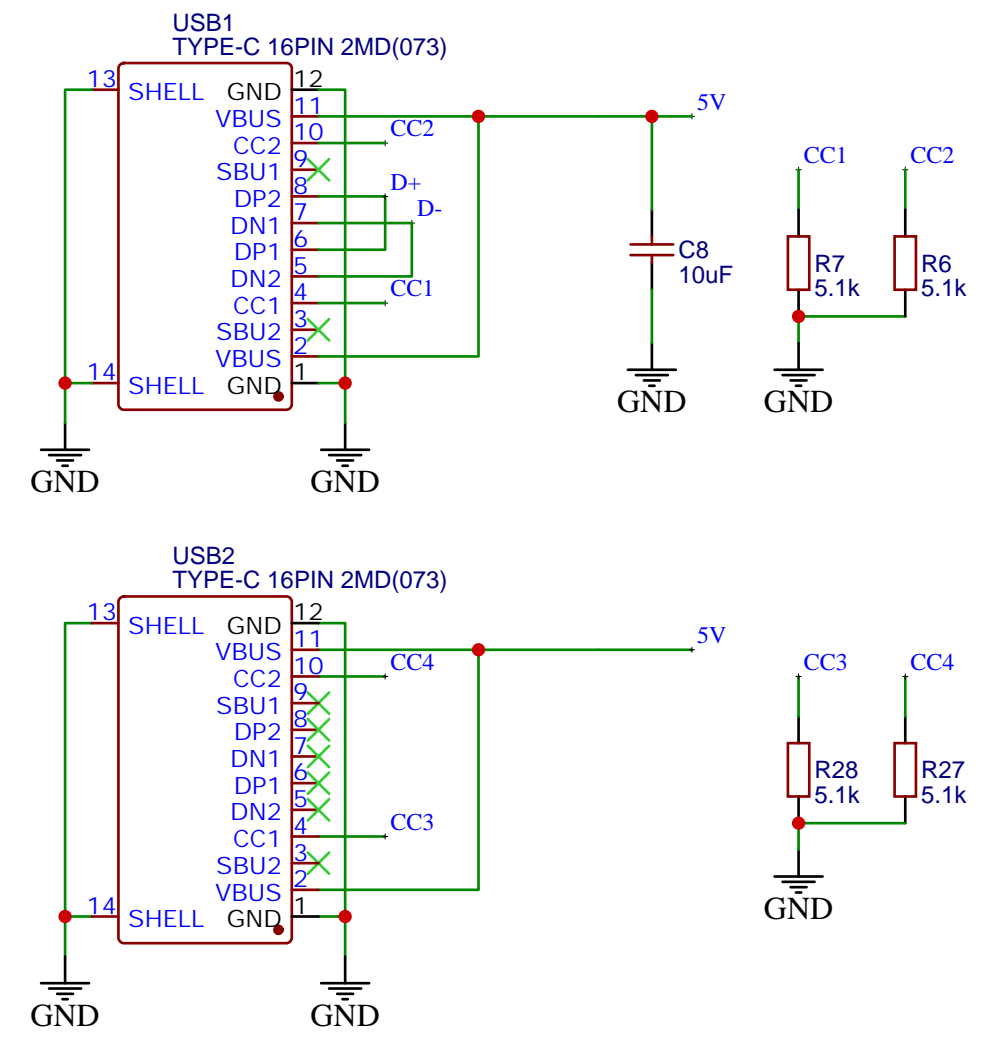


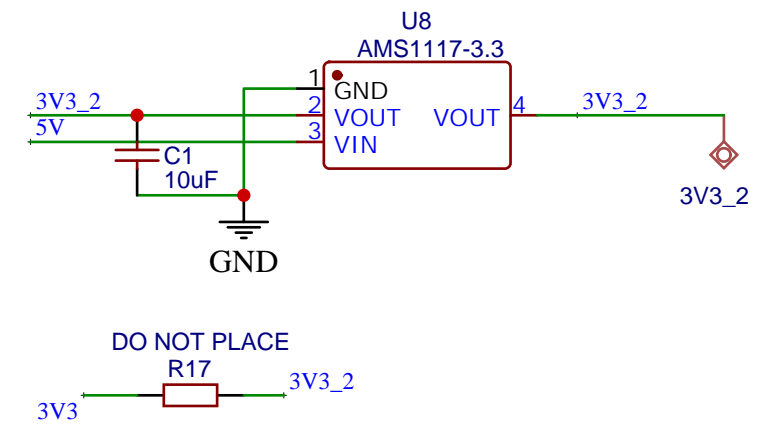
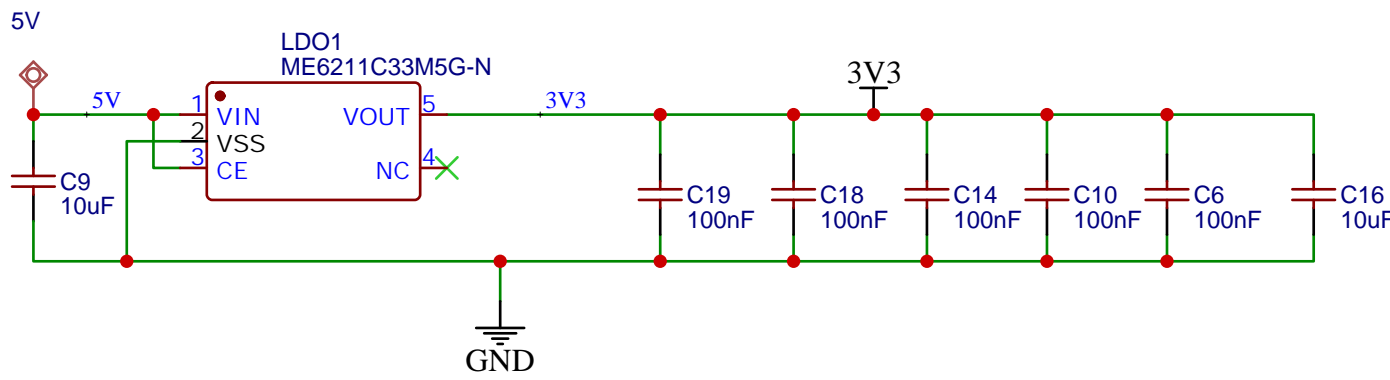
MCU



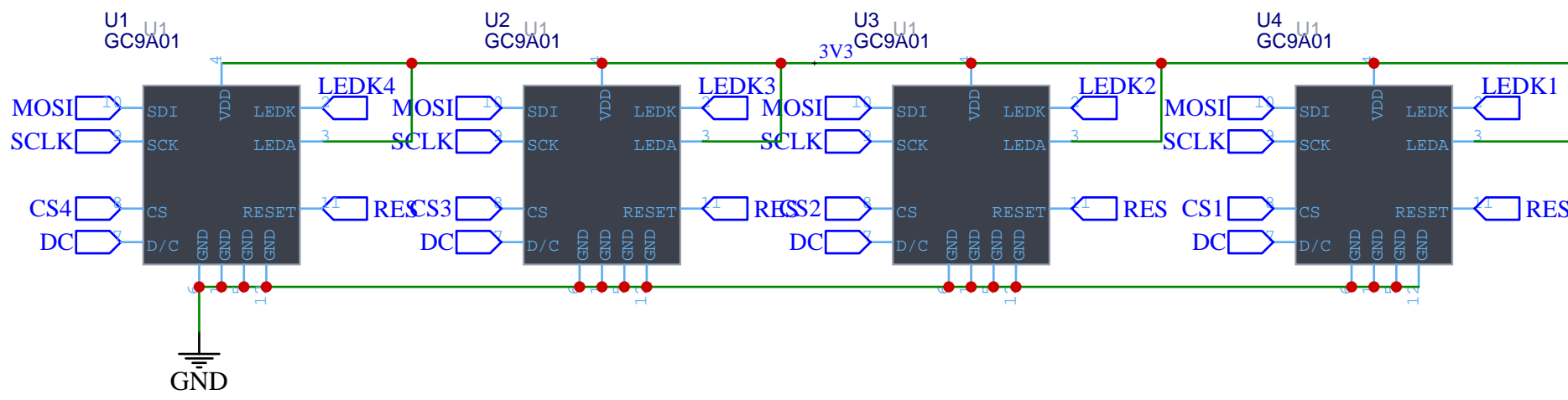
USB-C



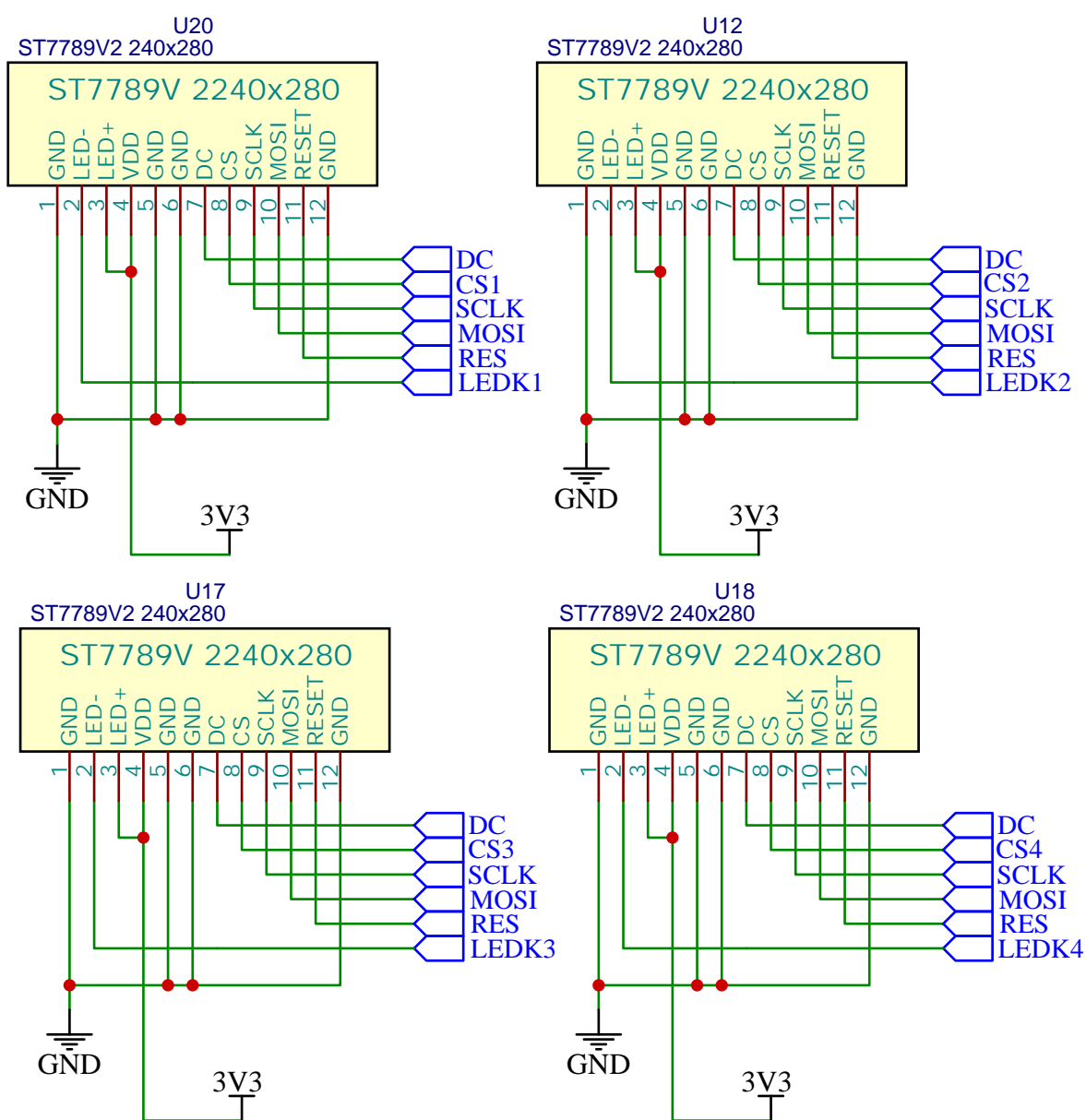
Power



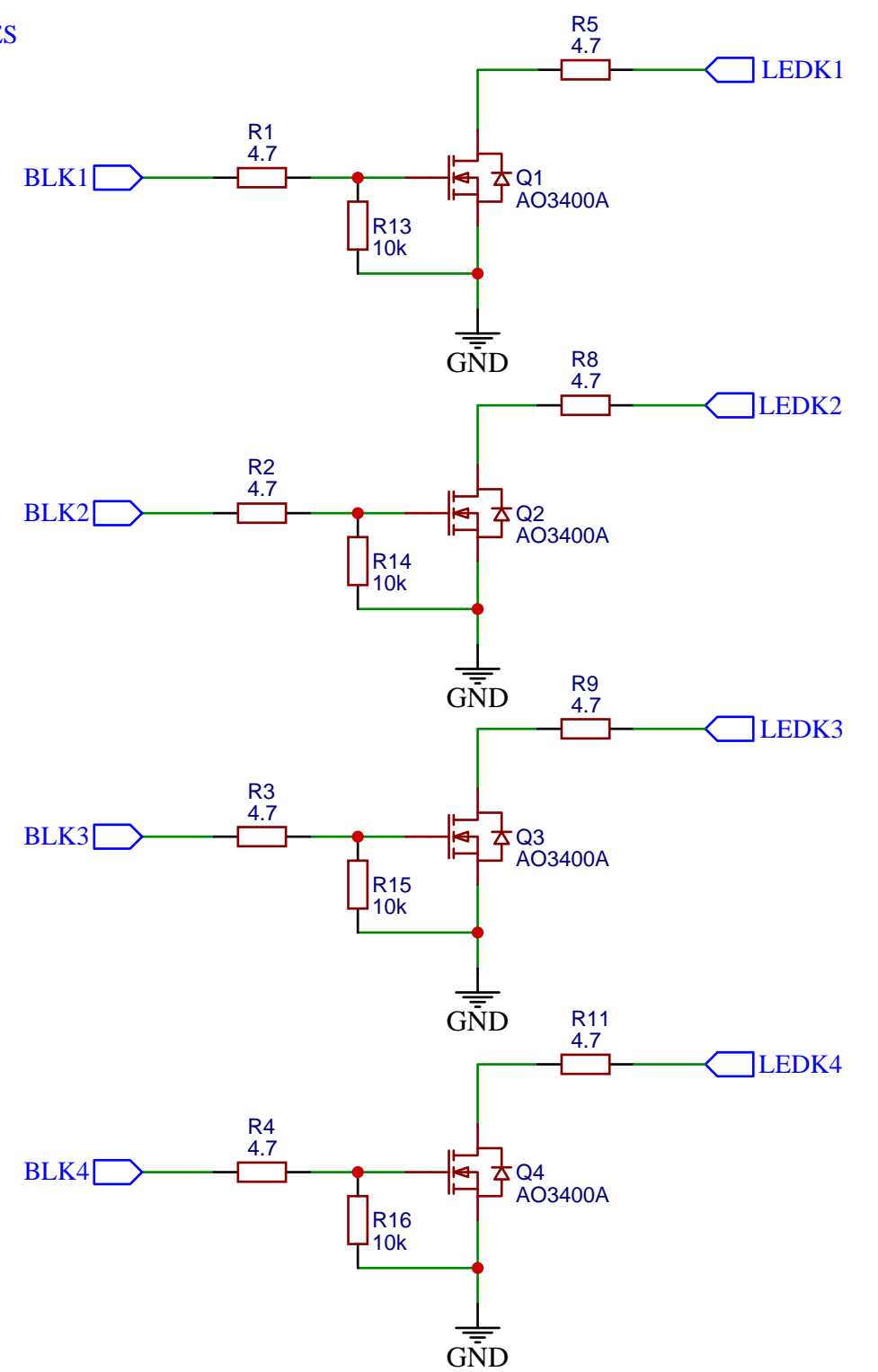
1.28" round TFT



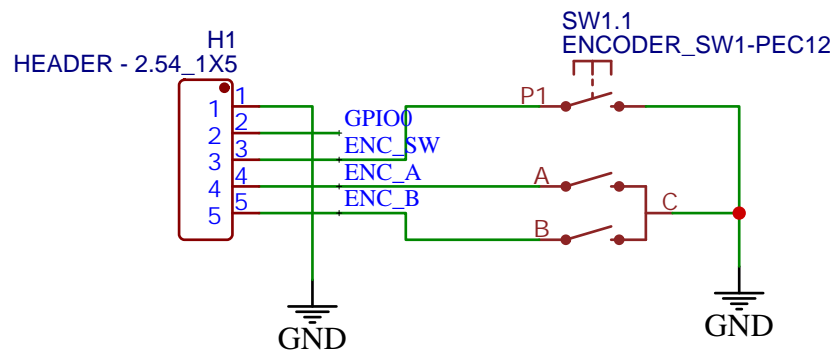
1.69" TFT 240x280



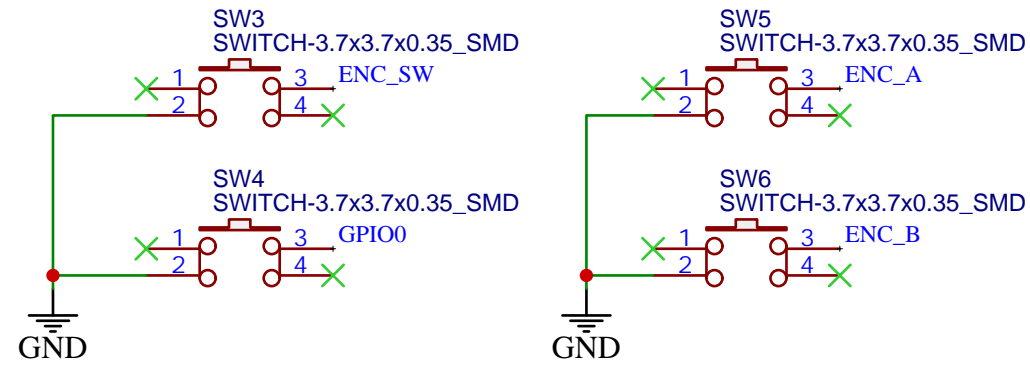
Backlight drivers



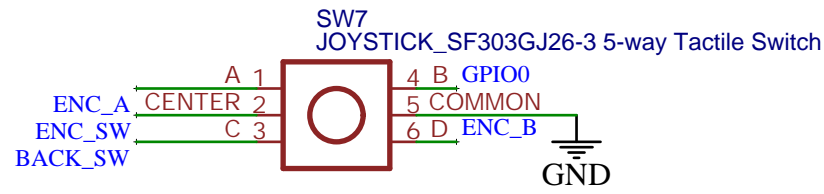
Rotary encoder



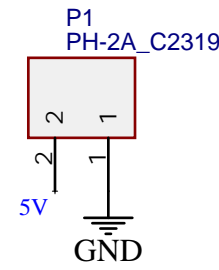
4 button switches



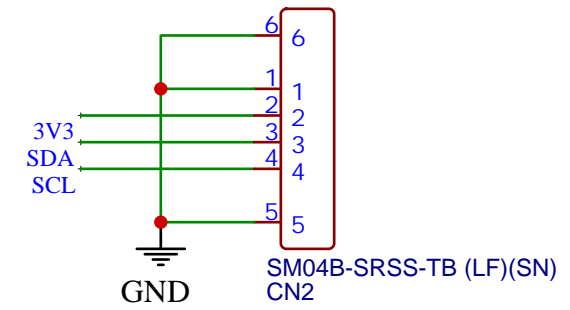
5-way switch



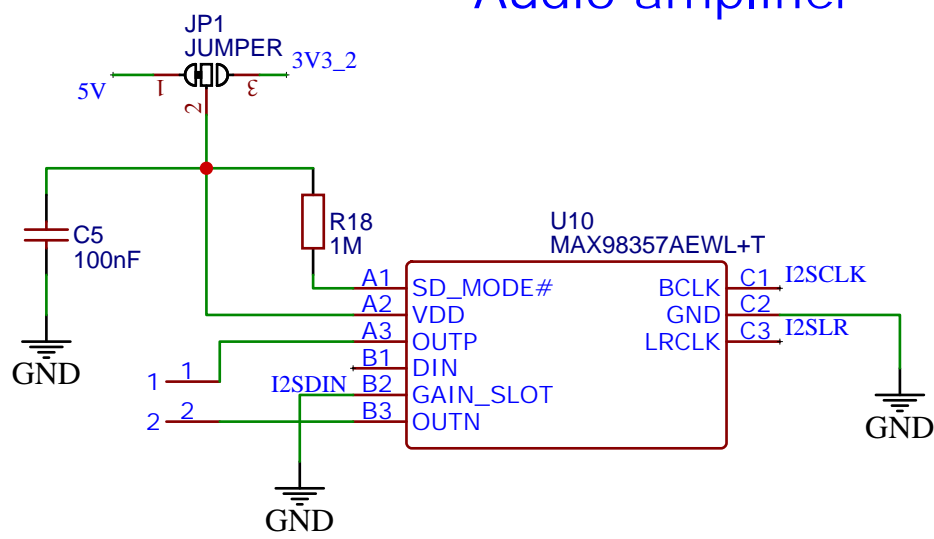
Power input connector



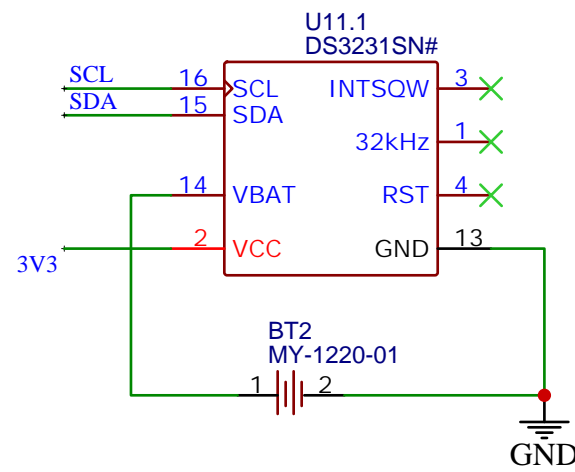
Qwiic connector



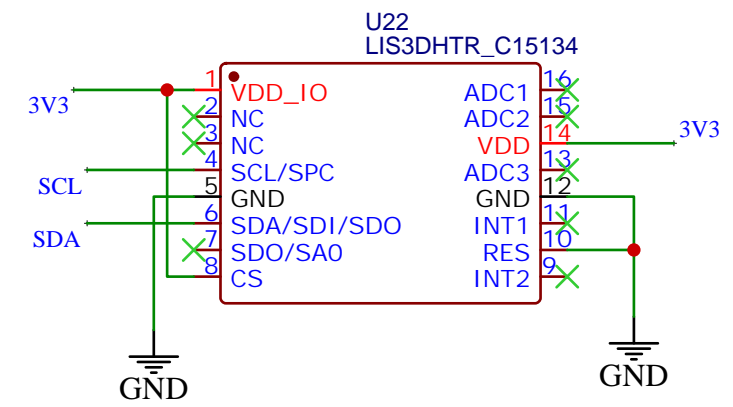
Audio amplifier



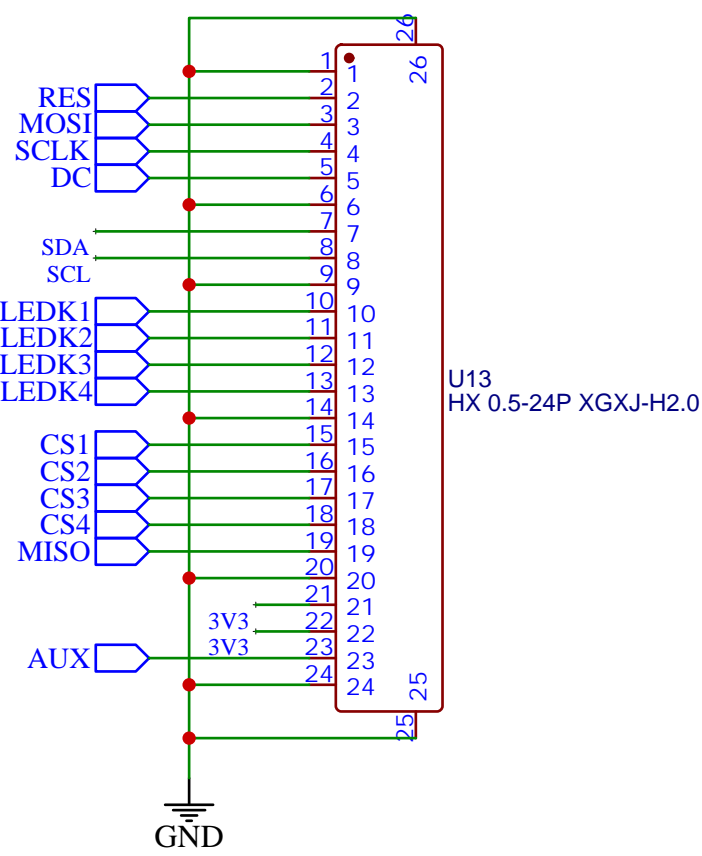
Real Time Clock



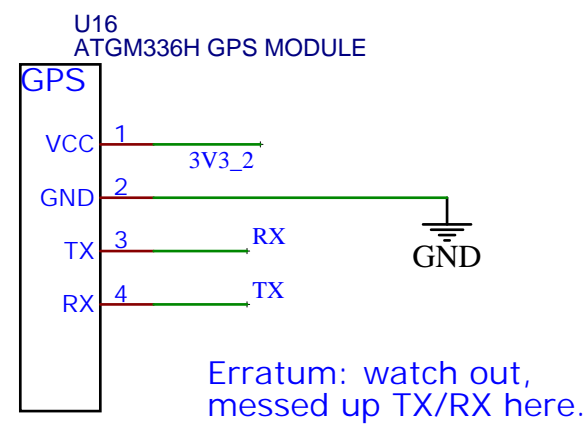
Accelerometer



Expansion port



GPS header



JP1:
choose between 3V3 or 5V for audio amp.
5V is default.
Note: scrape away copper between 5V and middle pin if you want to set to 3V3

JP2:
choose between 3V3 or 5V for servo VCC.
5V is default.
Note: scrape away copper between 5V and middle pin if you want to set to 3V3

JP3:
enable/disable one shot trigger circuit
Note: scrape away copper if you want to change setting

One shot trigger

(not populated by default)

