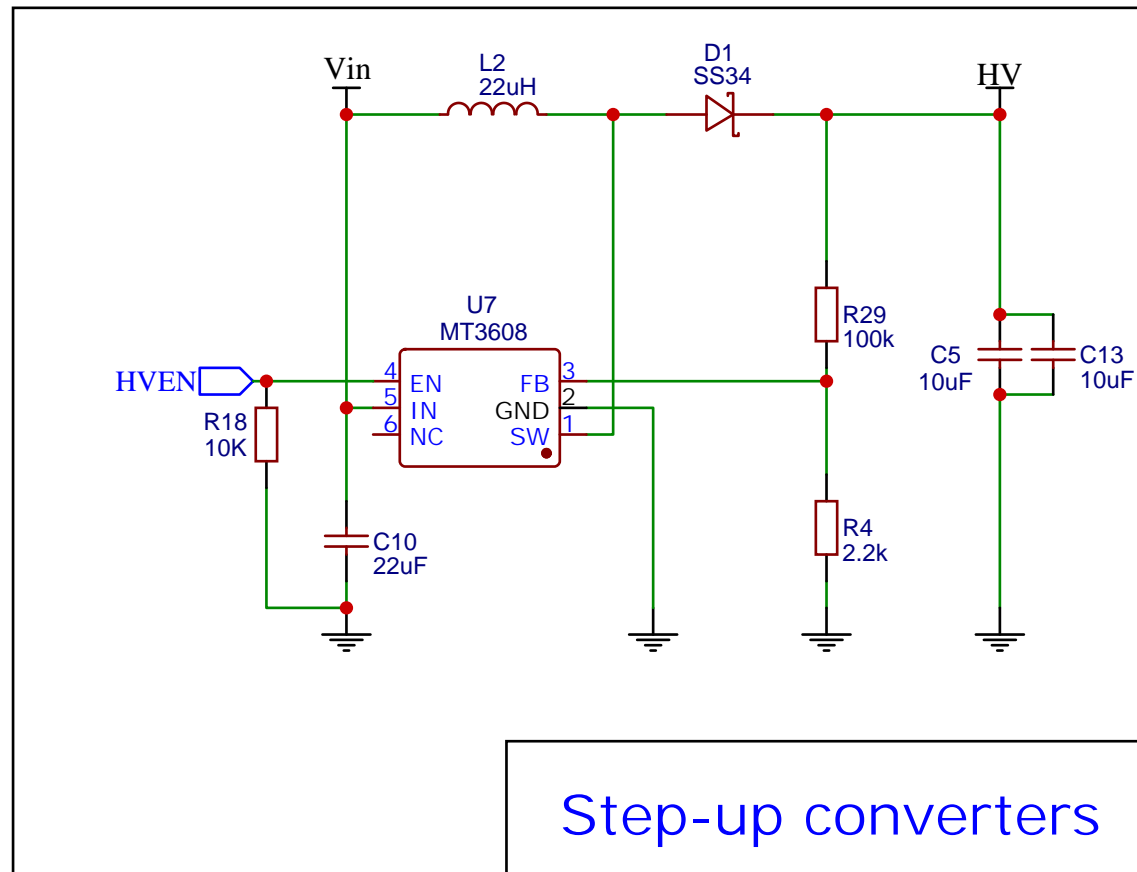
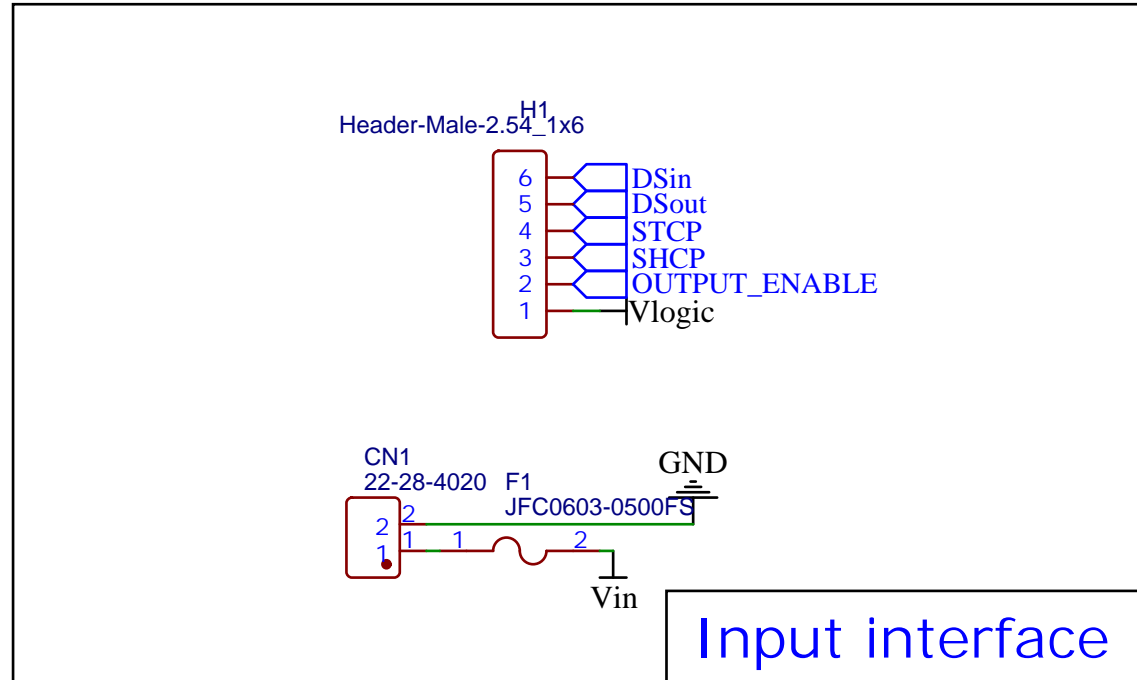


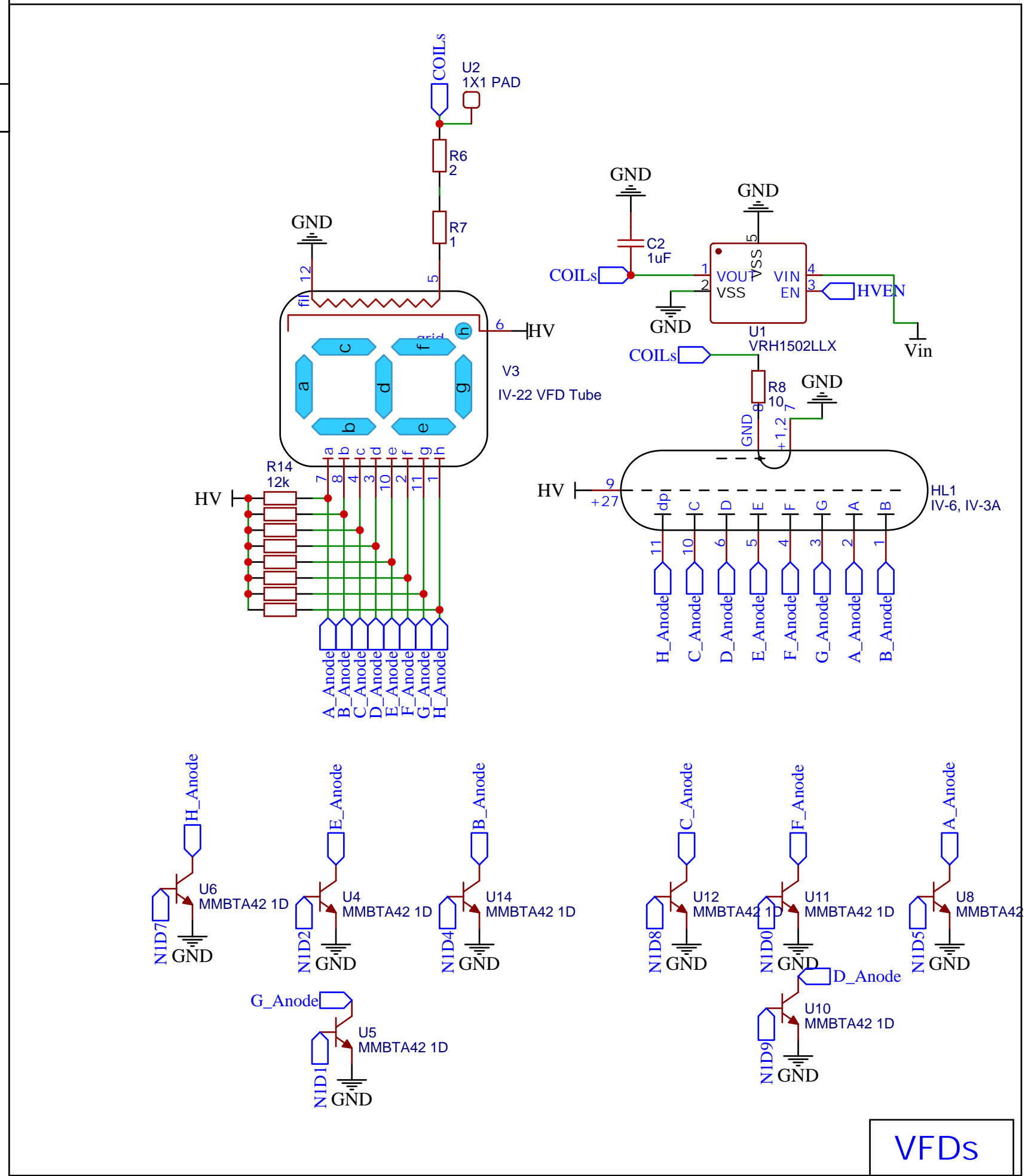
Shift registers



Step-up converters



Input interface



VFDs