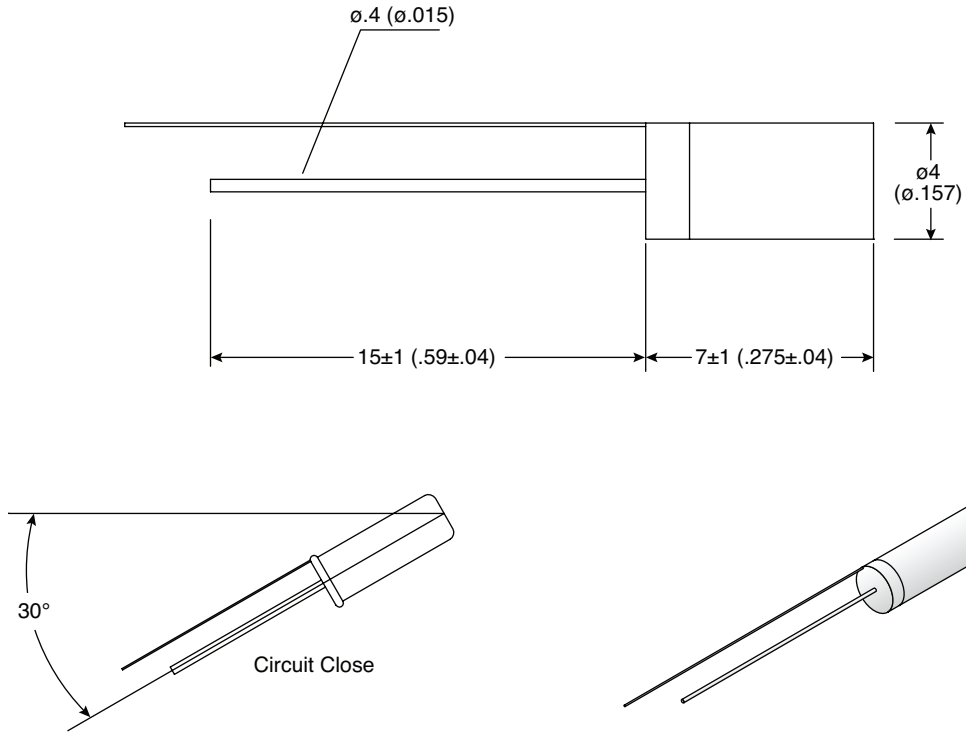


Dimensions: mm (In.)



Electrical Specifications:

- Max. Switch Rating: <6mA/24VDC
- Electrical Life Endurance: >50,000 cycles
- Contact Resistance: 2Ω max. (measured at 45° tilt)

Mechanical Specifications:

- Differential Angle: 30° max.
- Operating Temperature: 0°~+100°C

Soldering Process:

- Temperature: 250°C, 3 seconds
(Can be soldered by hand only.)

Materials:

- Switch Housing: Copper coated with gold, Thickness: 10m
- Terminal: Brass coated with gold
- Rolling Ball: Steel coated with gold

Note:

- RoHS Compliant

Rolling-Ball Tilt Switch
107-2007-EV



Mouser Electronics

Authorized Distributor

Click to View Pricing, Inventory, Delivery & Lifecycle Information:

[Mountain Switch:](#)

[107-2007-EV](#)