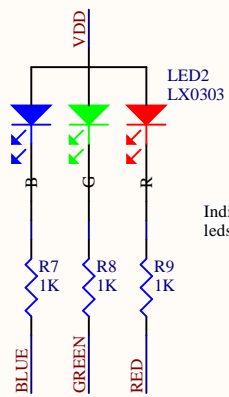
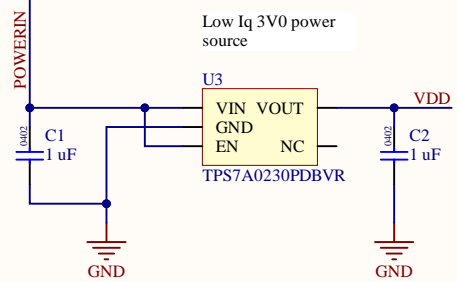
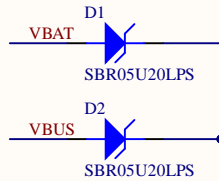
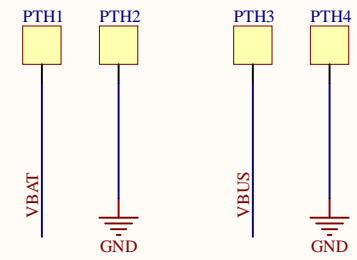


Dual FET control of battery connection to MCU ADC to keep power usage low. Total resistance in divider should be < ~50 kOhm.

Use dual FET to manage power to QSPI flash since maximum current draw on erase or 133 MHz read is 25 mA, more than the 20 mA that can be supplied by a GPIO.



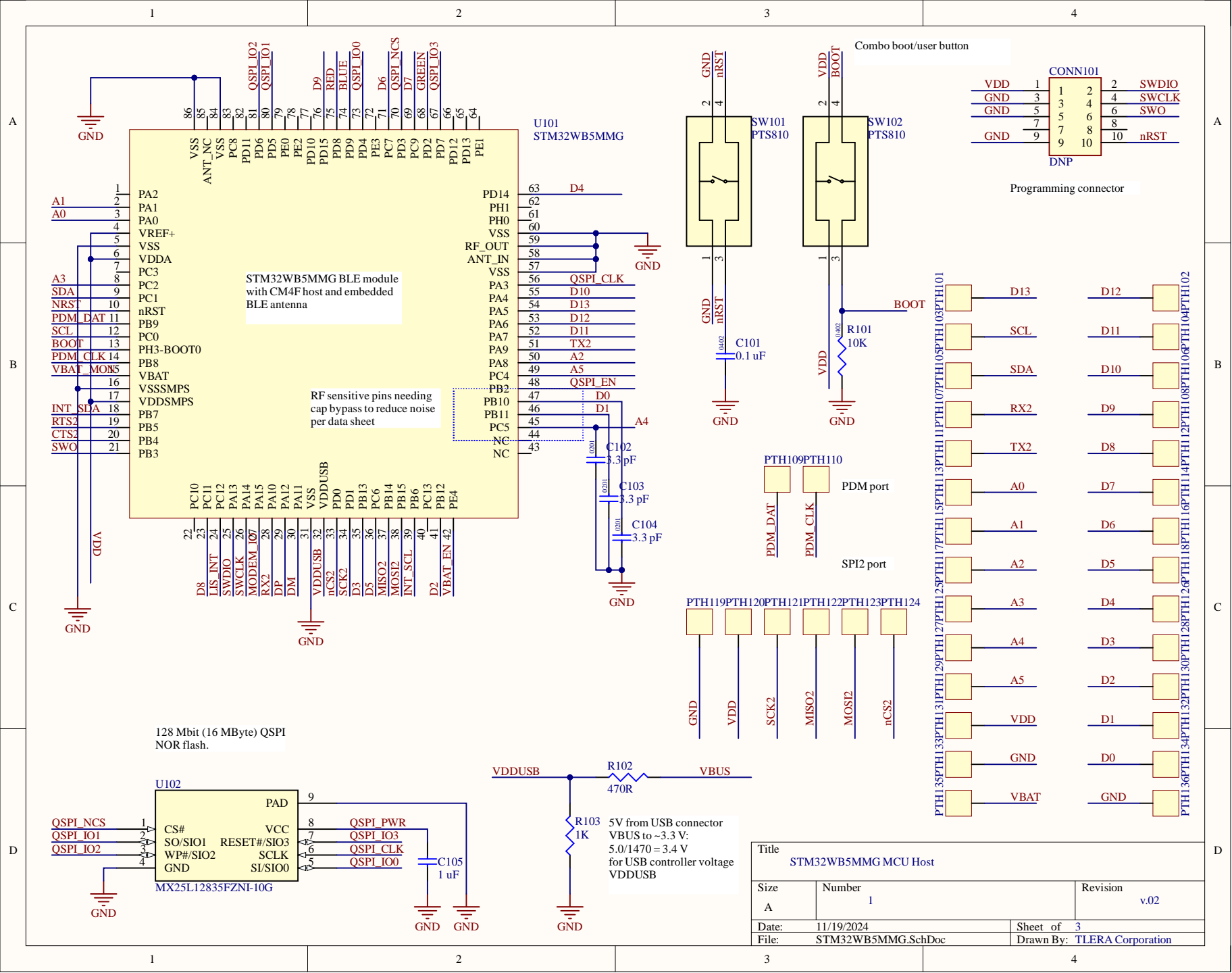
Indicator rgb leds active



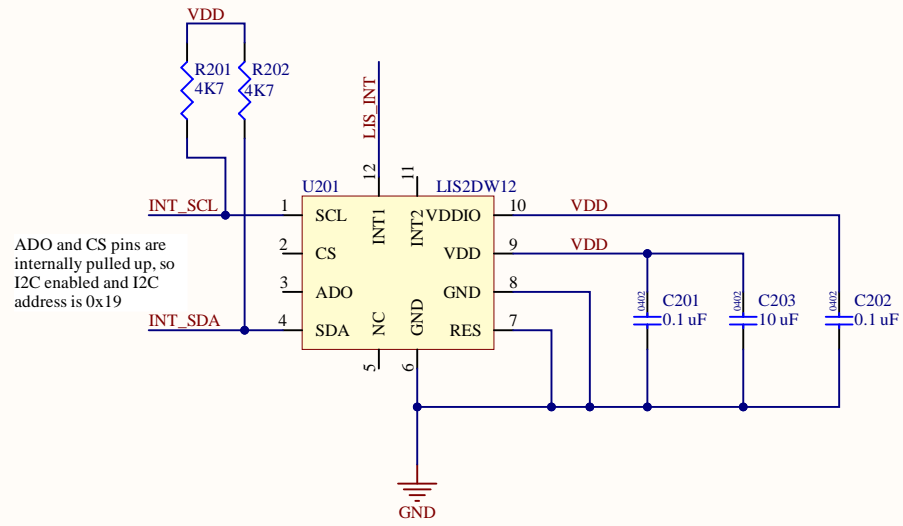
LiPo battery input

5V USB output

Title Power System		
Size A	Number 3	Revision v.02
Date: 11/19/2024	Sheet of 3	
File: Power.SchDoc	Drawn By: TLERA Corporation	



Title		
STM32WB5MMG MCU Host		
Size	Number	Revision
A	1	v.02
Date:	11/19/2024	Sheet of 3
File:	STM32WB5MMG.SchDoc	Drawn By: TLERA Corporation



ADO and CS pins are internally pulled up, so I2C enabled and I2C address is 0x19

Low-power wake-on-motion accelerometer

Title		
Size	Number	Revision
A		
Date:	11/19/2024	Sheet of
File:	InternalI2C.SchDoc	Drawn By: