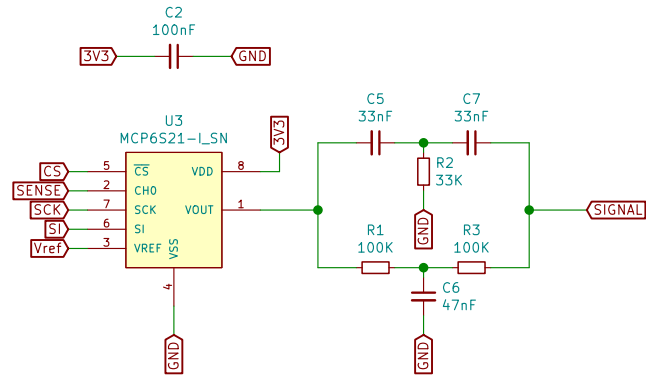
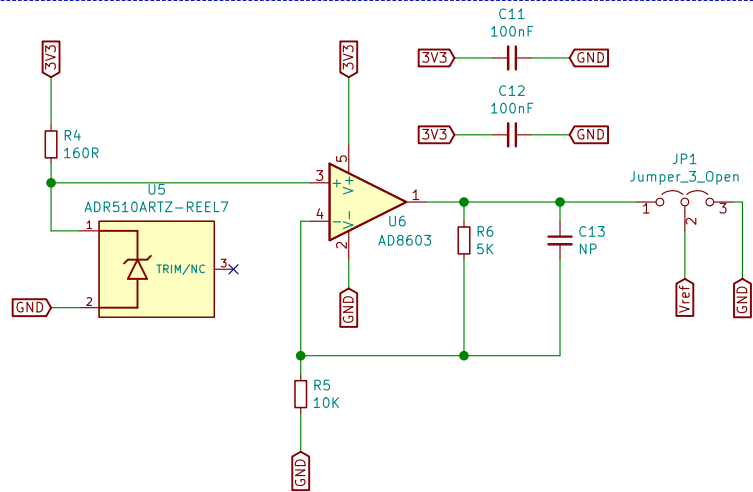


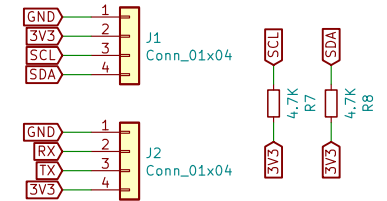
Signal Conditioning



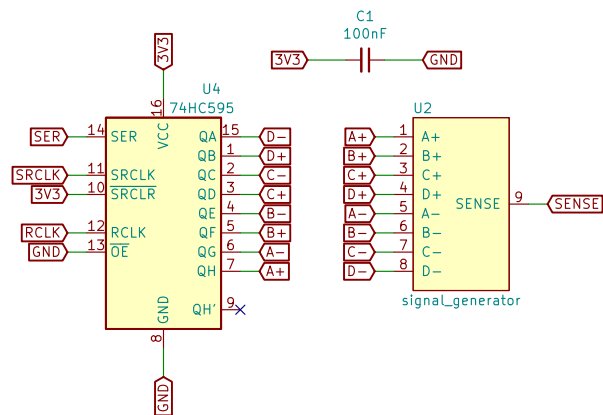
Reference voltage



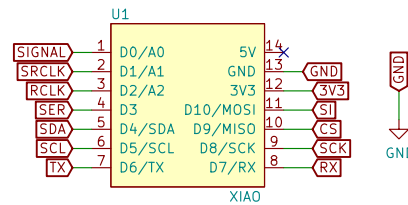
Communication



Signal Generation



MCU socket



X-tech BG

Sheet: /
File: Hardware V2.sch

Title: Digital Caliper Type 2

Size: A4 Date: 2024-10-27

KiCad E.D.A. kicad (5.1.12)-1

Rev: rev2

Id: 1/1