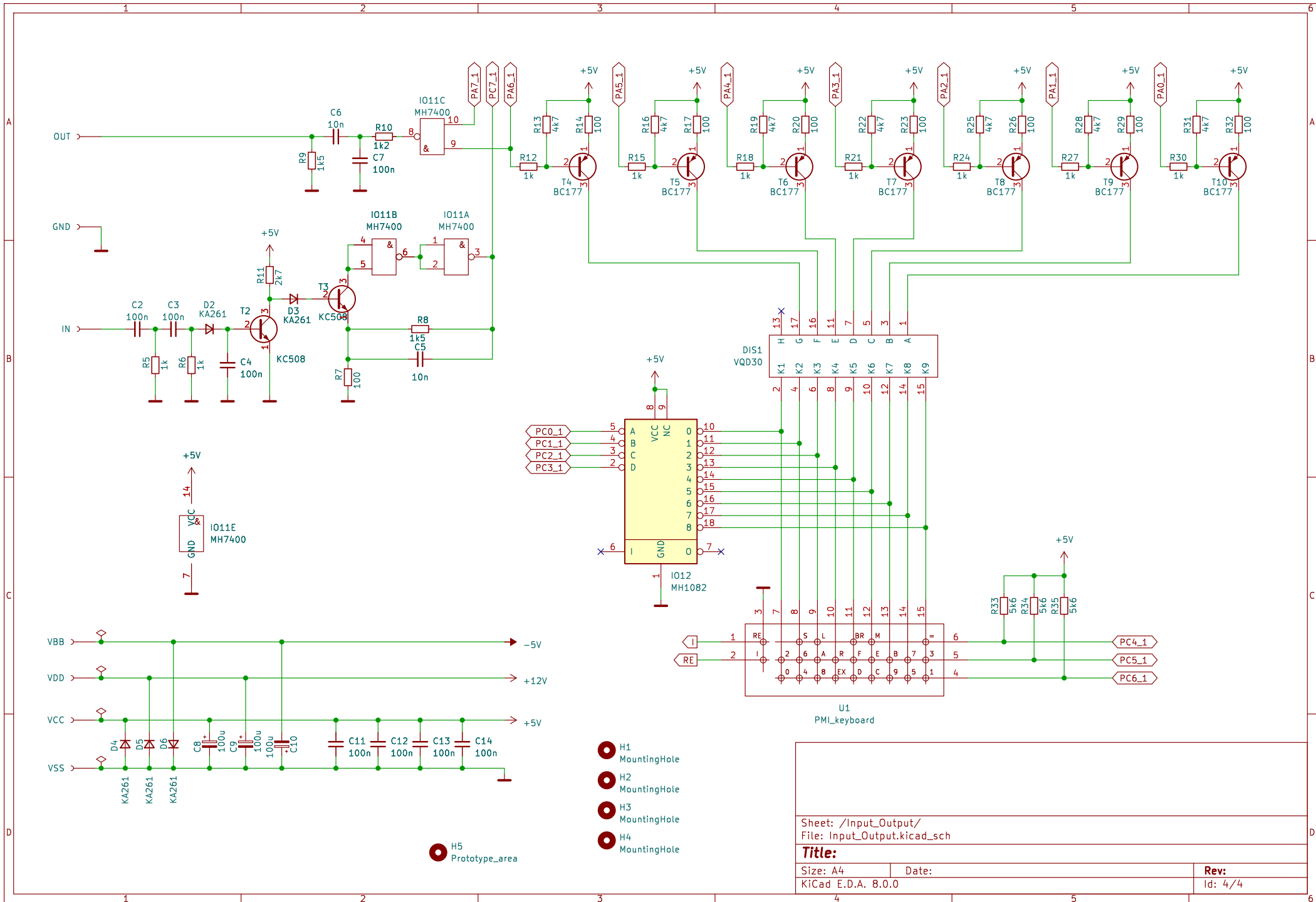


Sheet: /CPU/		Date:	
File: CPU.kicad_sch		Rev:	
Size: A4	KiCad E.D.A. 8.0.0		Id: 2/4



- H1 MountingHole
- H2 MountingHole
- H3 MountingHole
- H4 MountingHole
- H5 Prototype_area

Sheet: /Input_Output/		Date:	
File: Input_Output.kicad_sch		Rev:	
Size: A4	KiCad E.D.A. 8.0.0		Id: 4/4