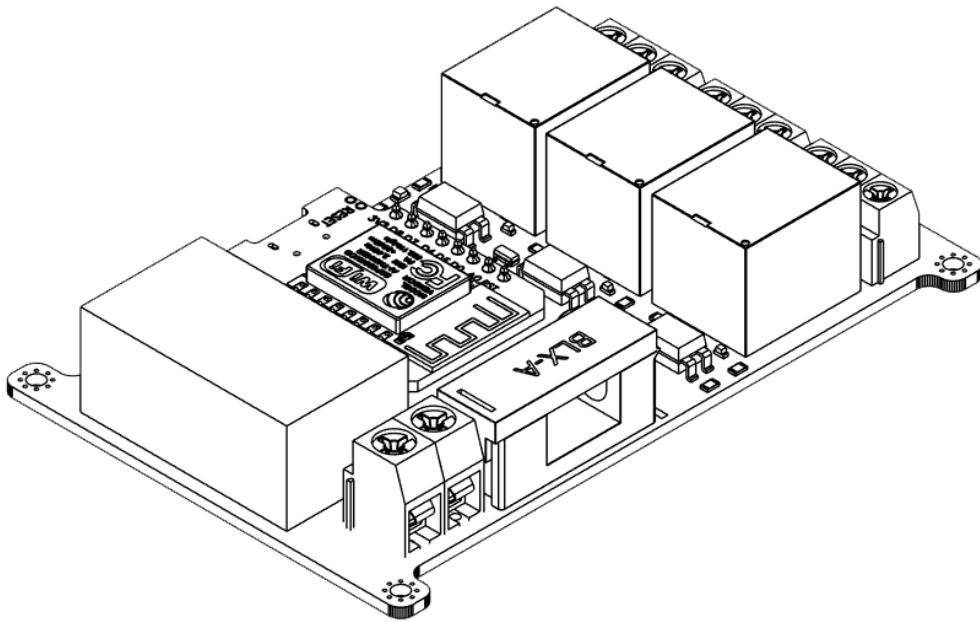


Internet of Things (IOT) Board 3 Channel ESP12



Fewalab Industries
Bhaktapur, Nepal

thefewalab@gmail.com | www.fewalab.com

Overview

The board is designed as a generic IOT Board reducing the messiness caused by wires and DIY Matrix boards. You can buy the board and get started right away. The board can be directly programmed via Arduino IDE and you can get started within minutes of receiving the product.

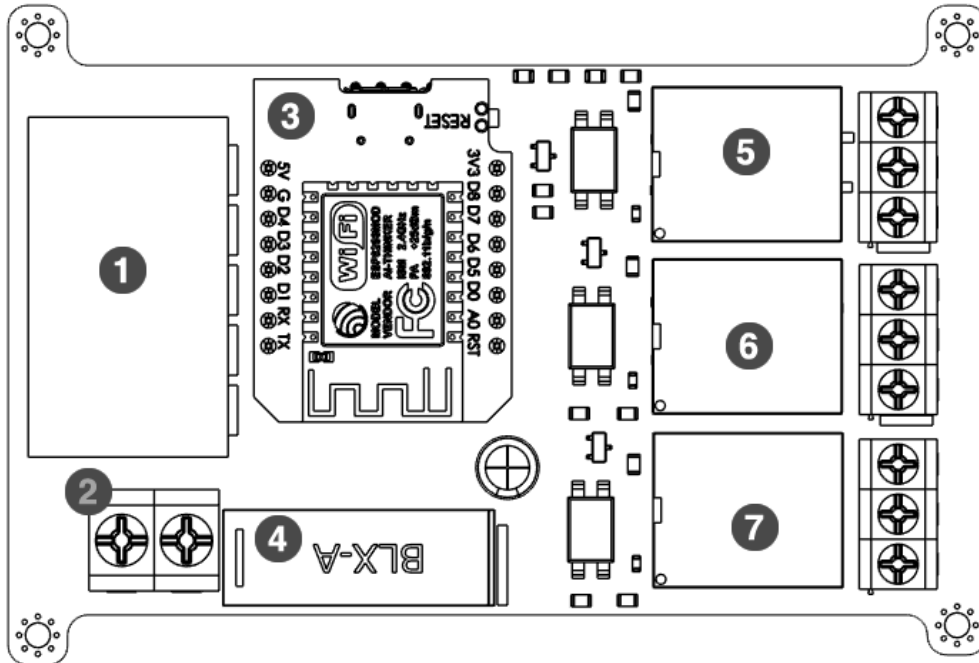
General Features

- 3 Channel Relay
- In-built AC-DC Converter
- Program via Arduino
- In-built fuse for protection
- 5V Relays
- PCB Dimensions: 95X65 mm
- Mass: 85 grams
- Microcontroller: ESP12F
- Extra LED connected to IO

A basic code is available at our github page, from which you can control the relays via a website hosted in the local IP. From there you can modify the code according to your need.

Applications

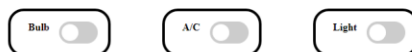
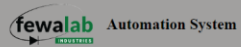
- Automation
- Agriculture/ Irrigation
- Controlling Aquarium
- Home Automation
- IOT Projects Prototyping



- | | |
|--------------------------|------------------|
| 1 AC-DC Converter | 5 RELAY-1 |
| 2 AC Connector | 6 RELAY-2 |
| 3 WEMOS D1 MINI | 7 RELAY-3 |
| 4 FUSE | |

Github Links

<https://github.com/thewealab/IOT-Board-v1.0-Public>



Copyright ©.All rights are reserved

This is the default UI that is in the github link. It can be modified according to your requirement.

MECHANICAL SPECIFICATIONS

All the dimensions are mm.

