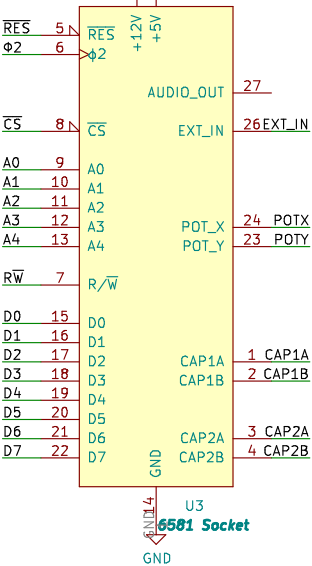
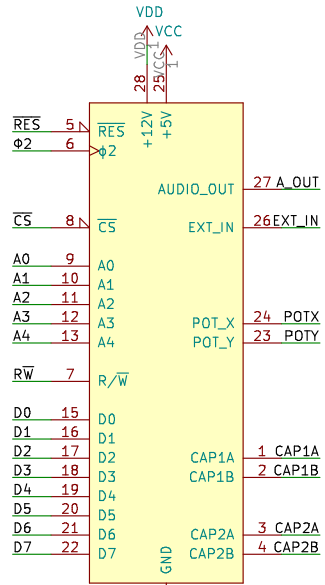
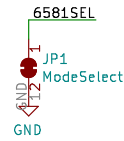


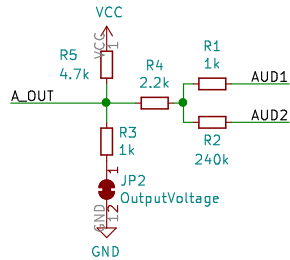
IC Pins & SID Socket



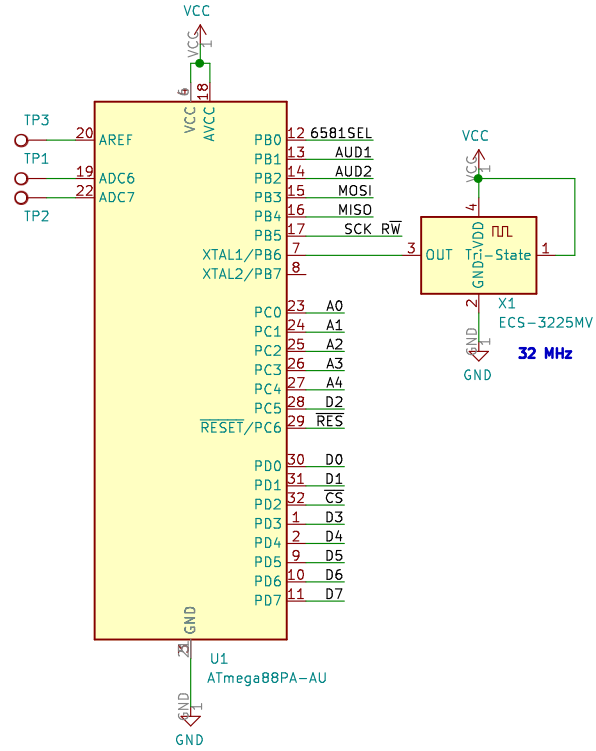
Mode Select



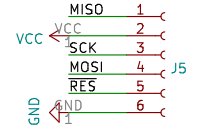
Audio Output



Microcontroller



Programming Connector



Power LED & Filtering Cap

