

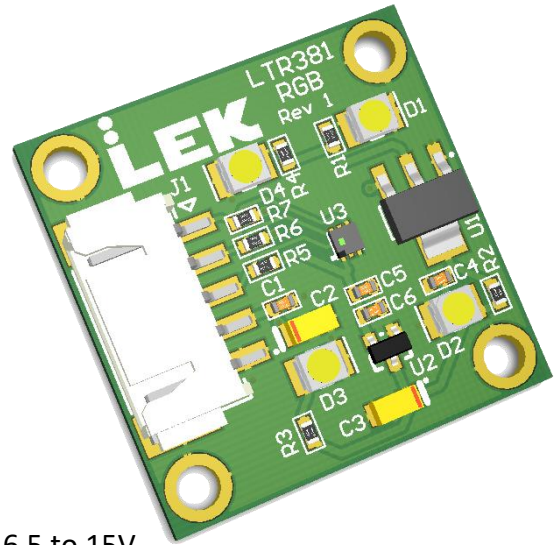


KS-028 LTR381 RGB Sensor

• DESCRIPTION

The KS028 LTR381 RGB Sensor is an easy-to-connect I2C ambient light sensor and RGB color sensor.

This sensor converts red, green, blue and IR light intensity into digital values capable of being read over an I2C interface.



• FEATURES

- 4 x white illumination LEDs.
- On-board regulator, accepts supply voltages from 6.5 to 15V.
- 3.3V I2C interface (Standard mode @ 100kHz or Fast mode @ 400kHz).
- Automatic rejection of 50Hz/60Hz lighting flicker.
- Built-in temperature compensation.
- Outer dimensions: 30mm x 30mm board size.
- 2 x layer with 1oz copper.

• ELECTRICAL CHARACTERISTICS

PARAMETER	SYMBOL	MIN	TYP	MAX	UNIT
Supply Voltage	V_{IN}	6.5		12	VDC
Supply Current	I_{IN}	40	45	50	mA
I2C digital voltage. SCL, SDA, INT	V_{DIG}	-0.5		3.6	V

• CONNECTOR PINOUT & DETAILS

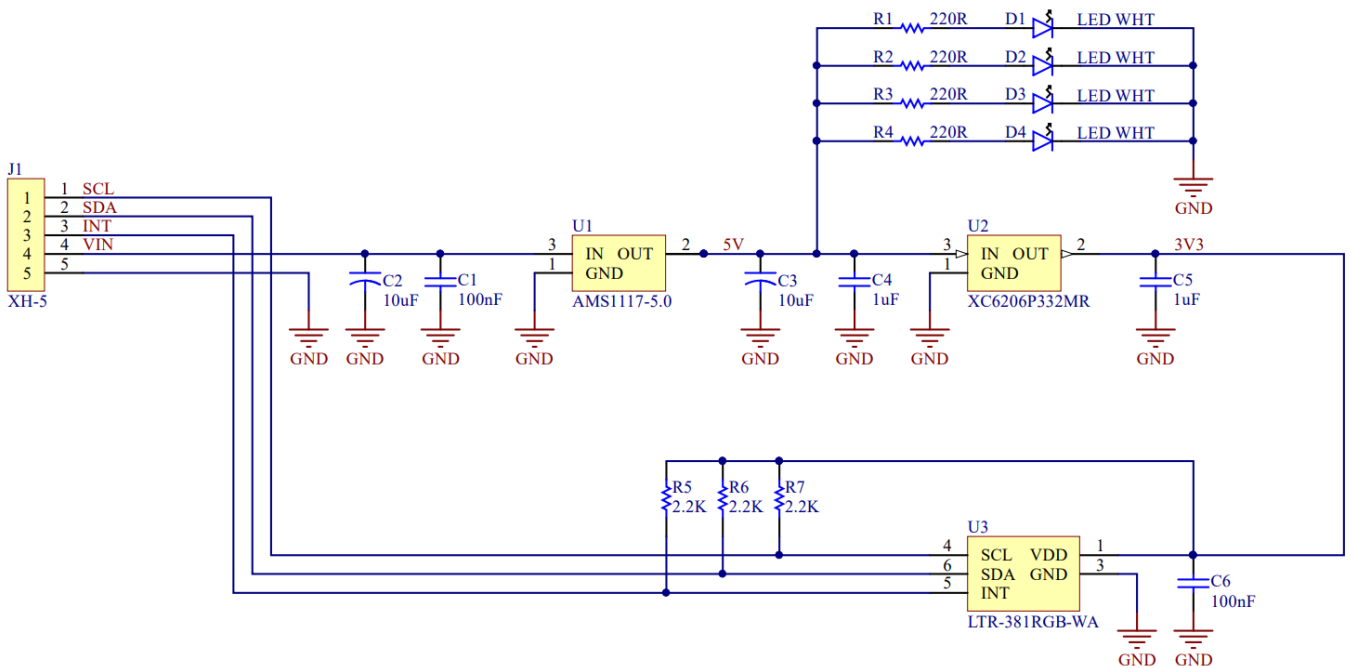
J1 HEADER: JST B5B-XH

J1 WIRE CONNECTOR: JST XHP-5

J1 WIRE TERMINALS: JST SXH-001T-P0.6 (for AWG22-AWG28 wires)

PIN		I/O	DESCRIPTION
NO.	NAME		
J1.1	SCL	IN	I2C Serial Clock
J1.2	SDA	I/O	I2C Serial Data
J1.3	INT	OUT	Level Interrupt Pin
J1.4	VIN	-	Supply Voltage Input
J1.5	GND	-	Ground

• SCHEMATIC



• PART DIMENSIONS (millimeters)

