

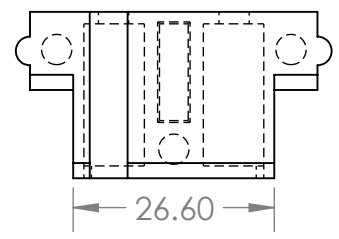
2

1

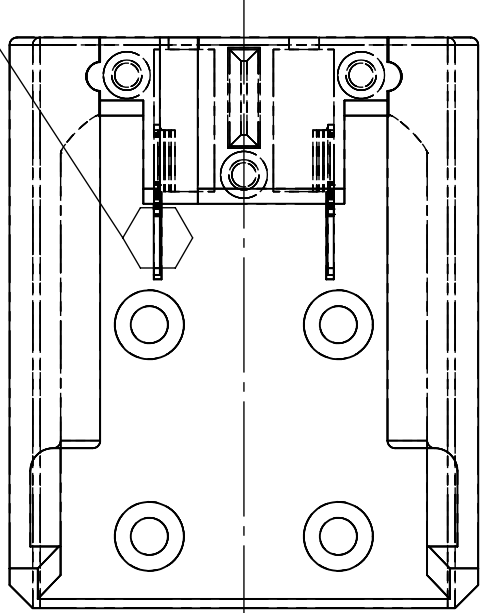
B

B

Spade Connector (Battery Terminal) Insert



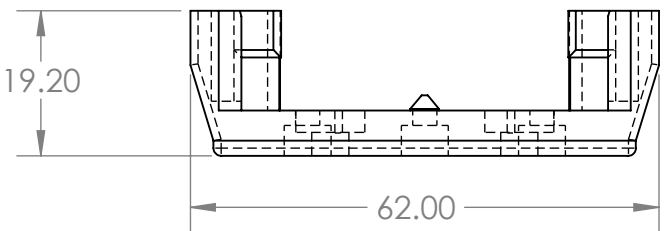
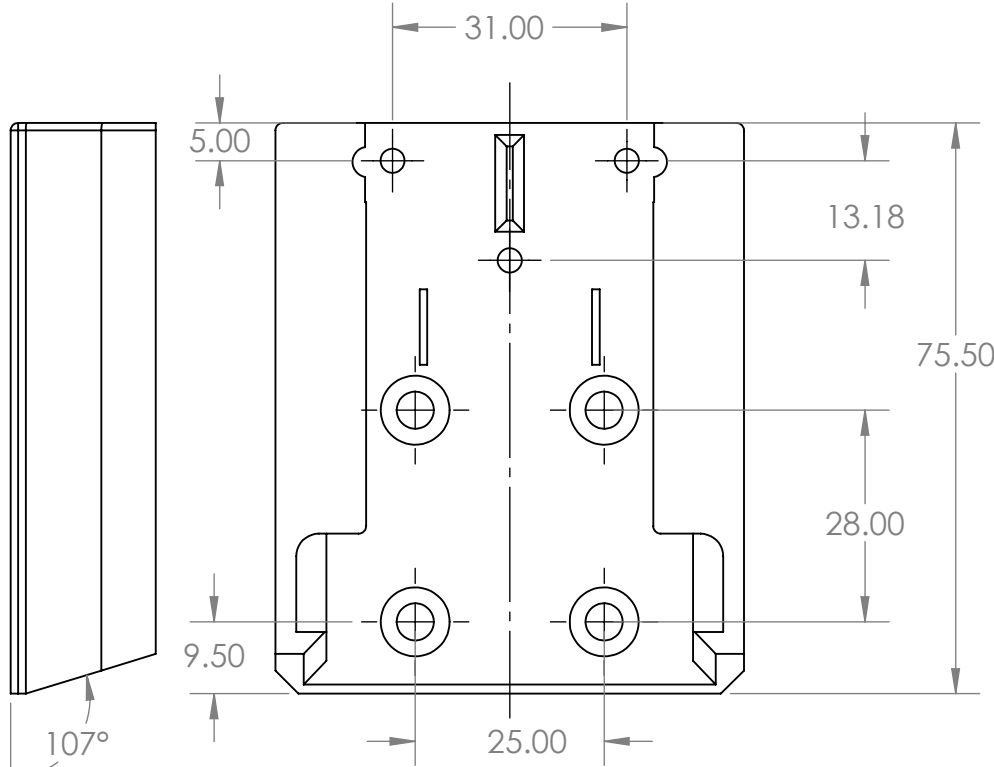
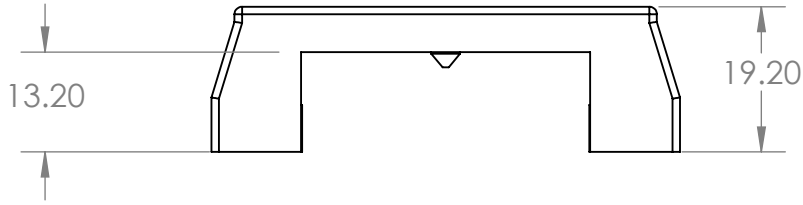
Molex DBL Male/Single Female Quick Disconnect  
 DigiKey PN: WM22922-ND  
 Quantity: 2



(Assembled View)

A

A



MATERIAL	PLA
Color	n/a
DO NOT SCALE DRAWING	

DRAWN BY & DATE  
 Ryan Bates  
 Jan 31, 2024

DWG. NO.  
 M18 Battery Spade Clip Full Cradle Top

SCALE: 1:1	REV	SHEET 1 OF 2
------------	-----	--------------

2

1

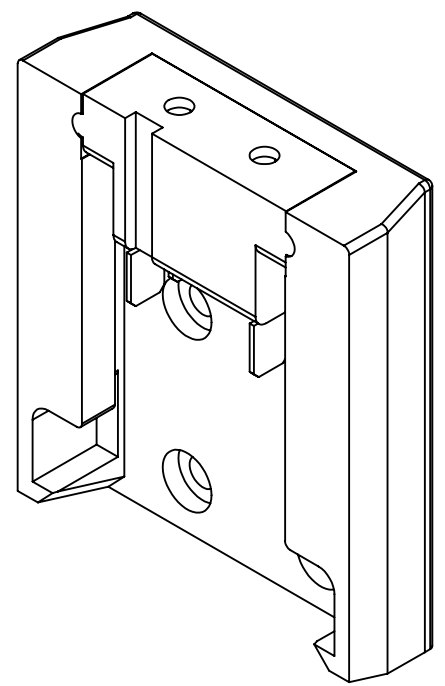
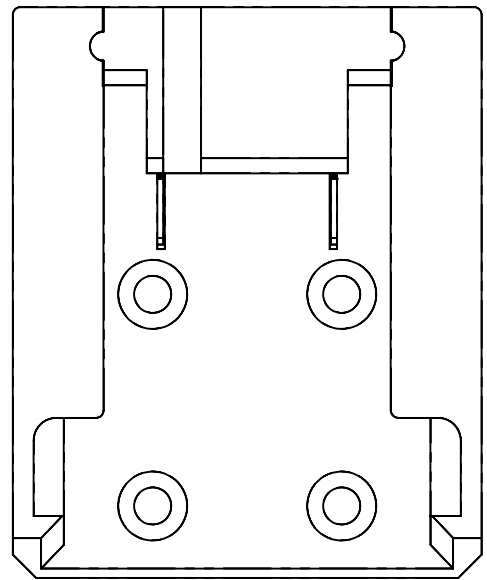
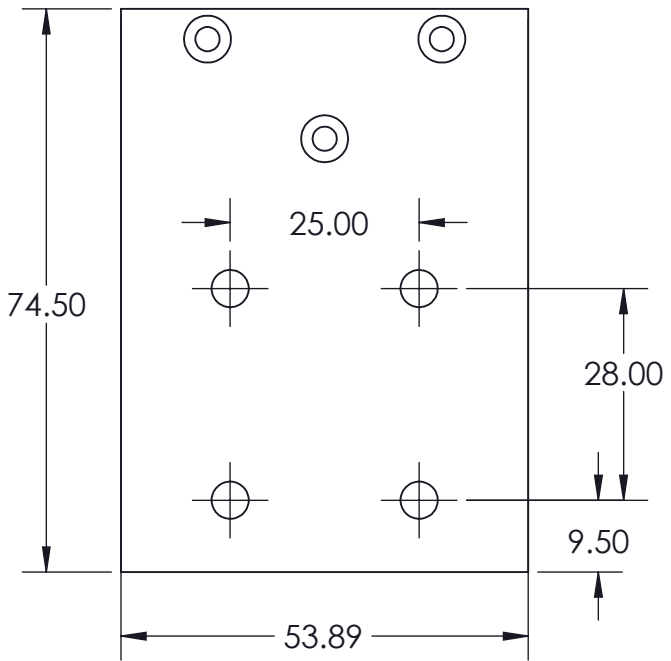
2

1

Mounting Template (Print at 100% scale)

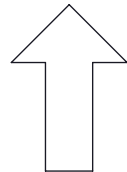
B

B



A

A



Battery inserts this side.

MATERIAL	PLA	DRAWN BY & DATE	
Color	n/a	Ryan Bates Jan 31, 2024	
DO NOT SCALE DRAWING		DWG. NO.	M18 Battery Spade Clip Full Cradle Top
SCALE: 1:1	REV	SHEET 2 OF 2	

2

1