

AN-917 Popular Connector Pin Assignments for Data Communication

ABSTRACT

This application note provides a graphical reference to popular connector pin assignments (pin outs) that are commonly used in telecom and computing applications.

Contents

1	Introduction	2
2	RS-232	3
3	RS-449	3
4	EIA-530 and EIA/TIA-530-A	4
5	EIA/TIA-561	5
6	EIA/TIA-574	6
7	V.35	6
8	IEEE-488	7
9	Centronics Port and IBM PC Parallel Port	8
10	Summary	10
11	Reference	10

List of Figures

1	RS-232 DB-25	2
2	RS-232 ALT-A	3
3	RS-449 DB-37	4
4	EIA-530 DB-25	5
5	EIA/TIA-530-A DB-25	5
6	EIA/TIA-561 MJ-8	6
7	EIA/TIA-574 DB-9	7
8	CCITT V.35	7
9	IEEE-488	8
10	Centronics Port	9
11	IBM PC Parallel Port	9

1 Introduction

This application note provides a graphical reference to popular connector pin assignments (pin outs) that are commonly used in telecom and computing applications.

In the field of data communication, the cable and connector play a critical part in the system's performance along with the line driver and receiver integrated circuits. Together the components (PCBs, ICs, cables, and connectors) form a channel, which all information must pass through. This channel forms a true chain, and a fault in any link may break the chain.

As stated in the introduction, this application note focuses on the connectors, and more specifically the pin assignments of the connectors. When equipment is built by a manufacturer and is intended to interwork with equipment from different manufacturers the use of an industry standard is critical. To properly interoperate, the two pieces of equipment must support the same protocol (functional specifications), electrical levels, mechanical dimensions of the connector, and most importantly the connector's pin assignment. Since industry standards, TIA/EIA (Telecommunications Industry Association/Electronic Industries Association) for example, commonly specify or reference all three areas: Functional, Electrical, and Mechanical specifications, the chance of success is greatly increased when hooking up the two pieces of equipment.

A substantial amount of standardization work has been done in the telecommunications and computing area for interface standards. In addition to the connector pin outs, this application note also provides a short description of the standard or historical perspective. The reader is referenced to the actual standards from complete information on the standard.

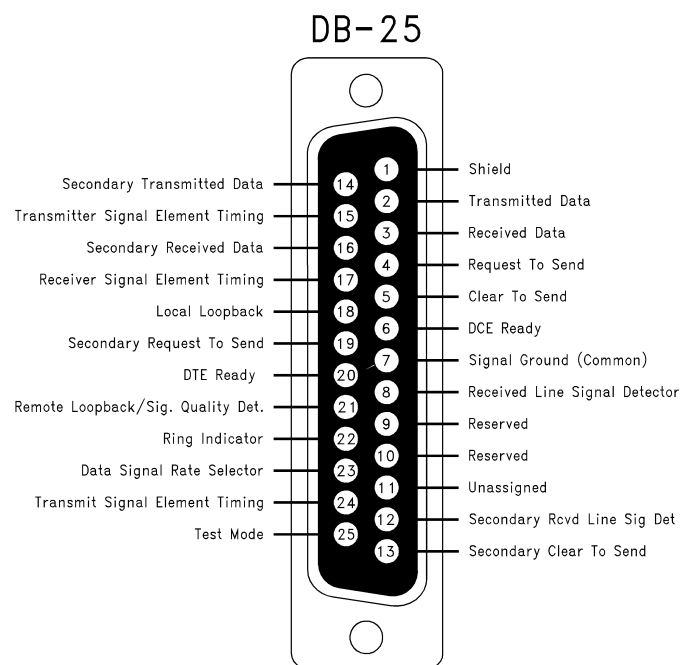


Figure 1. RS-232 DB-25

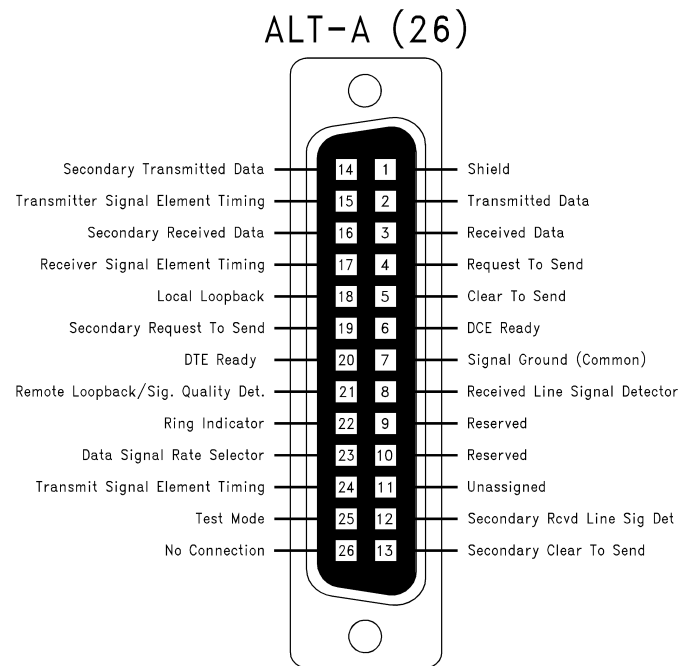


Figure 2. RS-232 ALT-A

2 RS-232

RS-232 is one of the most popular interface standards in the world. Originally intended for DTE/DCE interfacing, this standard has been used in a wide range of applications including telecom, computing, test and measurement, and industrial control applications. Now in its fifth revision (E), RS-232 is still very popular, and new devices (line drivers and receivers) are being developed to support the standard. The correct name of the standard is EIA/TIA-232-E which has replaced the more common RS-232 nomenclature. This standard specifies two connectors, the standard DB-25, also a new smaller alternate connector with 26 pins. The original version of RS-232 dates back to the early 1960s and is known as a complete standard as it specifies all functional, electrical, and mechanical specifications. There is also a very popular 9 pin defacto version of this standard commonly employed on personal computers that was developed by IBM®. The two full (25 line) connector pin outs are shown on [Figure 1](#) and [Figure 2](#). See [Figure 7](#) for an illustration of the defacto 9 pin implementation, now standardized as EIA/TIA-574.

3 RS-449

RS-449 was intended to replace RS-232 at one time. It also specifies a DTE/DCE interface, but references the RS-422-A and RS-423-A standards for electrical specifications. This standard specified a DB-37 pin connector along with an additional DB-9 pin connector when additional lines were required. The 37 pin connector proved too large for many applications and limited the acceptance of this interface. RS-449 is mainly found in high-end telecom applications but rarely elsewhere. It has been replaced with a new standard that specifies the common DB-25 connector (EIA/TIA-530-A). The pin out of the DB-37 pin connector is shown in [Figure 3](#).

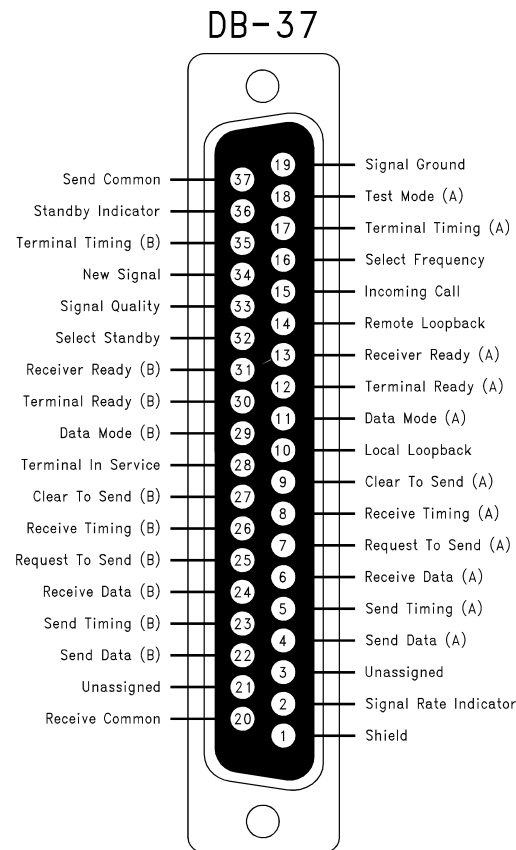


Figure 3. RS-449 DB-37

4 EIA-530 and EIA/TIA-530-A

EIA-530 is an extension of RS-449 but is based on the DB-25 connector. This standard specifies both functional and mechanical specifications, and references RS-422-A and RS-423-A standards for electrical specifications. This connector is the same one commonly used in EIA/TIA-232-E (RS-232) applications. This standard has been revised (denoted by the letter suffix — “A”), which altered the pin assignments slightly from EIA-530. Both pin assignments are shown in [Figure 4](#) and [Figure 5](#).

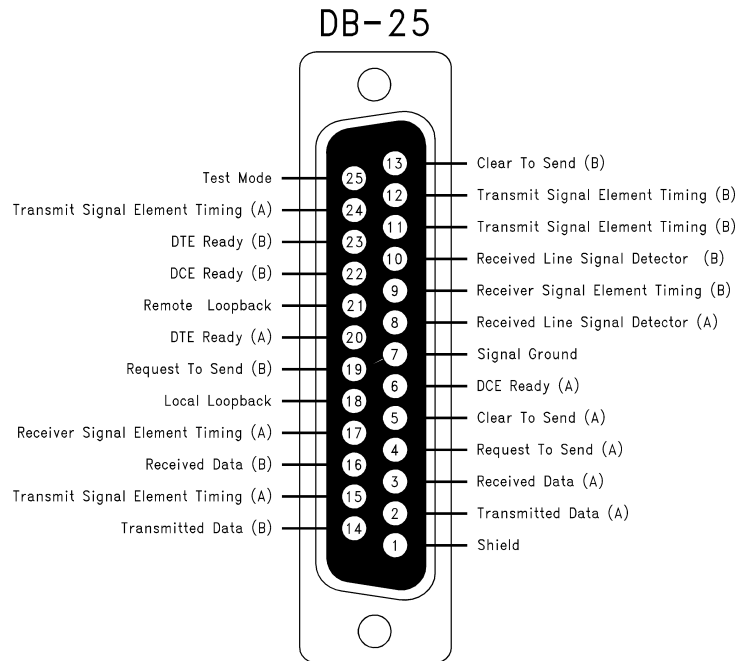


Figure 4. EIA-530 DB-25

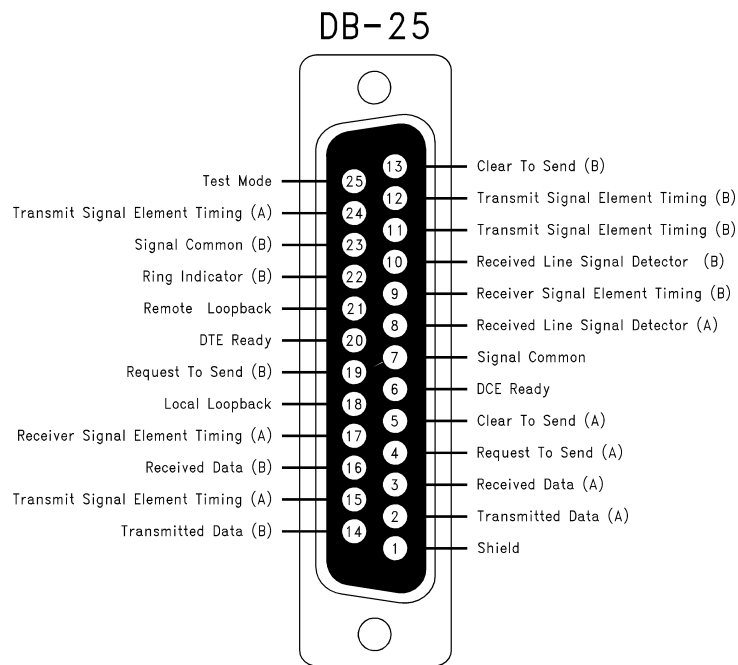
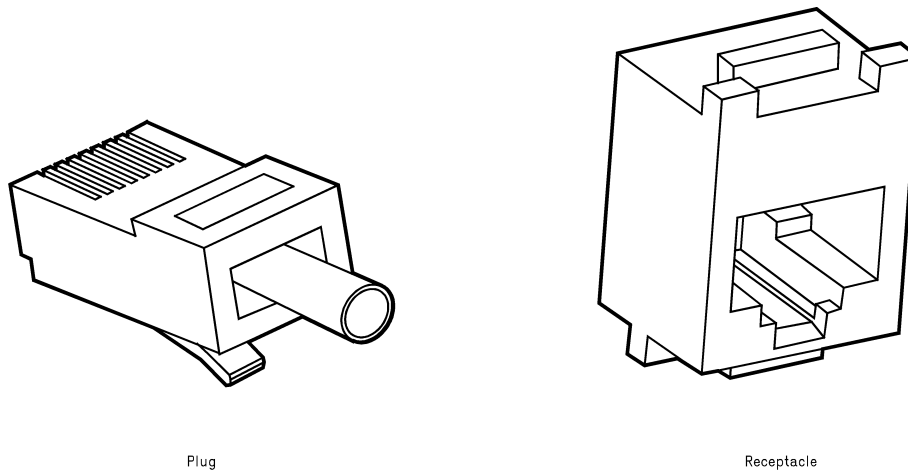


Figure 5. EIA/TIA-530-A DB-25

5 EIA/TIA-561

EIA/TIA-561 is a new standard released in 1990 and specifies a small 8 position interface for non-synchronous interface between DTEs and DCEs. The uniqueness of this standard is the fact that it does not specify a DB style connector, but rather a modular receptacle and plug type connector. This standard references the companion standard EIA/TIA-562 for electrical levels (similar to RS-232 but lower power and faster). The plug and jack are shown in [Figure 6](#).

Several other pin out options for the MJ connector exist. Most of these are proprietary implementations. Check with the specifications for the equipment that is being interfaced to. This will ensure inter-operation when employing an MJ connector.



1. Ring Indicator
2. Received Line Signal Detector
3. DTE Ready
4. Signal Common
5. Received Data
6. Transmitted Data
7. Clear to Send
8. Request to Send/Ready for Receiving

Figure 6. EIA/TIA-561 MJ-8

6 EIA/TIA-574

EIA/TIA-574 was developed due to confusion arising between the official RS-232 interface and the exceedingly popular defacto 9-pin version developed by IBM. This standard specifies the DB-9 interface, however, it recommends the use of the RS-562 standard instead of RS-232 electrical levels. It is noted that EIA/TIA-562 can inter-operate with RS-232 drivers and receivers in many applications. This standard supplies the minimum number of lines for non-synchronous serial data interchange between DTEs and DCEs. The connector pin out is shown in [Figure 7](#).

7 V.35

Recommendations V.35 was developed by the CCITT (International Telegraph and Telephone Consultative Committee) as a high speed modem standard that also specified the DTE/DCE interface. This standard used RS-232 type line drivers and receivers for control circuits, and its own unique differential drivers and receivers for high speed data and timing lines. This recommendation specifies a unique connector and is shown in [Figure 8](#). It should also be noted that the CCITT has been replaced with the ITU (International Telecommunications Union) and new standards will adopt the ITU prefix instead of CCITT.

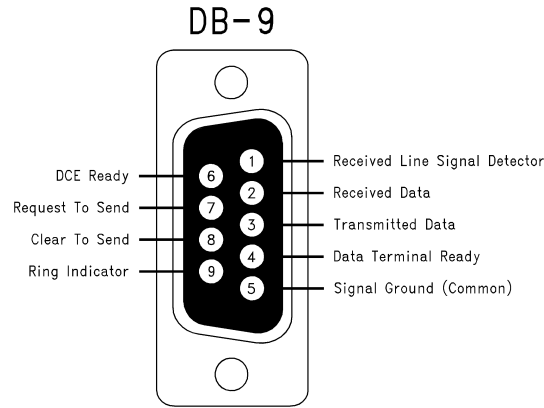


Figure 7. EIA/TIA-574 DB-9

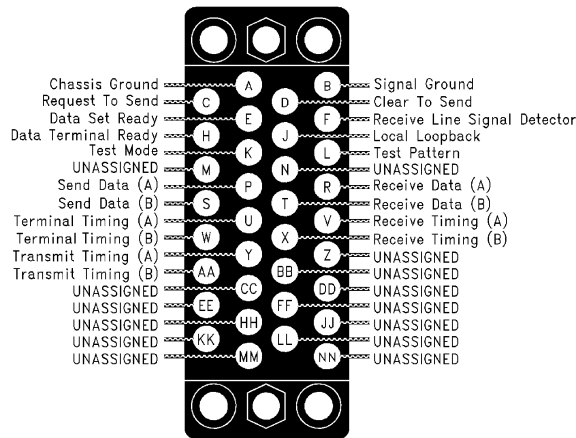
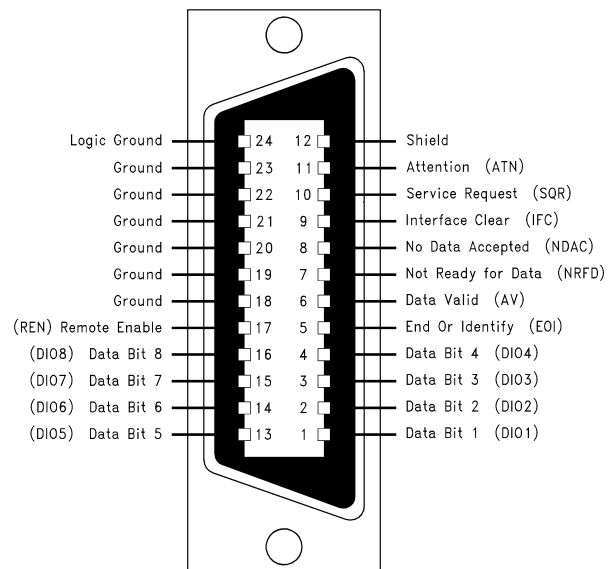


Figure 8. CCITT V.35

8 IEEE-488

The IEEE (Institute of Electrical and Electronic Engineers) also standardizes many interfaces in the area of computing and instrumentation. IEEE-488 is a complete standard specifying all functional, electrical, and mechanical specifications for a 16 line parallel bus for instrumentation. This interface is commonly found on test, and measurement equipment that feature computerized programming and control. This standard is also known under the acronym as GPIB (General Purpose Interface Bus). The pin out of the standardized connector is shown in [Figure 9](#).


Figure 9. IEEE-488

9 Centronics Port and IBM PC Parallel Port

These two defacto standards both specify parallel interface that are commonly used in computing applications (computer to peripheral-printer). Both are defacto standards, and support similar functions but different pin outs and mechanical specifications. The IEEE has also defined a parallel port in the 1284 standard. It defines the 1284 connector and pin out (not shown here). The Centronics and IBM Parallel port pin outs are defined in the informational annexes of IEEE-1284. The two defacto connectors are shown in [Figure 10](#) and [Figure 11](#).

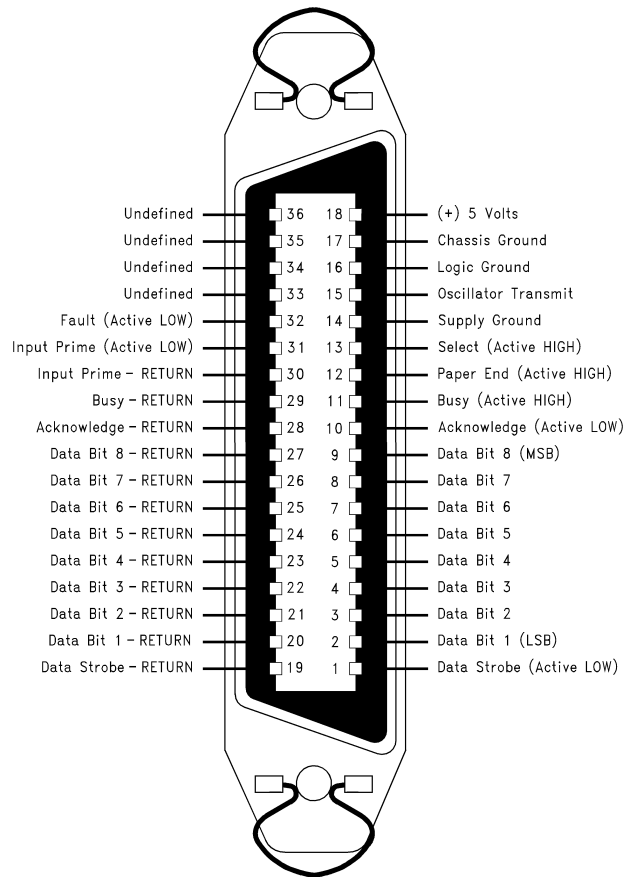


Figure 10. Centronics Port

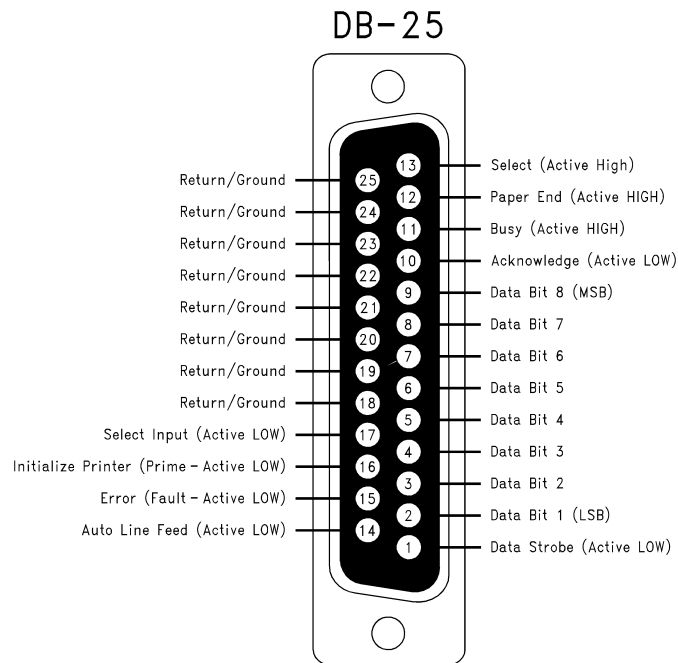


Figure 11. IBM PC Parallel Port

10 Summary

By selecting an industry standard, the problem of getting signals from one board or box to another is greatly reduced. This is especially true when inter-operation between systems built by different manufacturers is required (open system).

Interface standards from the TIA/EIA and other standards groups greatly resolve this interfacing problem. This application note provides insight into those standards by providing a graphical representation of the connectors referenced in the standards. As always, whenever designing a system to an industry standard, a thorough review of the most recent revision of the standard is highly recommended.

11 Reference

Most standards are available from:

Global Engineering Documents

15 Inverness Way East

Englewood, CO 80112-5704

303-397-7956 or 800-854-7179

<http://global.ihs.com/>

Various connector, cable and data communication products are available from:

South Hills Datacom

Pittsburgh, PA, USA

Toll-Free:— 800-245-6215

Local:— 412-921-9000

FAX:— 412-921-2254

IMPORTANT NOTICE

Texas Instruments Incorporated and its subsidiaries (TI) reserve the right to make corrections, enhancements, improvements and other changes to its semiconductor products and services per JESD46, latest issue, and to discontinue any product or service per JESD48, latest issue. Buyers should obtain the latest relevant information before placing orders and should verify that such information is current and complete. All semiconductor products (also referred to herein as "components") are sold subject to TI's terms and conditions of sale supplied at the time of order acknowledgment.

TI warrants performance of its components to the specifications applicable at the time of sale, in accordance with the warranty in TI's terms and conditions of sale of semiconductor products. Testing and other quality control techniques are used to the extent TI deems necessary to support this warranty. Except where mandated by applicable law, testing of all parameters of each component is not necessarily performed.

TI assumes no liability for applications assistance or the design of Buyers' products. Buyers are responsible for their products and applications using TI components. To minimize the risks associated with Buyers' products and applications, Buyers should provide adequate design and operating safeguards.

TI does not warrant or represent that any license, either express or implied, is granted under any patent right, copyright, mask work right, or other intellectual property right relating to any combination, machine, or process in which TI components or services are used. Information published by TI regarding third-party products or services does not constitute a license to use such products or services or a warranty or endorsement thereof. Use of such information may require a license from a third party under the patents or other intellectual property of the third party, or a license from TI under the patents or other intellectual property of TI.

Reproduction of significant portions of TI information in TI data books or data sheets is permissible only if reproduction is without alteration and is accompanied by all associated warranties, conditions, limitations, and notices. TI is not responsible or liable for such altered documentation. Information of third parties may be subject to additional restrictions.

Resale of TI components or services with statements different from or beyond the parameters stated by TI for that component or service voids all express and any implied warranties for the associated TI component or service and is an unfair and deceptive business practice. TI is not responsible or liable for any such statements.

Buyer acknowledges and agrees that it is solely responsible for compliance with all legal, regulatory and safety-related requirements concerning its products, and any use of TI components in its applications, notwithstanding any applications-related information or support that may be provided by TI. Buyer represents and agrees that it has all the necessary expertise to create and implement safeguards which anticipate dangerous consequences of failures, monitor failures and their consequences, lessen the likelihood of failures that might cause harm and take appropriate remedial actions. Buyer will fully indemnify TI and its representatives against any damages arising out of the use of any TI components in safety-critical applications.

In some cases, TI components may be promoted specifically to facilitate safety-related applications. With such components, TI's goal is to help enable customers to design and create their own end-product solutions that meet applicable functional safety standards and requirements. Nonetheless, such components are subject to these terms.

No TI components are authorized for use in FDA Class III (or similar life-critical medical equipment) unless authorized officers of the parties have executed a special agreement specifically governing such use.

Only those TI components which TI has specifically designated as military grade or "enhanced plastic" are designed and intended for use in military/aerospace applications or environments. Buyer acknowledges and agrees that any military or aerospace use of TI components which have **not** been so designated is solely at the Buyer's risk, and that Buyer is solely responsible for compliance with all legal and regulatory requirements in connection with such use.

TI has specifically designated certain components which meet ISO/TS16949 requirements, mainly for automotive use. Components which have not been so designated are neither designed nor intended for automotive use; and TI will not be responsible for any failure of such components to meet such requirements.

Products

Audio	www.ti.com/audio
Amplifiers	amplifier.ti.com
Data Converters	dataconverter.ti.com
DLP® Products	www.dlp.com
DSP	dsp.ti.com
Clocks and Timers	www.ti.com/clocks
Interface	interface.ti.com
Logic	logic.ti.com
Power Mgmt	power.ti.com
Microcontrollers	microcontroller.ti.com
RFID	www.ti-rfid.com
OMAP Applications Processors	www.ti.com/omap
Wireless Connectivity	www.ti.com/wirelessconnectivity

Applications

Automotive and Transportation	www.ti.com/automotive
Communications and Telecom	www.ti.com/communications
Computers and Peripherals	www.ti.com/computers
Consumer Electronics	www.ti.com/consumer-apps
Energy and Lighting	www.ti.com/energy
Industrial	www.ti.com/industrial
Medical	www.ti.com/medical
Security	www.ti.com/security
Space, Avionics and Defense	www.ti.com/space-avionics-defense
Video and Imaging	www.ti.com/video

TI E2E Community

e2e.ti.com