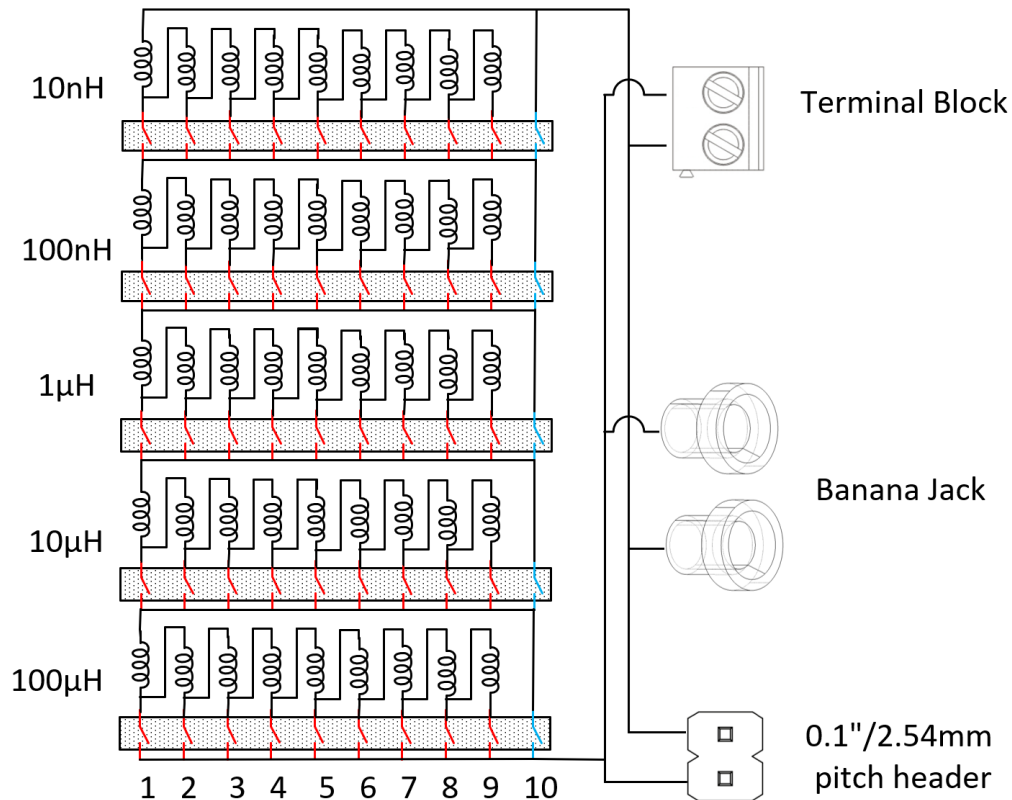




5 Decade Inductor Board 0nH – 1mH



Switch 10 must be in the "ON" position if all other switch's is in the "OFF" position for a given Inductance range

Tolerance Range

100µH ± 10%

10µH ± 20%

1µH ± 10%

100nH ± 2%

10nH ± 2%

Switch Contact Rating

24V 25mA (turning switch on/off)

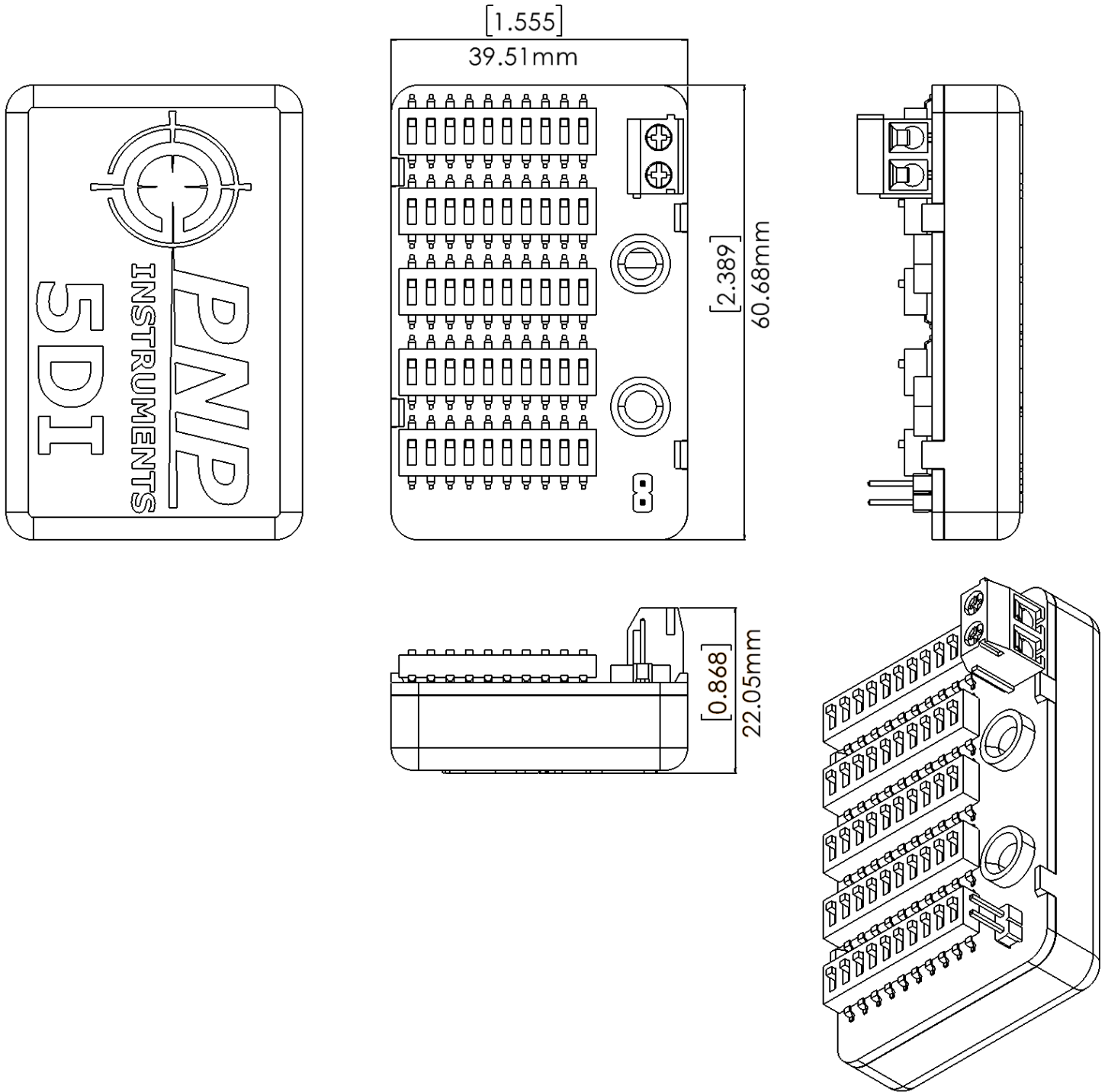
100mA (not turning switch on/off)

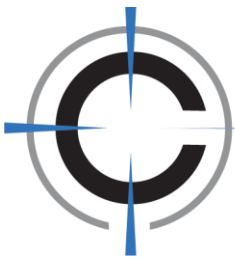
Initial Resistance: ≤ 50mΩ

End of Life Resistance: ≤ 100mΩ

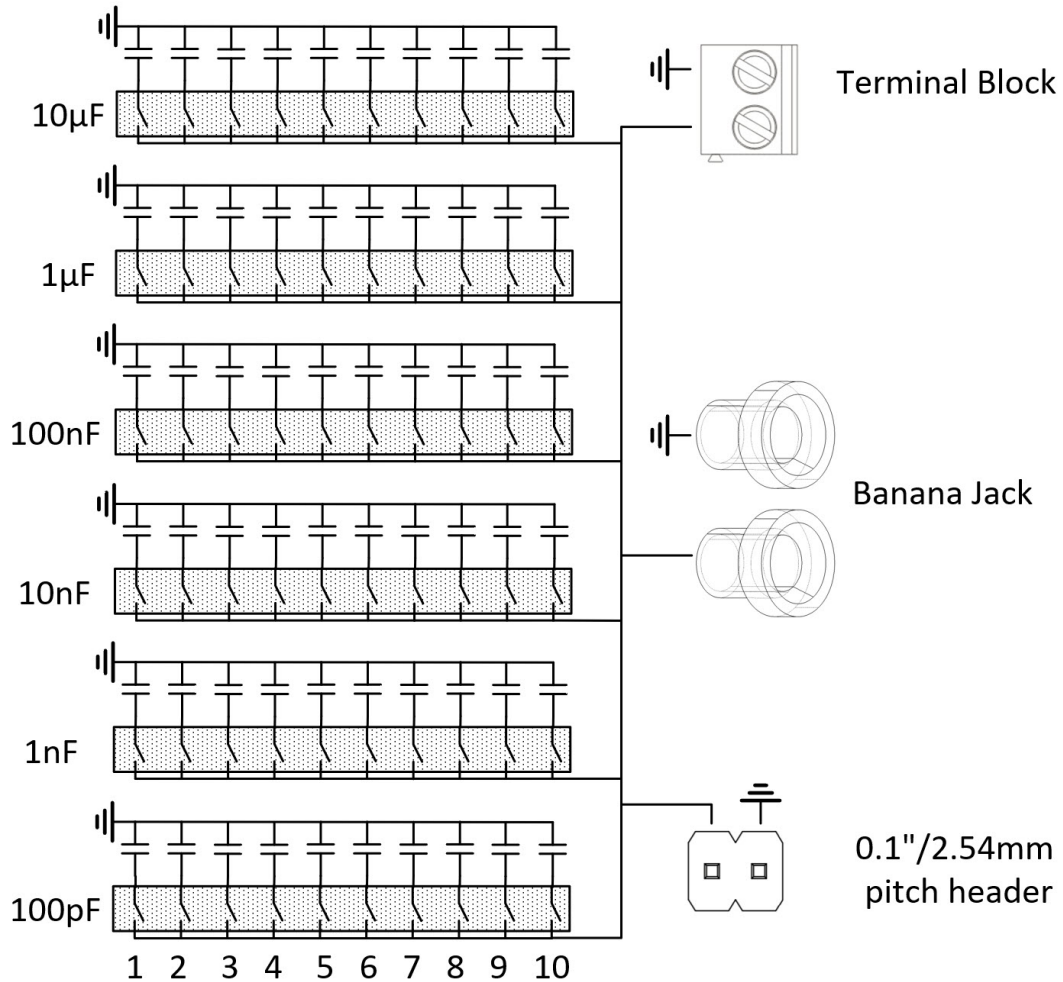


Mechanical Dimensions





6 Decade Capacitance Board 0 – 100 μ F



Tolerance & Rating

10 μ F	$\pm 10\%$	25V
1 μ F	$\pm 10\%$	50V
100nF	$\pm 5\%$	50V
10nF	$\pm 5\%$	50V
1nF	$\pm 1\%$	50V
100pF	$\pm 1\%$	50V

Switch contact rating 24V 25mA (turning switch on/off)

Switch non-contact rating 100mA (not turning switch on/off)

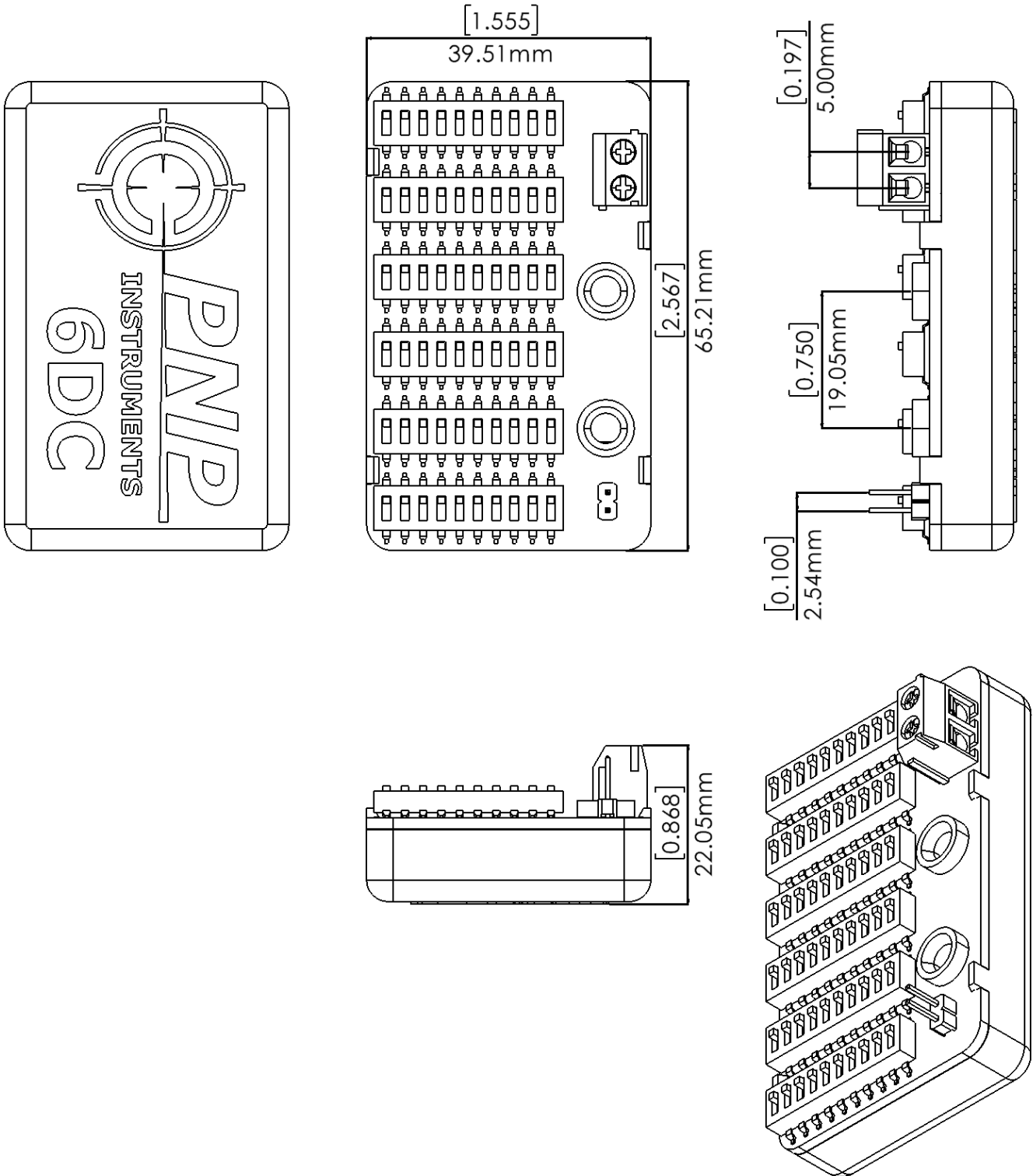
Switch contact rating

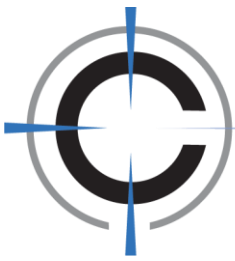
Initial: $\leq 50\text{m}\Omega$

End of Life $\leq 100\text{m}\Omega$

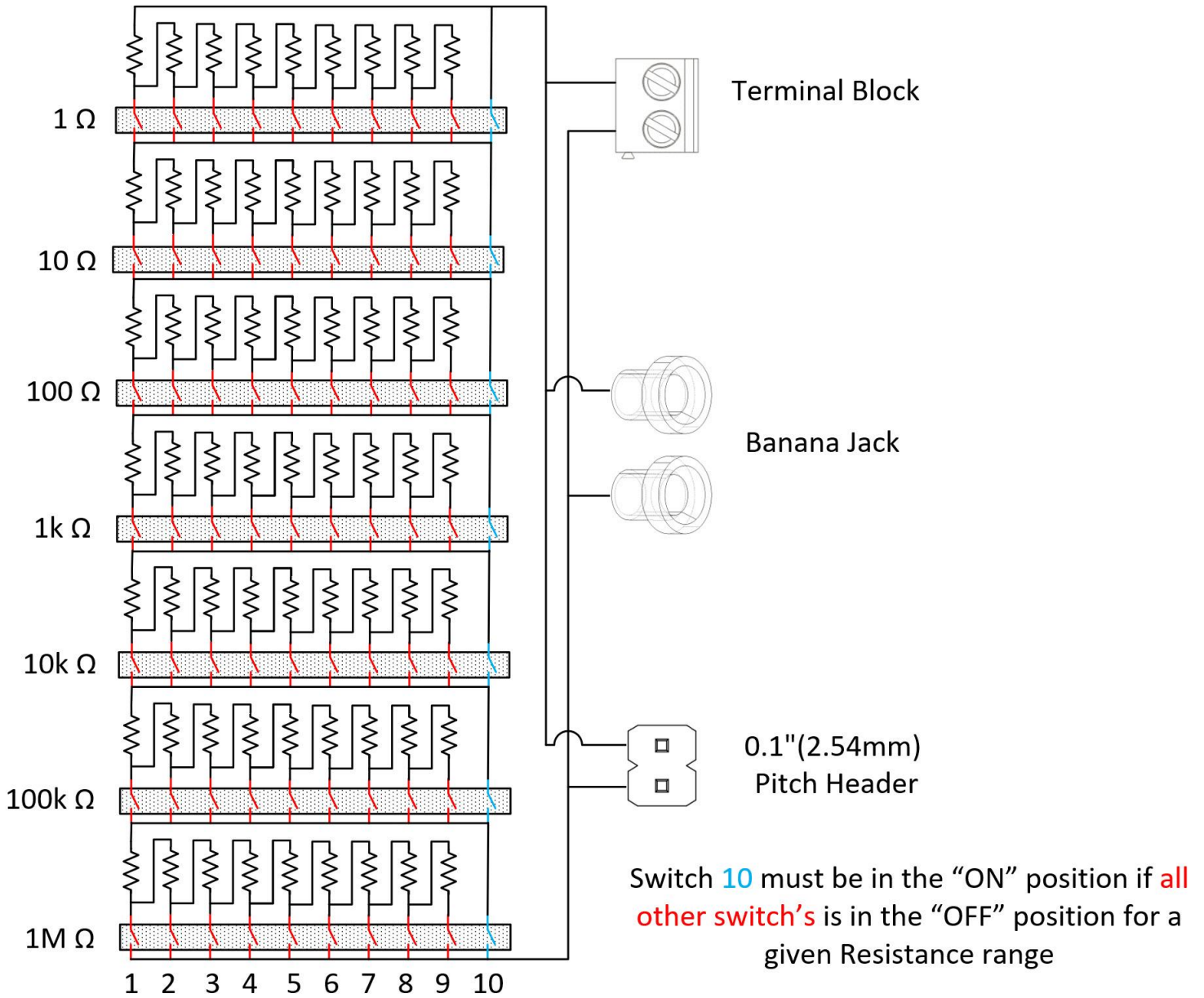


Mechanical Dimensions





7 Decade Resistance Board 0Ω – 10MΩ 1%



All resistors are 1% tolerance and 0.25 Watt capable. 1Ω step resolution from 0Ω to 10 MΩ

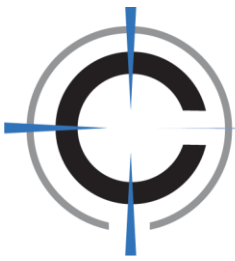
Switch contact rating 24V 25mA (turning switch on/off)

Switch non-contact rating 100mA (not turning switch on/off)

Switch contact rating

Initial: ≤ 50mΩ

End of Life ≤ 100mΩ



Mechanical Dimensions

