

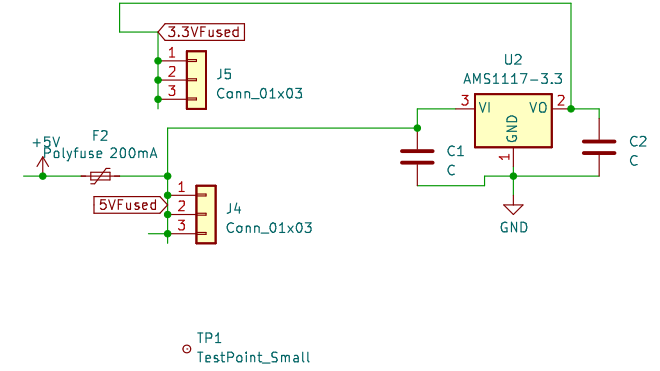
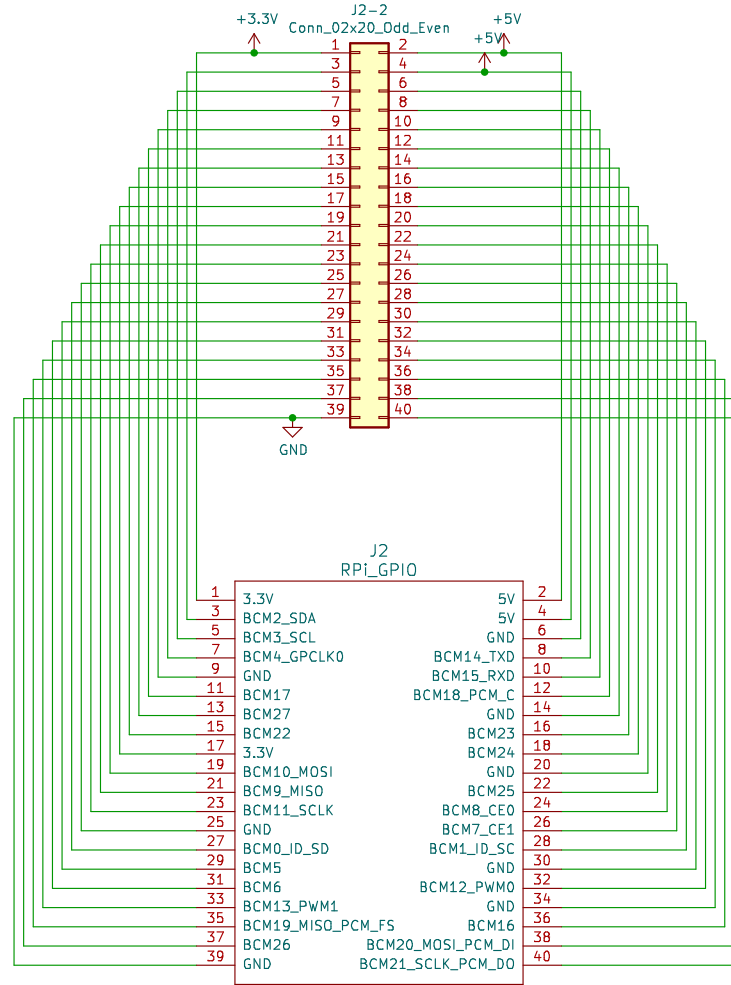
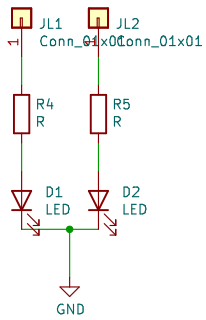
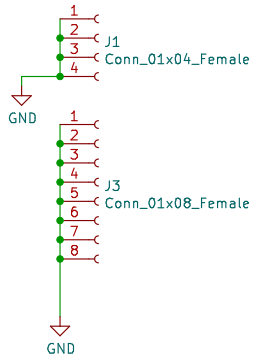
RPI_GPIO



File: RPI_GPIO.kicad_sch



Sheet:		
File: RPI_Hat.kicad_sch		
Title:		
Size: A4	Date:	Rev:
KiCad E.D.A. eeschema 7.0.0-da2b9df05c-171-ubuntu20.04.1		Id: 1/2



Sheet:	
File: RPi_GPIO.kicad_sch	
Title:	
Size: A4	Date:
KiCad E.D.A. eeschema 7.0.0-da2b9df05c-171-ubuntu20.04.1	Rev: Id: 2/2