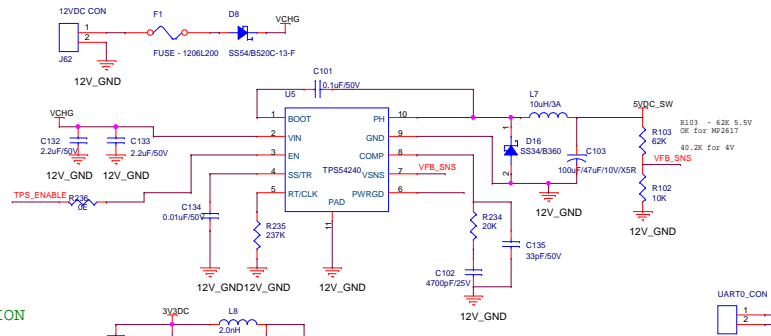
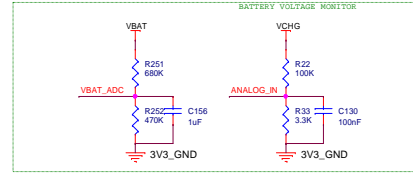
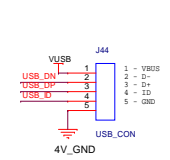
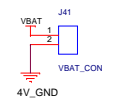
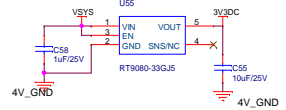
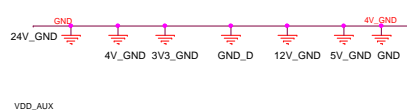
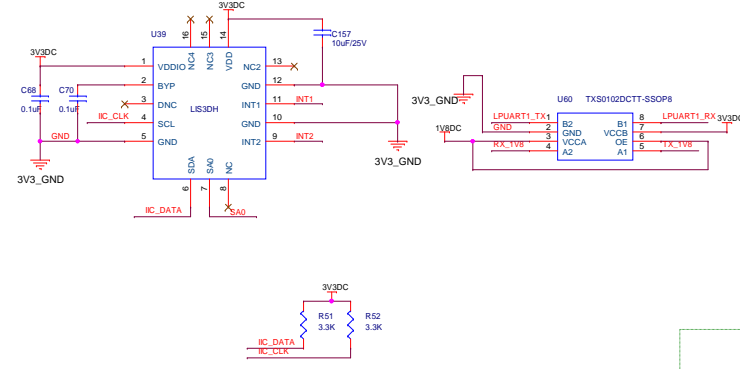
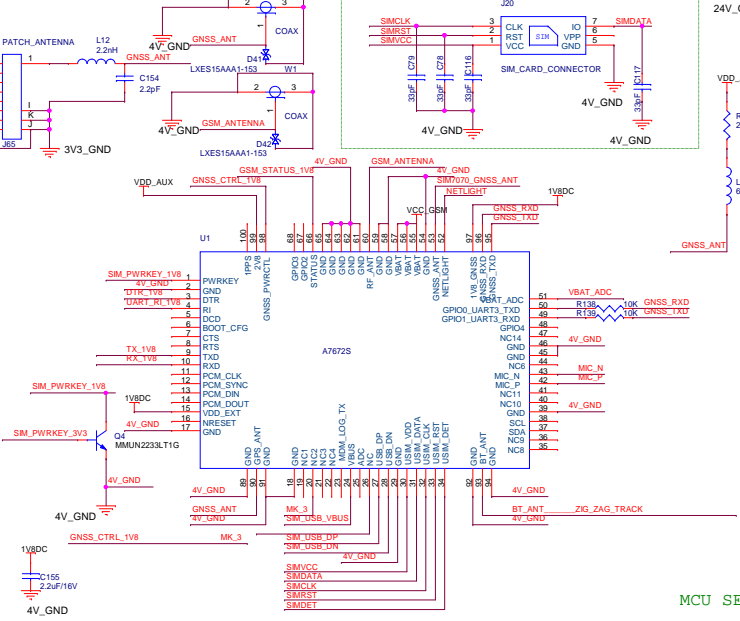


VBAT = 3.9V

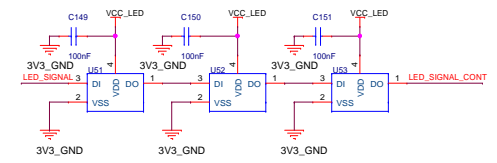
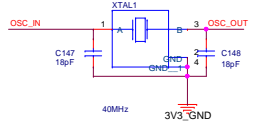
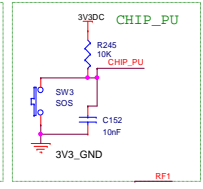
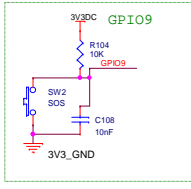
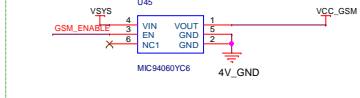
NANO SIM CONNECTOR - PUSH PULL



MCU SECTION



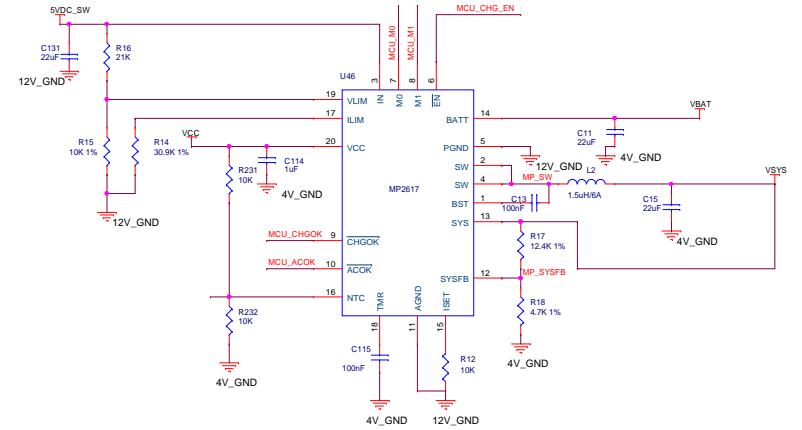
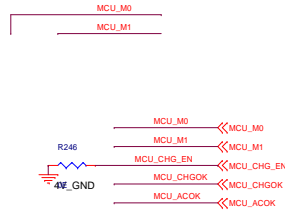
POWER SWITCHES - THICK TRACKS



- Put mounting hole

File	1
Size	Document Number
Date	Thursday, November 03, 2022
Sheet	1 of 2

SUPPLY VOLTAGE (VIN) = 4.5V TO 12V
 Battery voltage (VBAT) = 0 TO 4.2 V
 SYS VOLTAGE (VSYS) = 3.6 TO 4.4 V
 INPUT CURRENT LIMIT (Iin LIMIT) = 2A
 SYS CURRENT (ISYS) = 0-3A
 CHARGE CURRENT (ICHD) = 2A
 VIN CLAMP VOLTAGE (VIN LIMIT) = 4.65V



File	2Tlib	
Size	Document Number	Rev
C	2000	000
Date	Friday, October 21, 2022	Sheet 3 of 3