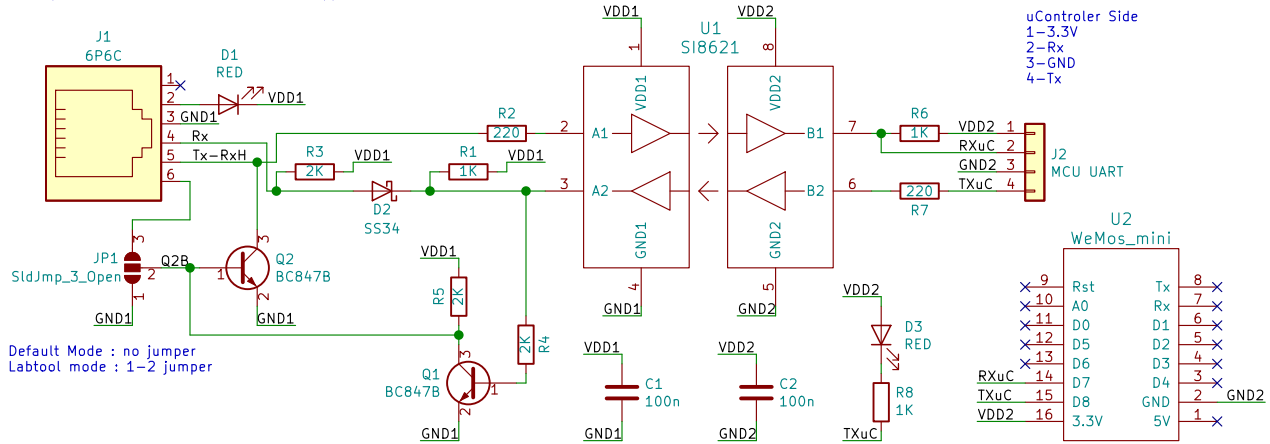


Stove Side
 RJ11 standard
 2-Black
 3-Red
 4-Green
 5-Yellow

RJ11 phone cable are crossed so J1 is flipped



Default Mode : no jumper
 Labtool mode : 1-2 jumper

uController Side
 1-3.3V
 2-Rx
 3-GND
 4-Tx

U2 WeMos_mini

X 9	Rst	Tx	8	X
X 10	A0	Rx	7	X
X 11	D0	D1	6	X
X 12	D5	D2	5	X
X 13	D6	D3	4	X
X 14	D7	D4	3	X
RXuC 14	D7	D4	3	X
TXuC 15	D8	GND	2	GND2
VDD2 16	3.3V	5V	1	X

DomoChip
 Sheet: /
 File: WirelessPalaControl.sch
Title: WPalaControl
 Size: User Date:
 KiCad E.D.A. kicad (5.1.10-1-10_14)

Rev: v1.1
Id: 1/1