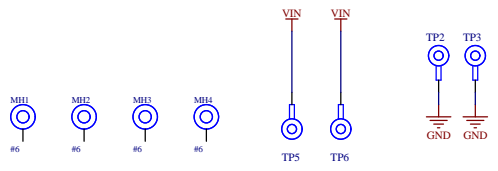
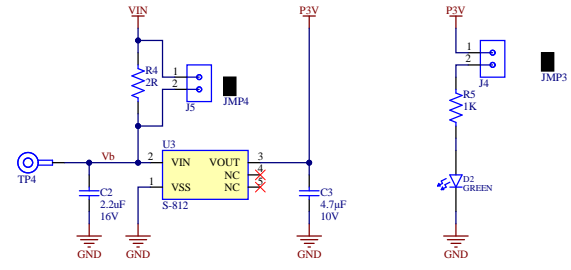
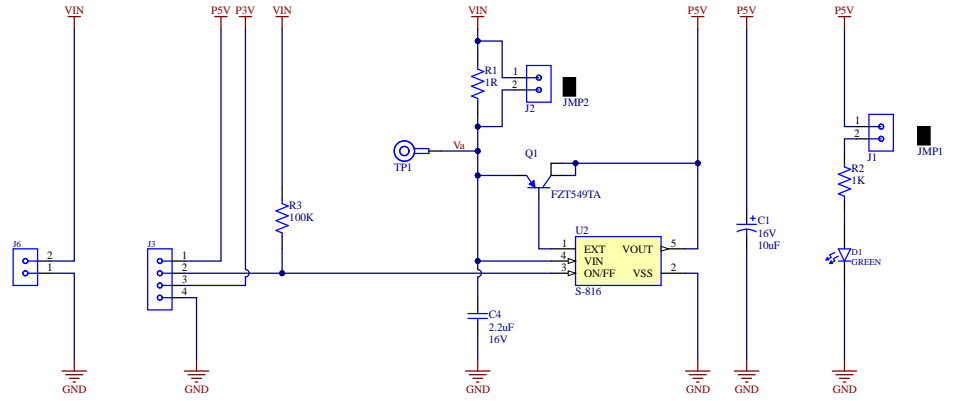



# Voltage Regulation



 Celtic Engineering Solutions, LLC	Project: Regulator Bd.	Sheet Name: Main		
	DWG #: DSN10123	Revision: A0		
	Engineer: S. O'Leary	Date: 8/11/2022	Reviewed by: (Checked by)	Date: (Chk Date)
	<small>Celtic Engineering Solutions, LLC PROPRIETARY. The information contained herein is proprietary and confidential. It may not be reproduced, used, or disclosed without prior written consent of Celtic Engineering Solutions, LLC.</small>			Sheet: 1 of 1
<small>File: CES Working_Drawings - ACTIVE\DSN10123\A0\DSN\Schematics\DSN10123_1.SchDoc</small>				