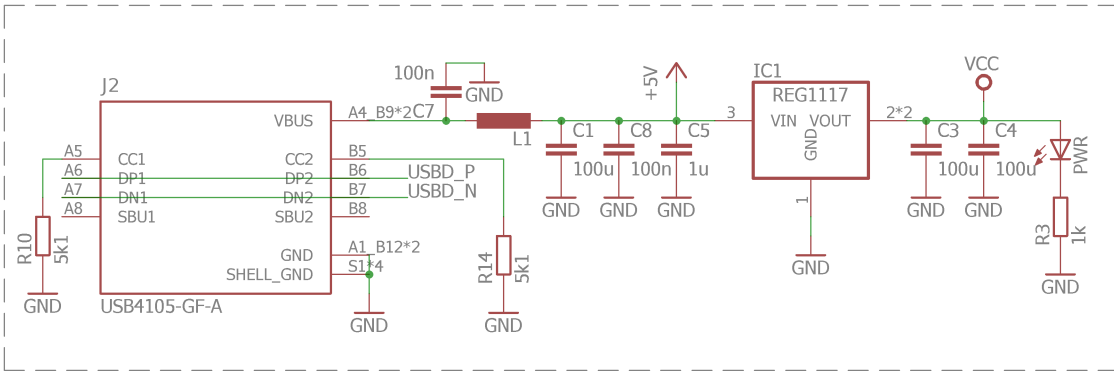
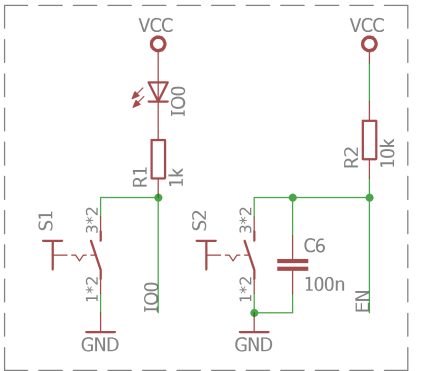


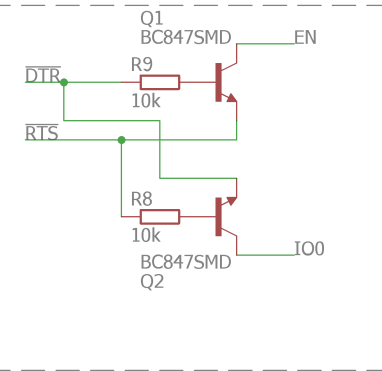
USB C & 3V3 LDO



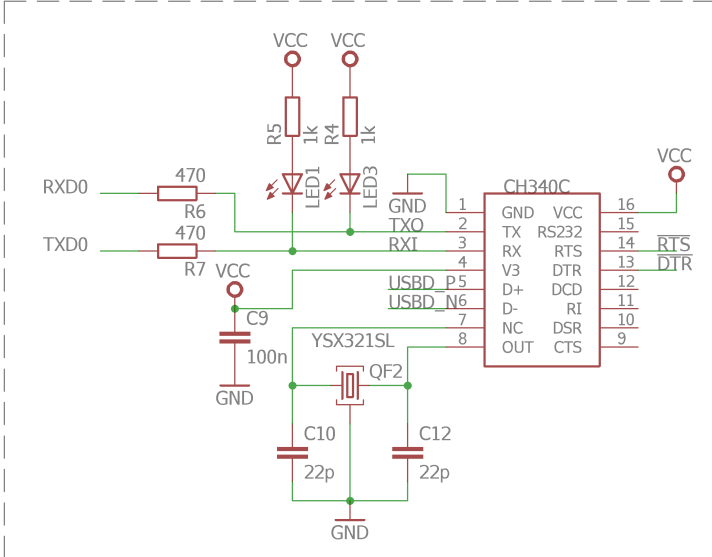
Buttons & IO0 LED



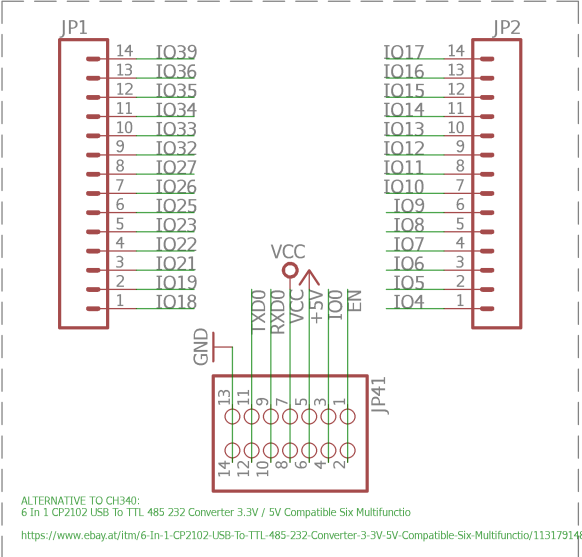
Reset circuitry



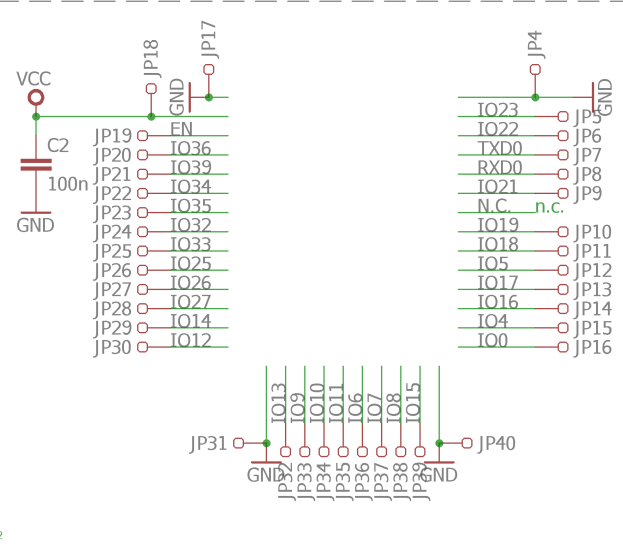
USB to Serial



Pinheaders



ESP32 pogo pins



peter@traunmueller.net

TITLE: ESP32_wroom_USB_programmer_v5

Document Number: REV: 1

Date: 17.01.2022 11:13 Sheet: 1/1