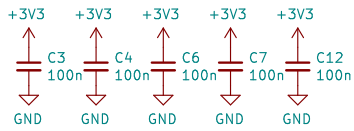
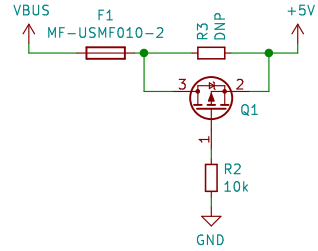


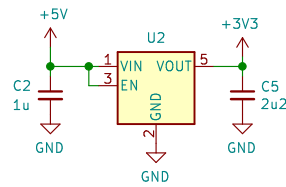
Decoupling Capacitors



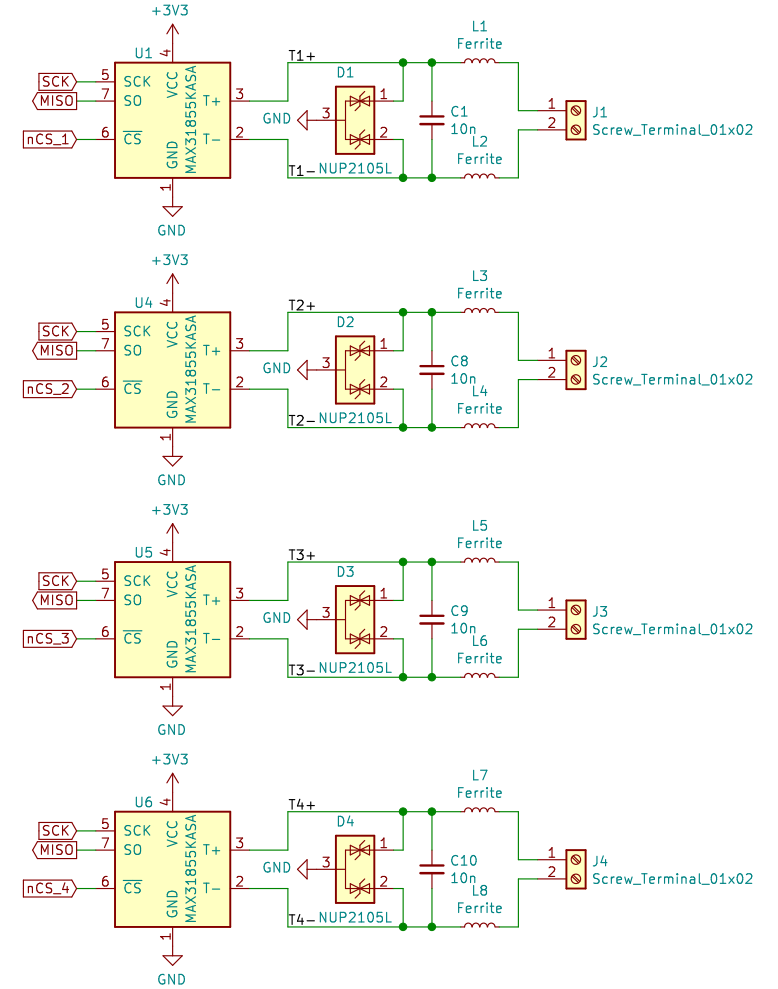
Reverse Voltage Protection



Voltage Regulator



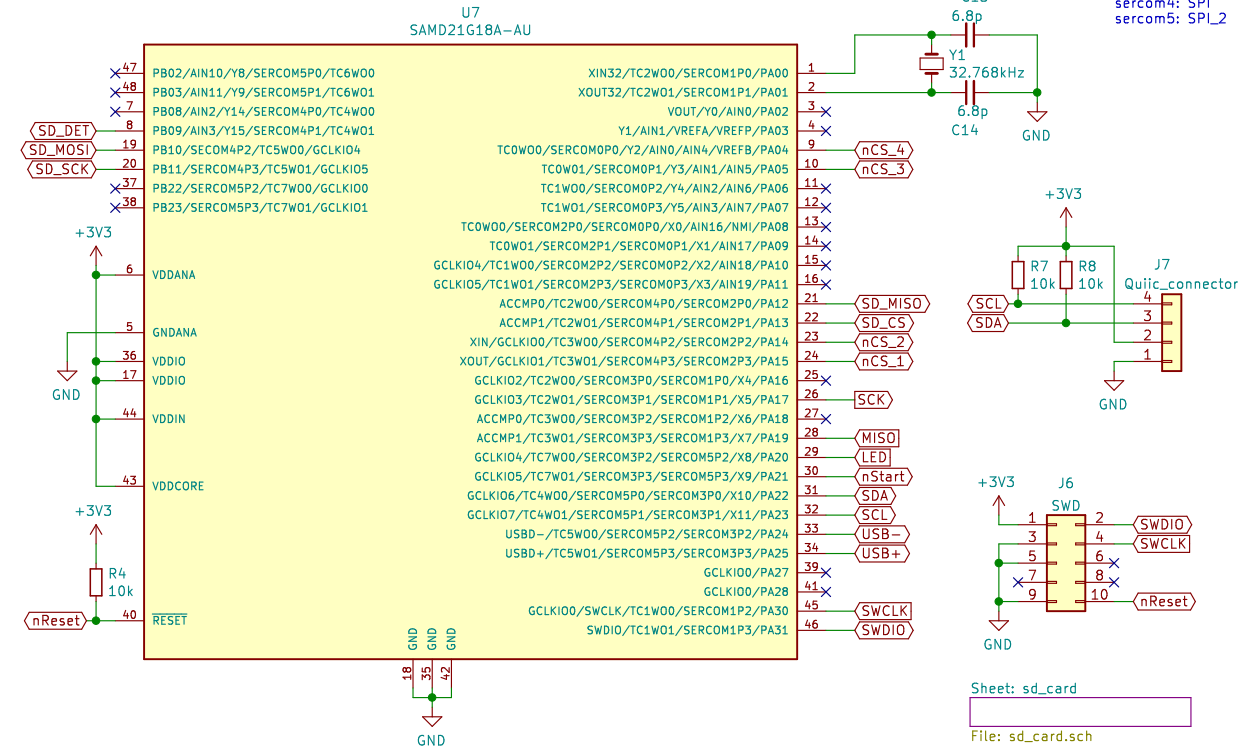
Thermocouple-to-Digital Converter



platform = atmelsam
board = zeroUSB

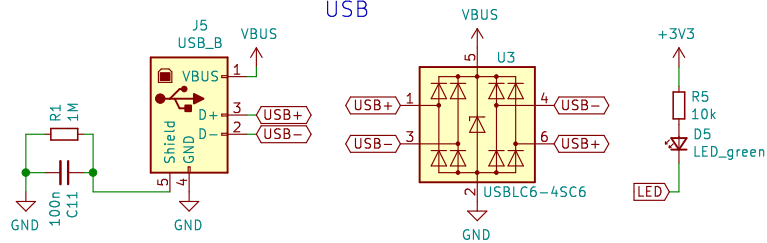
CPU

sercom0: Serial1
sercom1: Serial
sercom2: I2C
sercom4: SPI
sercom5: SPI_2



Sheet: sd_card
File: sd_card.sch

USB



- H1 MountingHole
- H2 MountingHole
- H3 MountingHole
- H4 MountingHole
- H5 Logo
- H6 Fiducial
- H7 Fiducial
- H8 Fiducial

www.kiesel-electronikcs.com

Sheet: /
File: MAX31855.sch

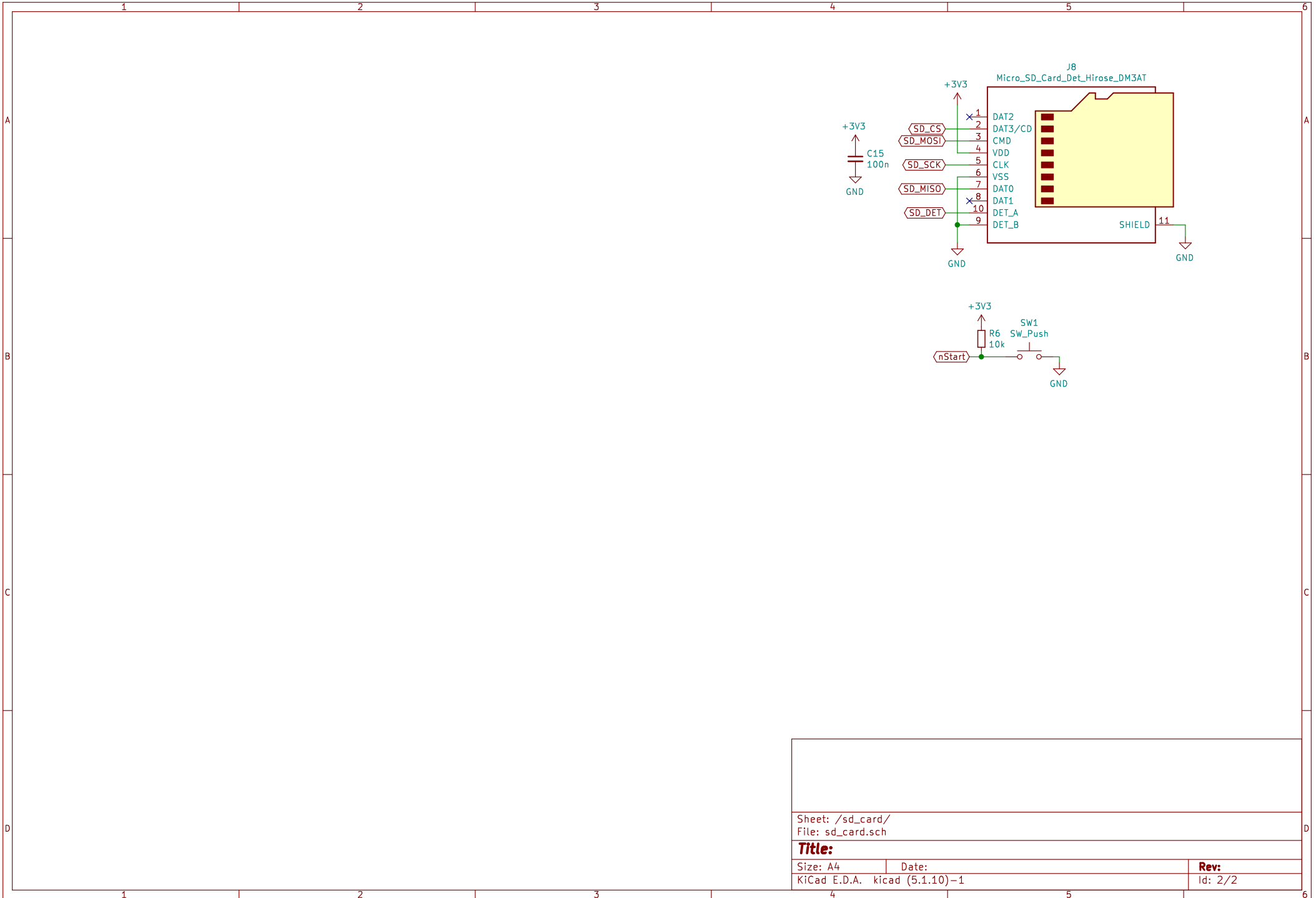
Title: 4 CH Thermocouple USB Interface

Size: A4 Date: 2021-06-17

KiCad E.D.A. kicad (5.1.10)-1

Rev: 1.1

Id: 1/2



Sheet: /sd_card/
File: sd_card.sch

Title:

Size: A4 Date:
KiCad E.D.A. kicad (5.1.10)-1

Rev:
Id: 2/2