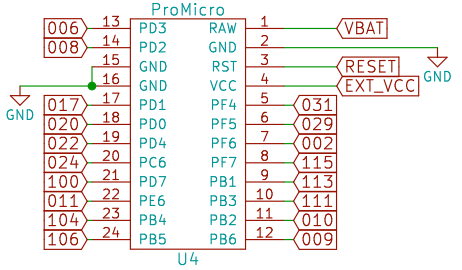
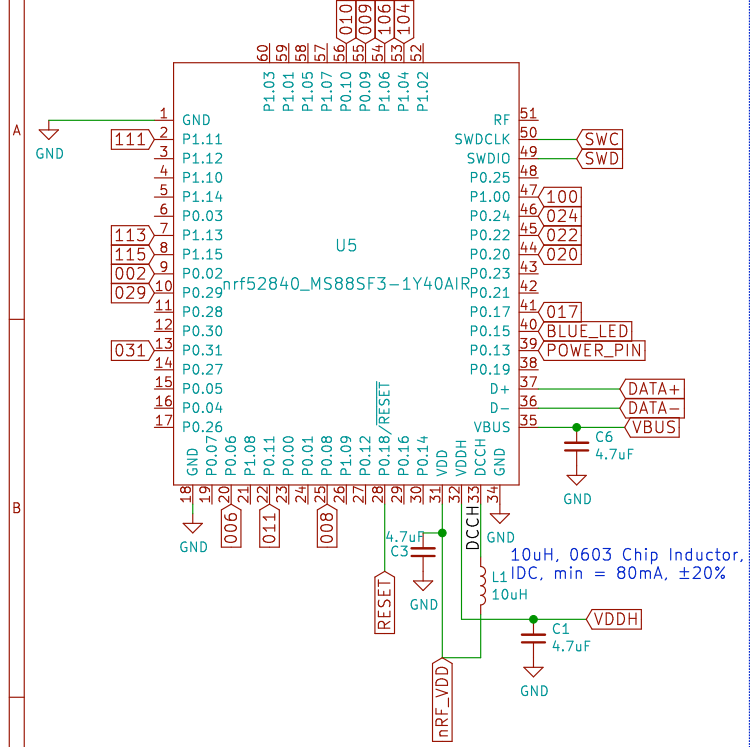
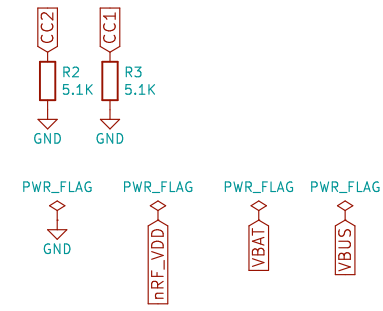
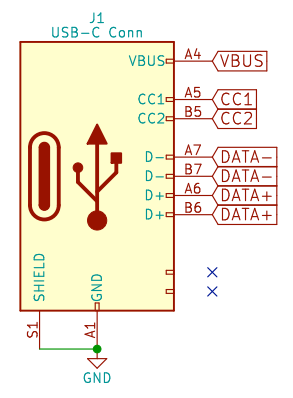
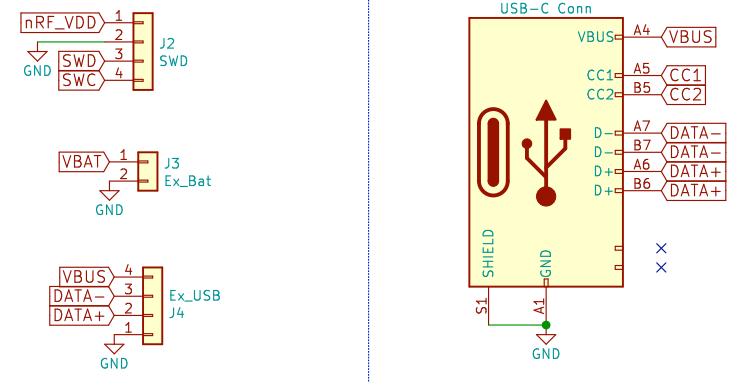


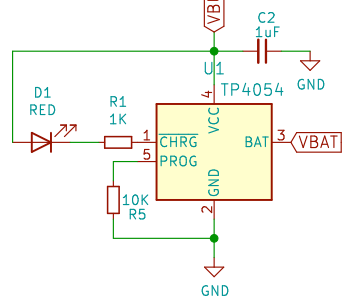
Circuit configuration no. 4 schematic for QIAA aQFNMT73



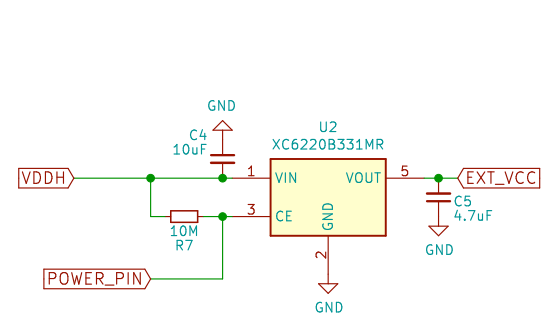
backside programming jumpers



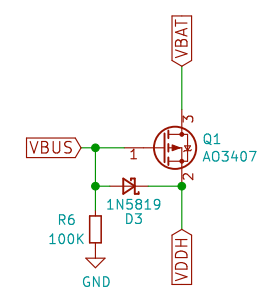
LiPo Charging



EXT_VCC 3.3V LDO and control



Power path selection



Status LED

