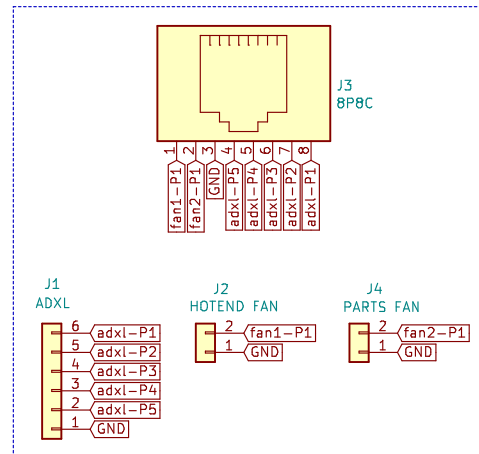
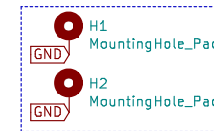


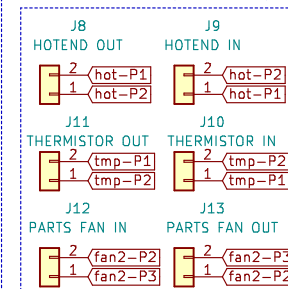
RJ45 + JST-XH Connectors (left)



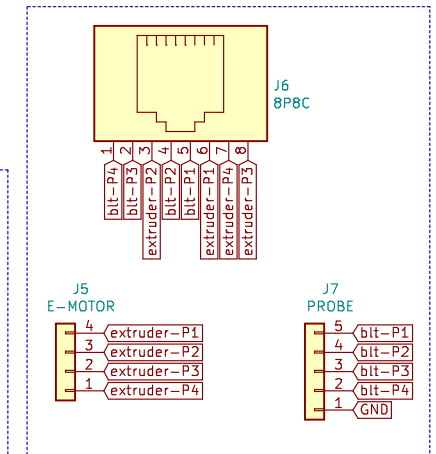
Mounting Holes



JST-VH Connectors (high current)



RJ45 + JST-XH Connectors (right)



License: CC BY-SA 4.0  
 Url: <https://github.com/aw/hw-micro3d>  
 Author: aw  
**On-Prem**  
 Sheet: /  
 File: rj45-3dprinter.sch

**Title:  $\mu$ 3D: RatRig V-Core 3 EVA 2 wiring over RJ45**

Size: A4 Date: 2021-10-06

KiCad E.D.A. kicad 5.1.9+dfsg1-1bpo10+1

Rev: v.2

Id: 1/1