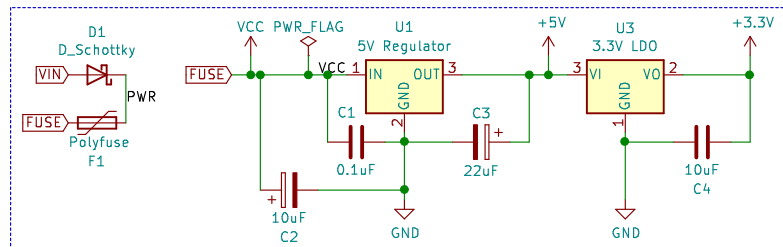
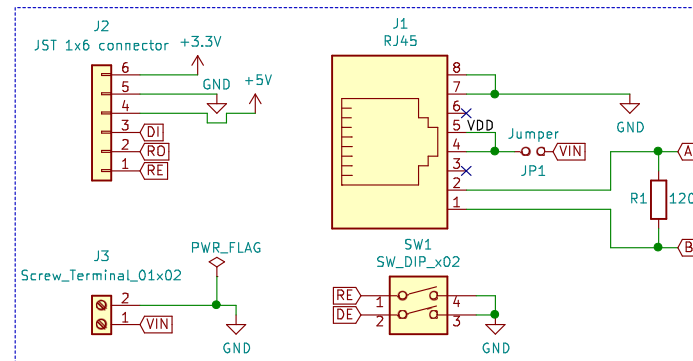


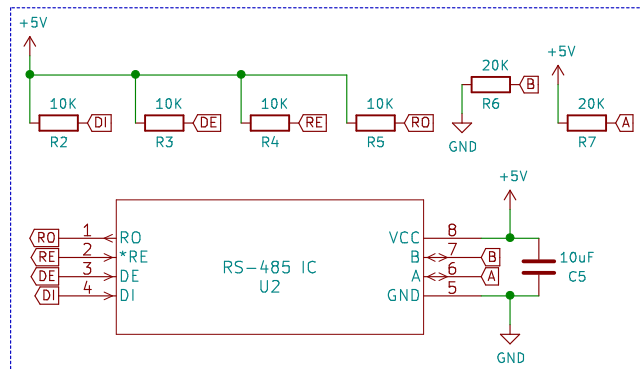
Input Voltage Regulators



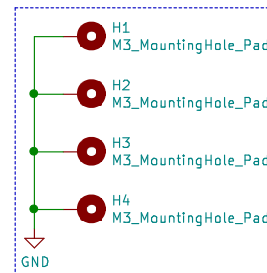
Connectors



RS-485 Transceiver



Mounting Holes



<https://github.com/aw>



Title: RS-485/RJ45 comms

Size: A4

Date: 2021-04-17

Rev: v.03

Id: 1/1