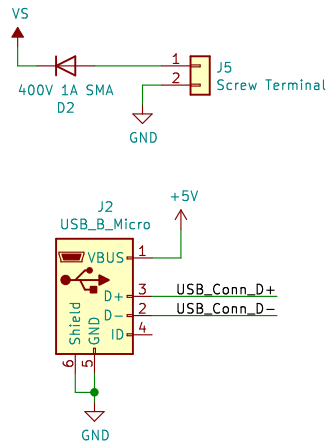
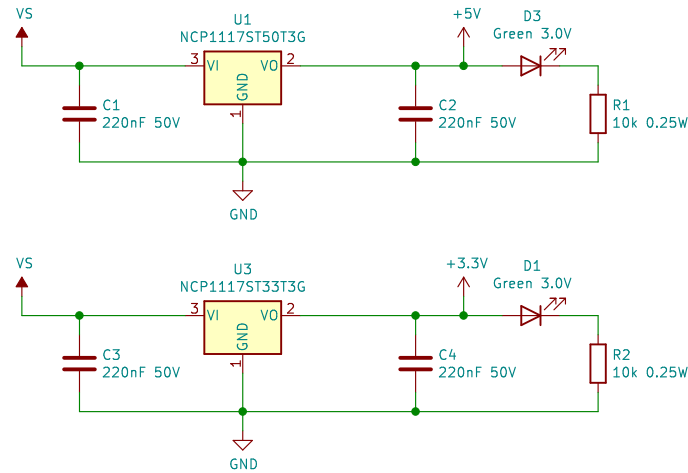


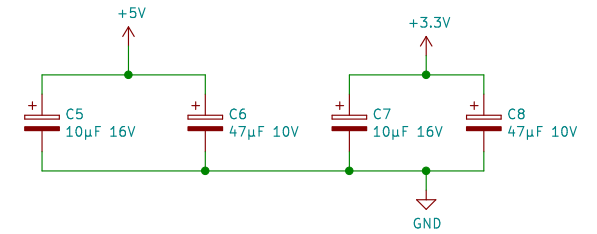
Power Input



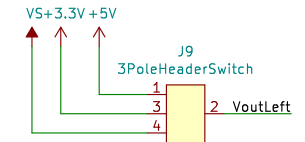
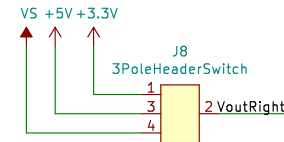
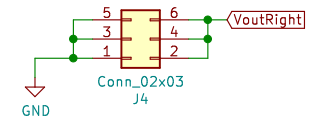
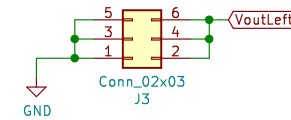
Voltage Regulation



Power Filtering



Output Connectors



Micro Breadboard Power Supply Title

Revision: **A01** Sheet **1** of **1**

License: CERN-OHL-S

<https://github.com/stasiselectronics>