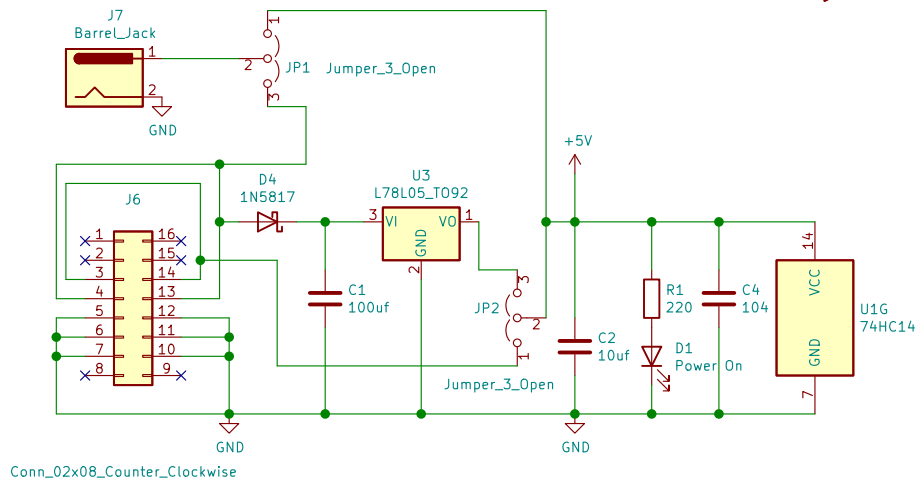


Notes:
 JP1: external power set 1-2 - 5V, 2-3 - 12V
 JP2: eurorack power 1-2 - 5V, 2-3 - 12V



Deftaudio

Sheet: /
 File: midithru4.sch

Title: Eurorack Thru4 DIN

Size: A4 Date:
 KiCad E.D.A. eeschema (5.1.9-0-10_14)

Rev:
 Id: 1/1