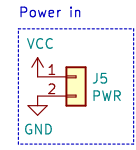
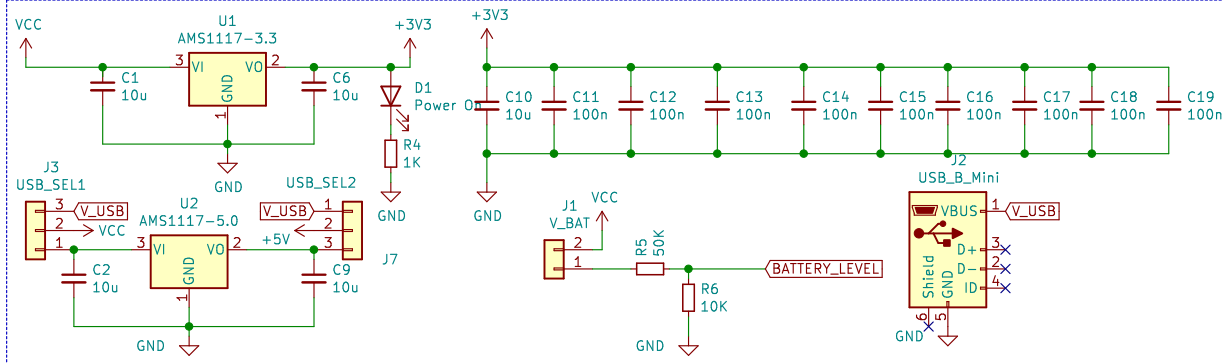
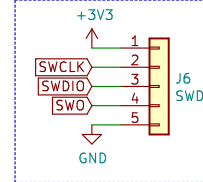


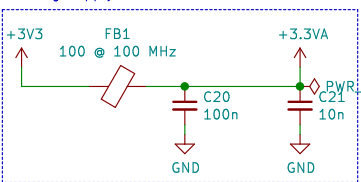
Power supply



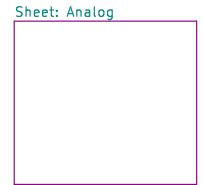
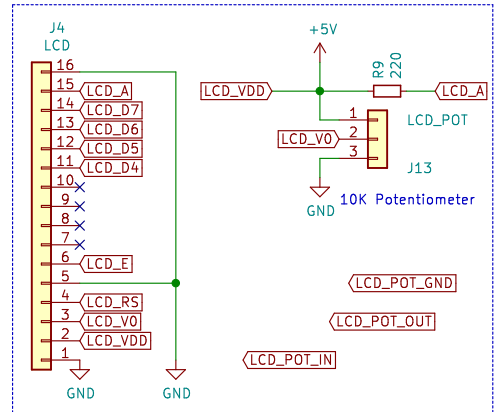
Serial wire debug



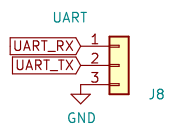
Analog supply



LCD Display

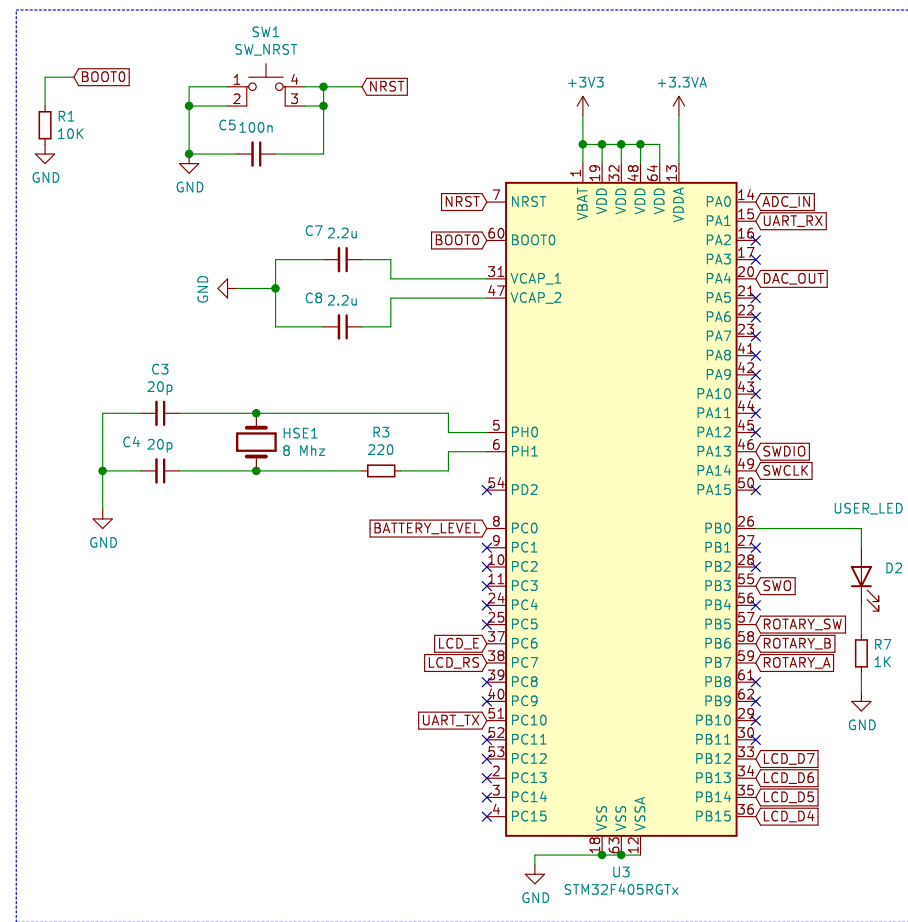
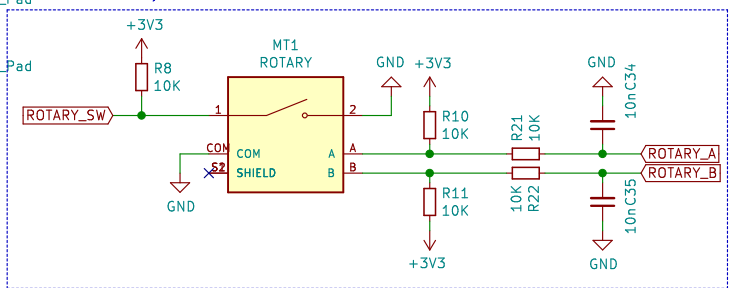


Sheet: Analog
File: analog.sch

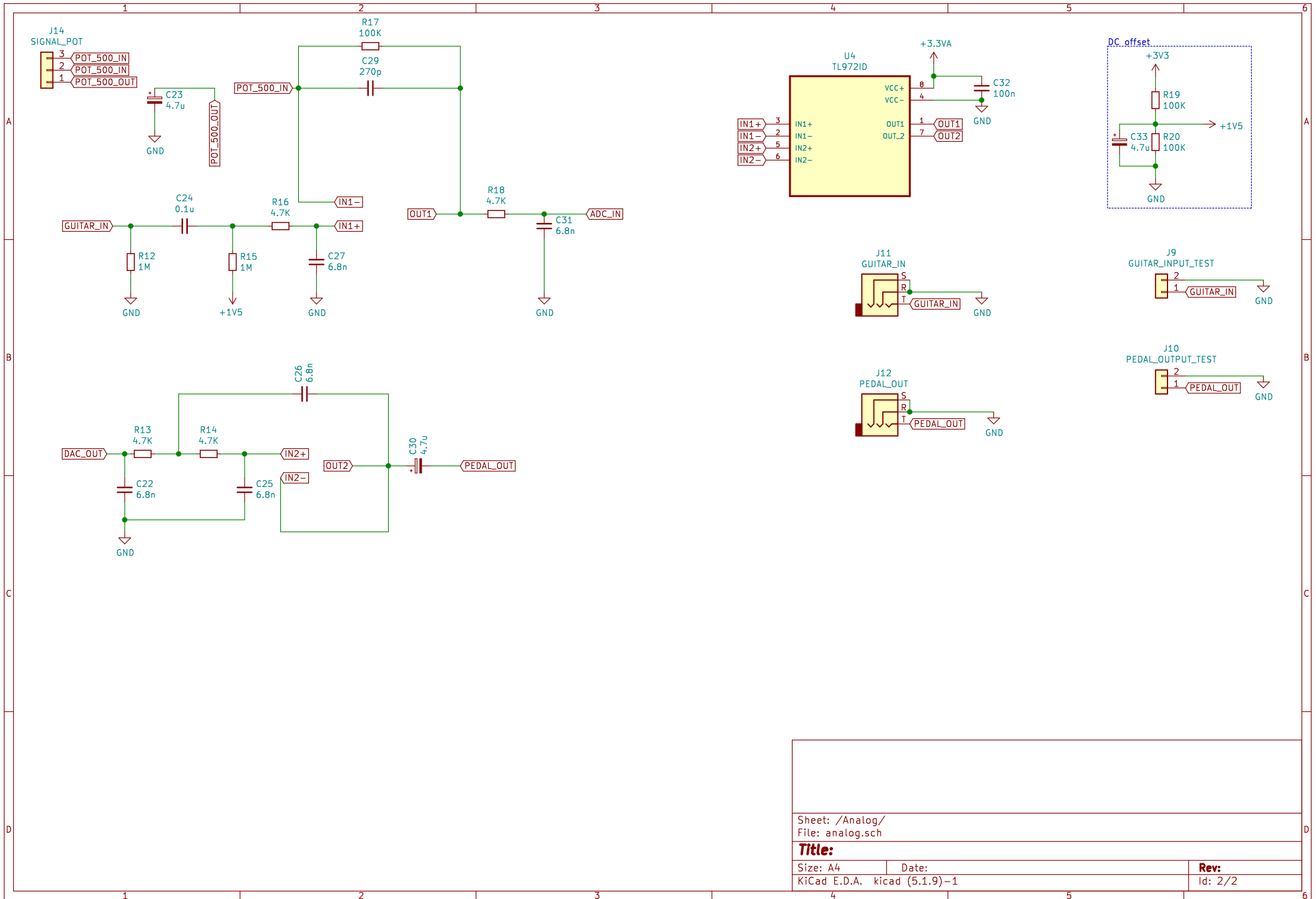


- H1 MountingHole_Pad
- H2 MountingHole_Pad
- H3 MountingHole_Pad
- H4 MountingHole_Pad

Rotary encoder



Sheet: /		Date:	
File: guitar_pedal.sch		Rev:	
Size: A4	KiCad E.D.A. kicad (5.1.9)-1		Id: 1/2



Sheet: /Analog/
File: analog.sch

Title:

Size: A4 Date:
KiCad E.D.A. kicad (5.1.9)-1

Rev:
Id: 2/2