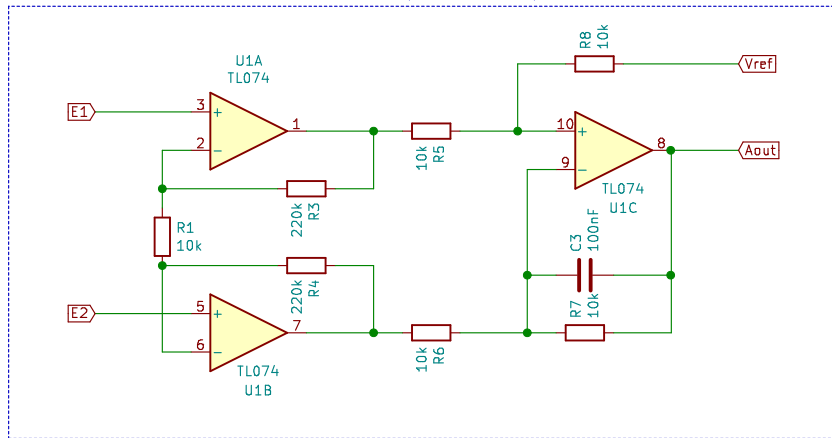
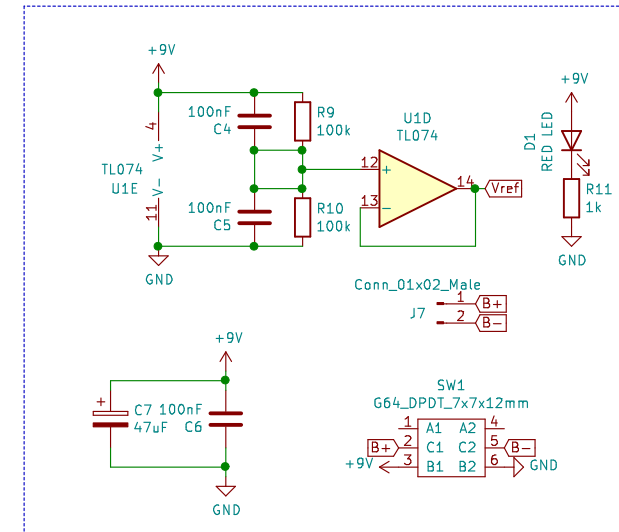


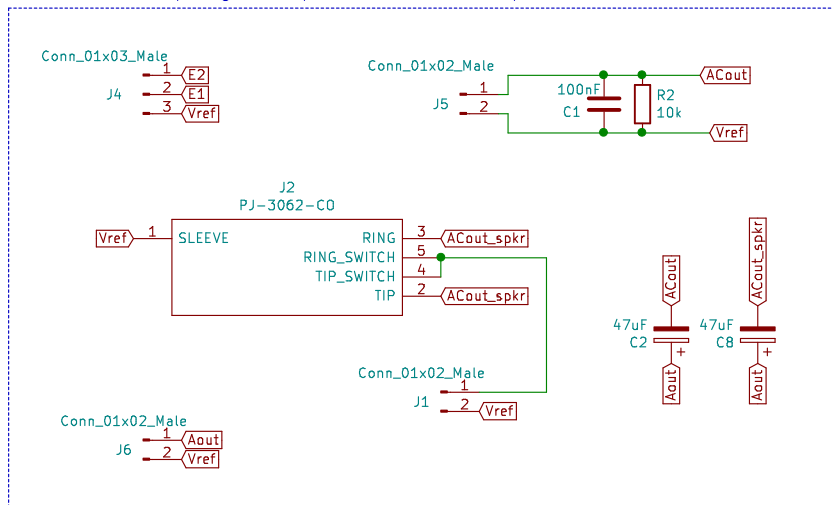
### BioAmp (Gain = 45)



### Power Supply



### BioAmp signal input and audio output connections



Upside Down Labs BioAmp v1.5  
 TL074 based BioPotential Amplifier  
 Single supply BioAmp  
 Compatible with BYB Spike Recorder  
**Upside Down Labs**



Sheet: /  
 File: BioAmp v1.5.sch  
 contact@upside-down-labs.tech

<b>Title: BioAmp v1.5</b>	
Size: A4	Date: 2021-07-29
KiCad E.D.A. kicad 5.1.10-1.fc32	Rev: v1.5.7
	Id: 1/1