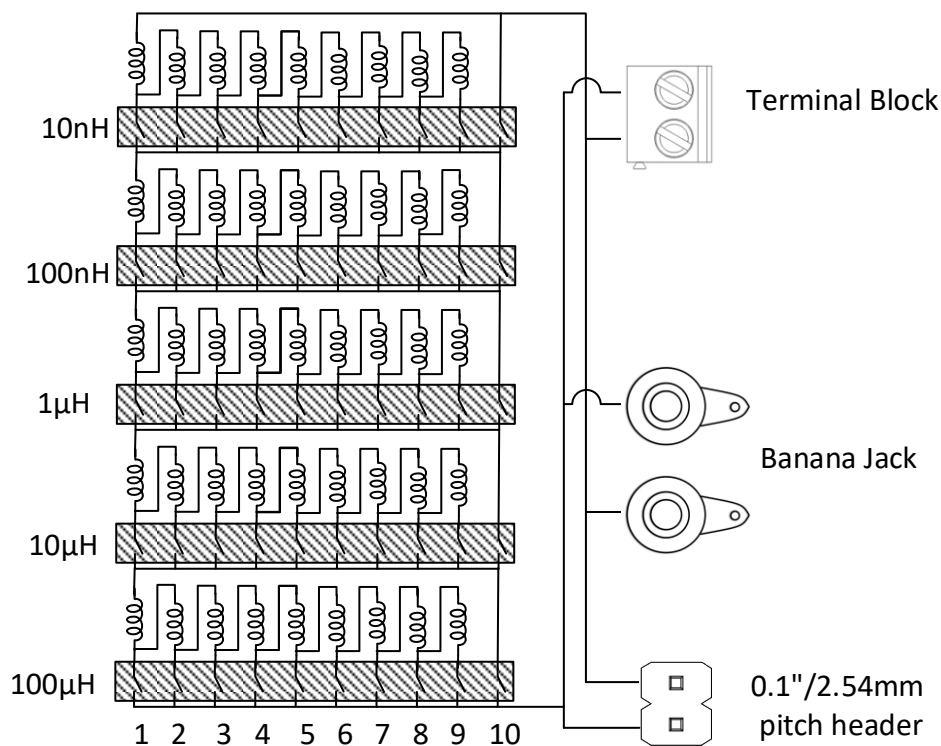




5 Decade Inductor Board 0nH – 1mH



Switch “10” must be in the “ON” position if no other switch is in the “ON” position for a given inductance range

Tolerance

100µH ± 10%

10µH ± 20%

1µH ± 10%

100nH ± 2%

10nH ± 2%

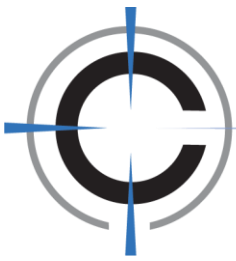
Switch contact rating 24V 25mA (turning switch on/off)

Switch non-contact rating 100mA (not turning switch on/off)

Switch contact rating

Initial: ≤ 50mΩ

End of Life ≤ 100mΩ



Mechanical Dimensions

