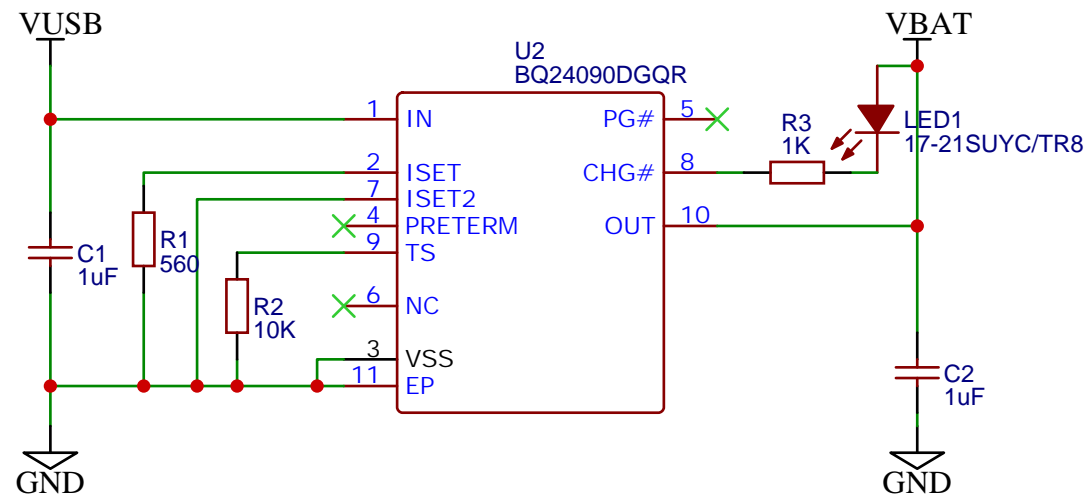
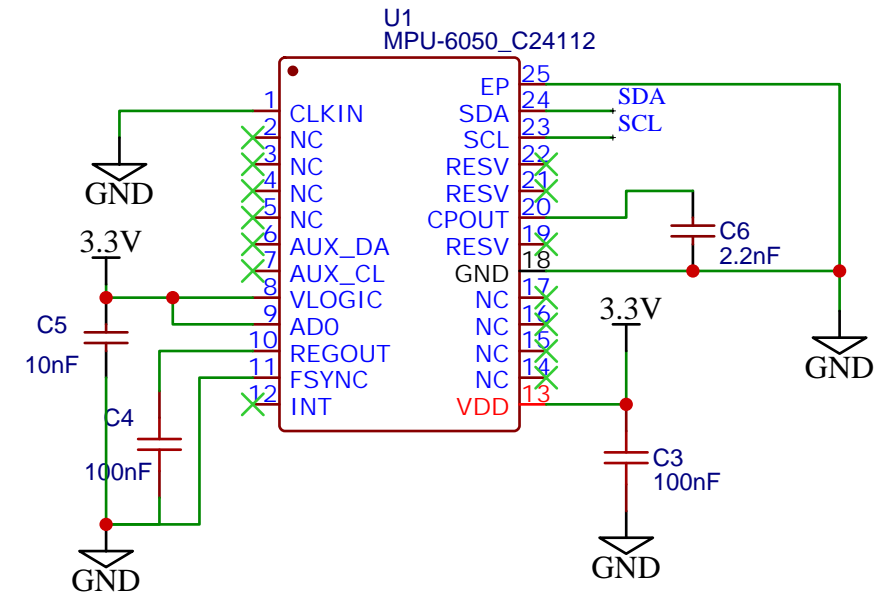


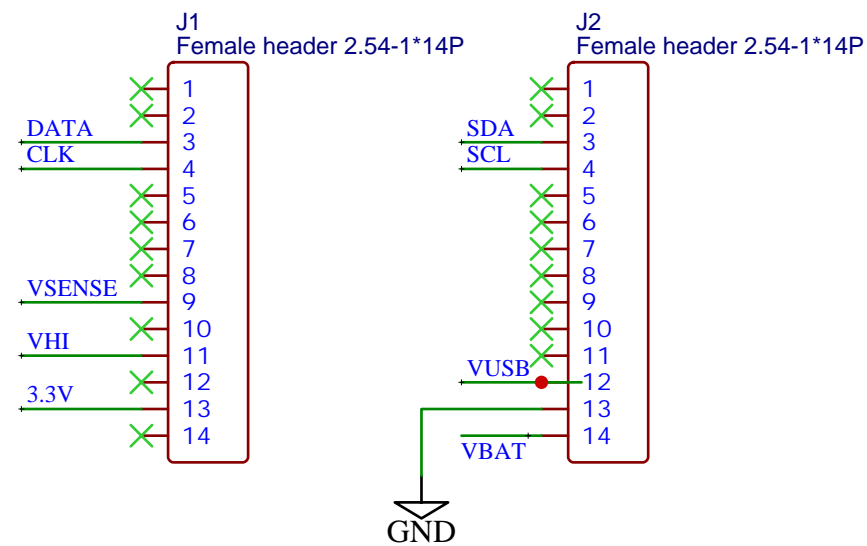
Li-Ion charger  
BQ24090, 1000mA current



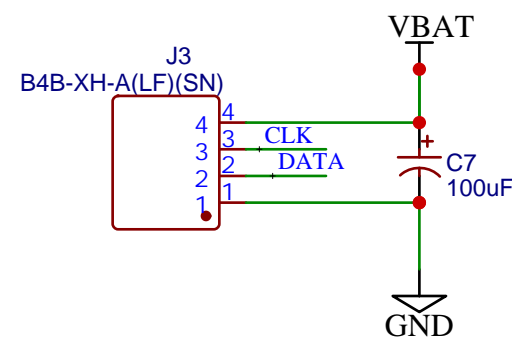
IMU: MPU6050



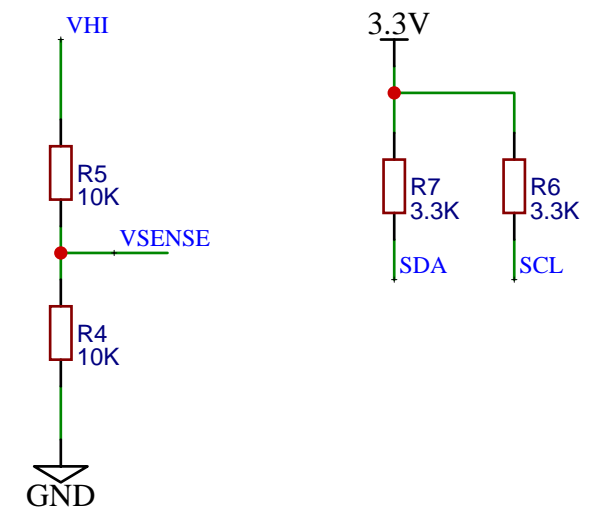
ItsyBitsy headers



JST XH4 header



Pullup/divider resistors



TITLE: POV controller		REV: 2.0
EasyEDA	Company:	Sheet: 1/1
	Date: 2020-10-06	Drawn By: Alexander Kirillov