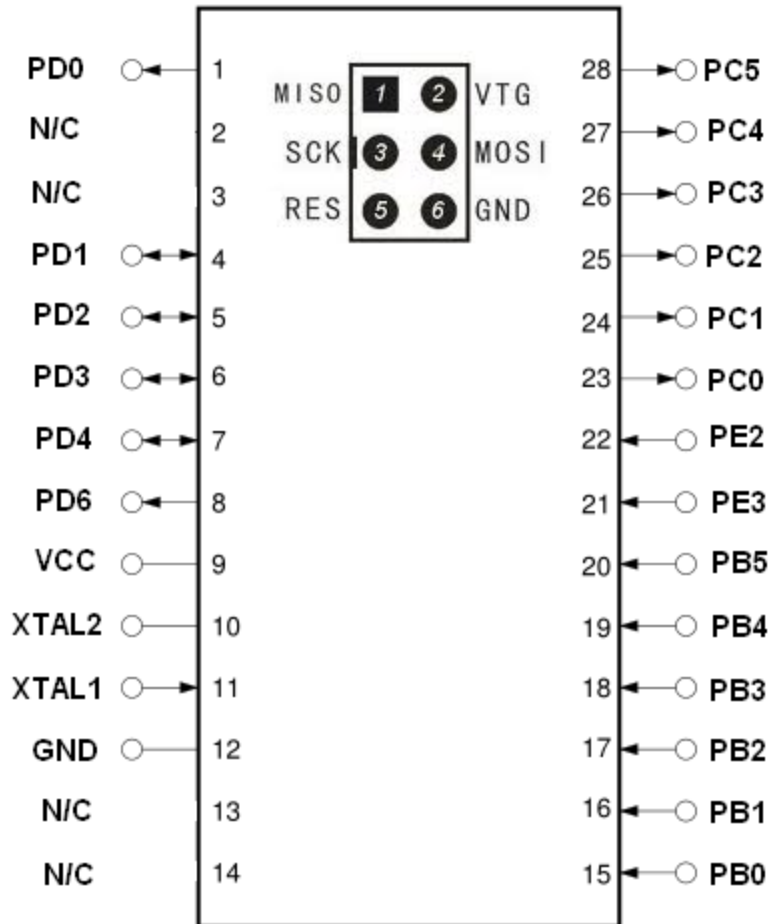


PIN CONFIGURATION (TOP VIEW)

MODULE REPLACES THE FOLLOWING:

- 28-pin plastic SOP (375 mil)
 μ PD17215GT, 17216GT, 17217GT, 17218GT
- 28-pin plastic shrink DIP (400 mil)
 μ PD17215CT, 17216CT, 17217CT, 17218CT



PB0 - PB5 & PE2, PE3 = ROWS (INPUTS)
PC0 - PC5 = COLUMNS (OUTPUTS)
PD0 = COLUMN (OUTPUT ON SOME REMOTES)
PD1 - PD4 = LED'S (OUTPUTS)
PD6 = PWM (OUTPUT)