

50Ω Broadband Bias-T 10 MHz to 6 GHz

Case PN: 6UDE2W6S1A2

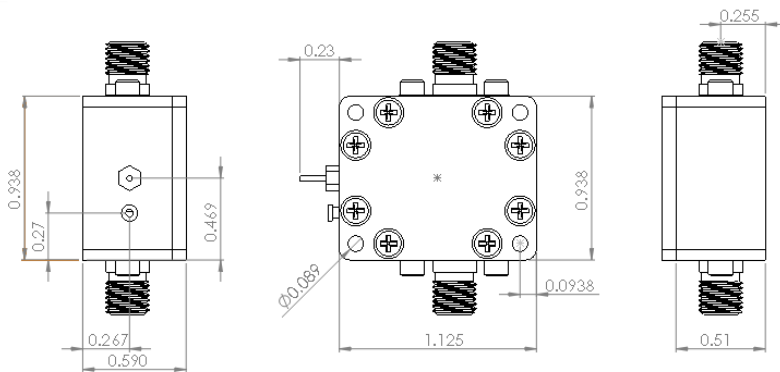
Features:

- **Broadband Performance 10 MHz to 6 GHz**
- **Low DCR and excellent current handling**
- **Ideal for high current bias Tee applications**
- **Compact Size**

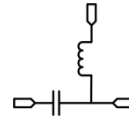
Applications:

- **Biassing Amplifiers**
- **Modulators driven with high frequency data patterns**

Outline Drawing (inch)



Electrical Schematic

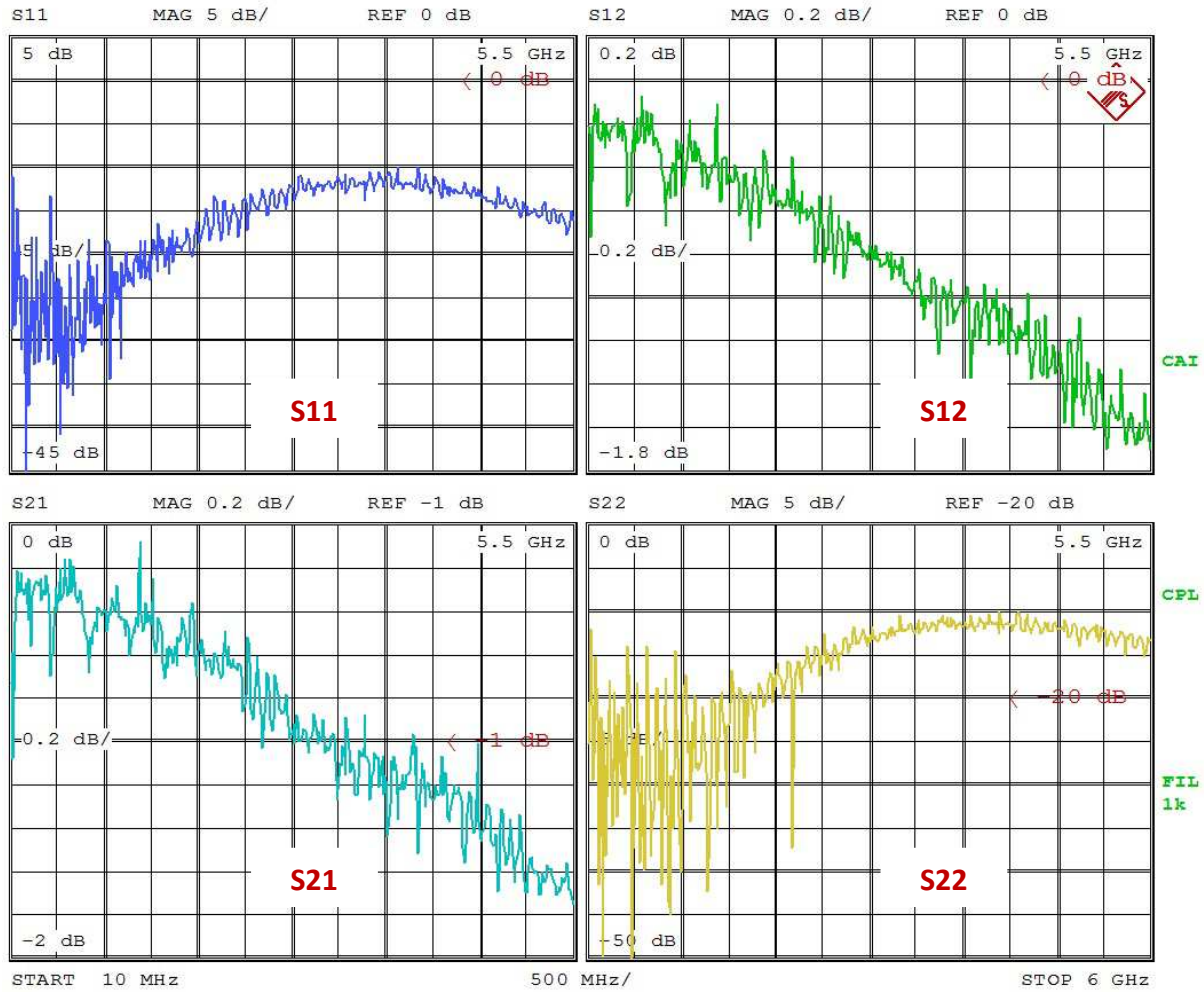


Electrical Specifications:

Item	Parameter	Conditions	Min	Typ	Max	Units
1	Operational Frequency Range		10		6000	MHz
2	DC Current	20°C rise			2300	mA
3	DC Voltage				50	V



S-Parameters



Date: 9.JUN.17 17:57:02

