

50Ω Broadband Bias-T 10 MHz to 6 GHz

Case PN: 6UDE2W6S1A2

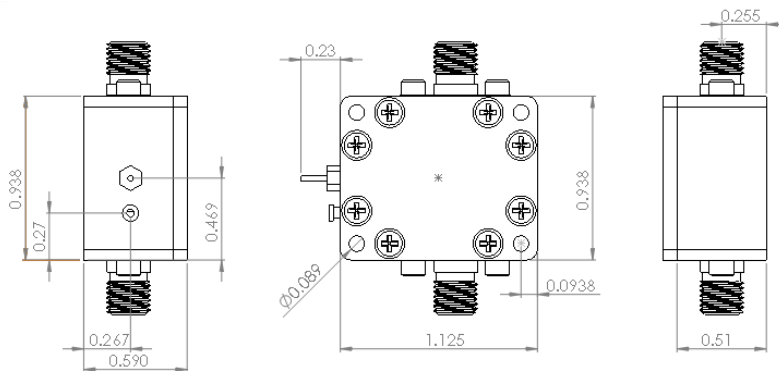
Features:

- Broadband Performance 10 MHz to 6 GHz
- Low DCR and excellent current handling
- Ideal for high current bias Tee applications
- Maximum 2.3A DC current and 100V DC
- Compact Size

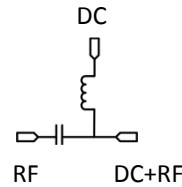
Applications:

- Biasing Amplifiers
- Modulators driven with high frequency data patterns

Outline Drawing (inch)



Electrical Schematic



Electrical Specifications:

| Item | Parameter | Conditions | Min | Typ | Max | Units |
|------|-----------------------------|------------|-----|-----|------|-------|
| 1 | Operational Frequency Range | | 10 | | 6000 | MHz |
| 2 | DC Current | 20°C rise | | | 2300 | mA |
| 3 | DC Voltage | | | | 100 | V |

S-Parameters

