

50Ω Broadband Bias-T 10 MHz to 6 GHz

Case PN: 6UDE2W6S1A2

Features:

- Broadband Performance 10 MHz to 6 GHz
- Low DCR and excellent current handling
- Ideal for high current bias Tee applications
- DC Voltage – 100V

Applications:

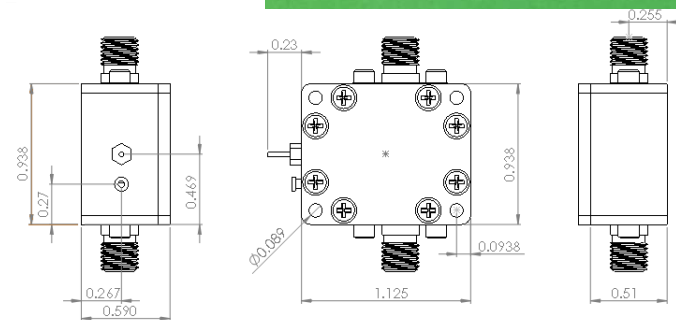
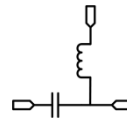
- Biasing Amplifiers
- Modulators driven with high frequency data patterns

Outline Drawing (inch)

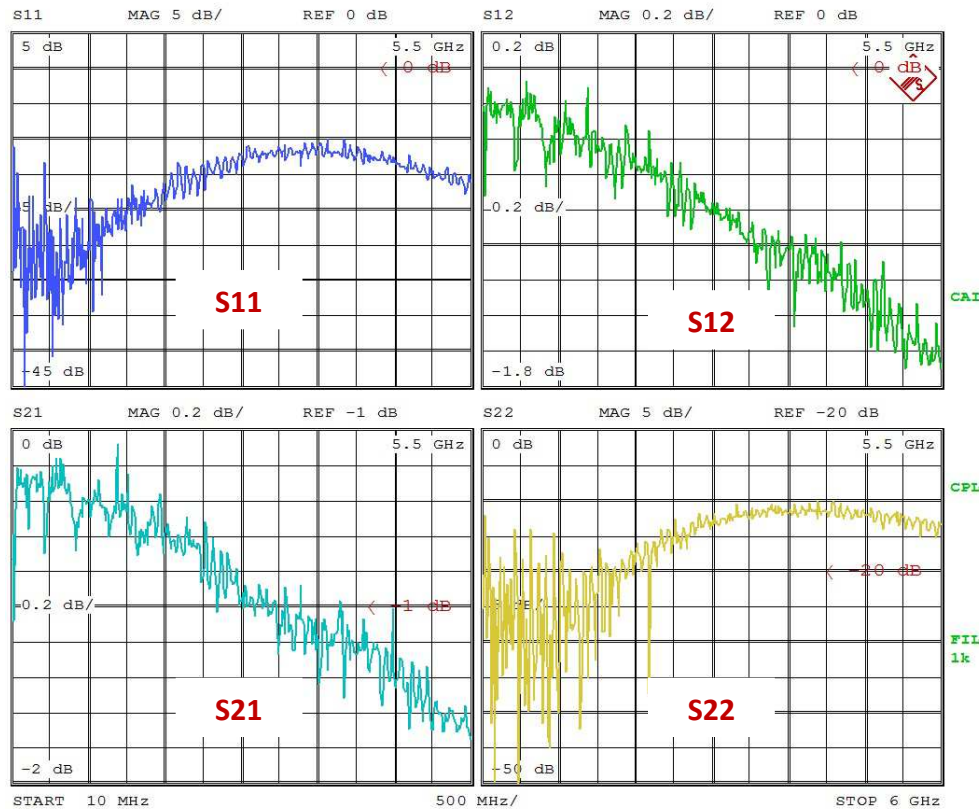
Electrical Specifications:

Item	Parameter	Min	Typ	Max	Units
1	Freq. Range	10		6000	MHz
2	DC Current			1200	mA
3	DC Voltage			100	V
4	RF Power Max.			2	W
5	DC Resistance			0.2	Ohm

Electrical Schematic



S-Parameters



Date: 9.JUN.17 17:57:02



Lotus Communication Systems, Inc.

www.lotussys.com 588 Boston Post Rd., Weston, MA 02493 (888) 236-8588 sales@lotussys.com

Rev. A BT10M6G1P2A100V