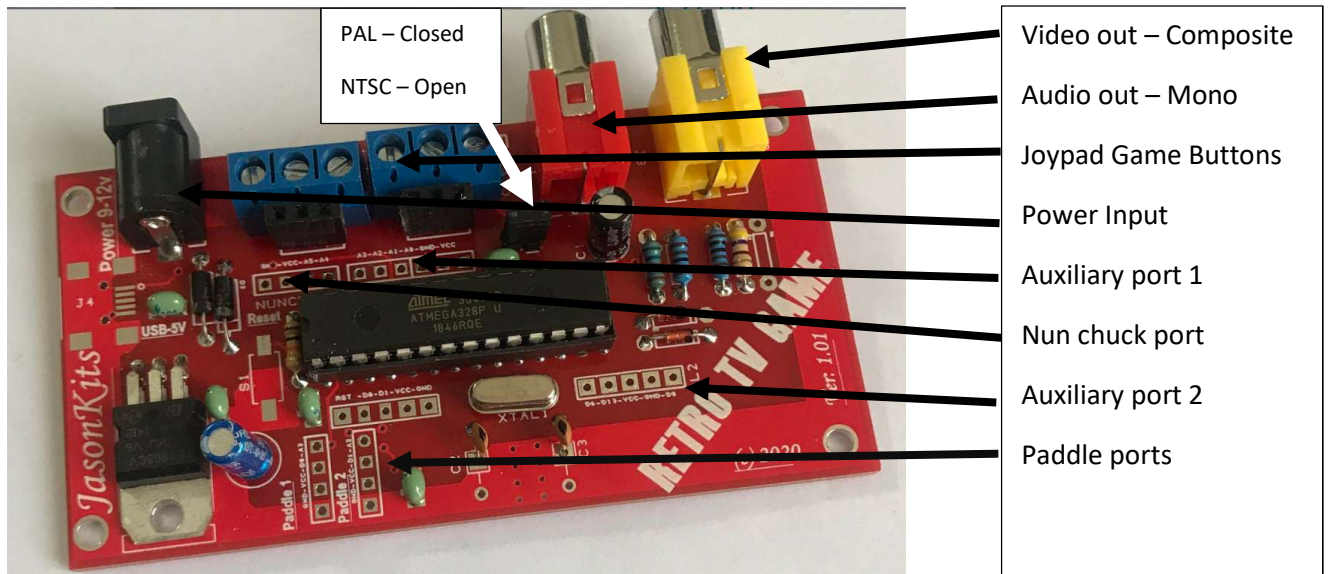


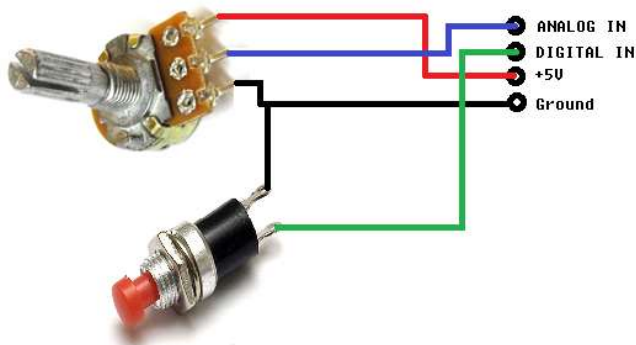
Retro T.V Game - User Manual

Board Layout



Paddle Wiring

Wire the paddle components as per diagram.



Operating Instructions

1. Connect Board to T.V. If using external Button switches or paddles, make sure all connections are sound.
2. Apply power.
3. Turn T.V. to AV1 and enjoy!